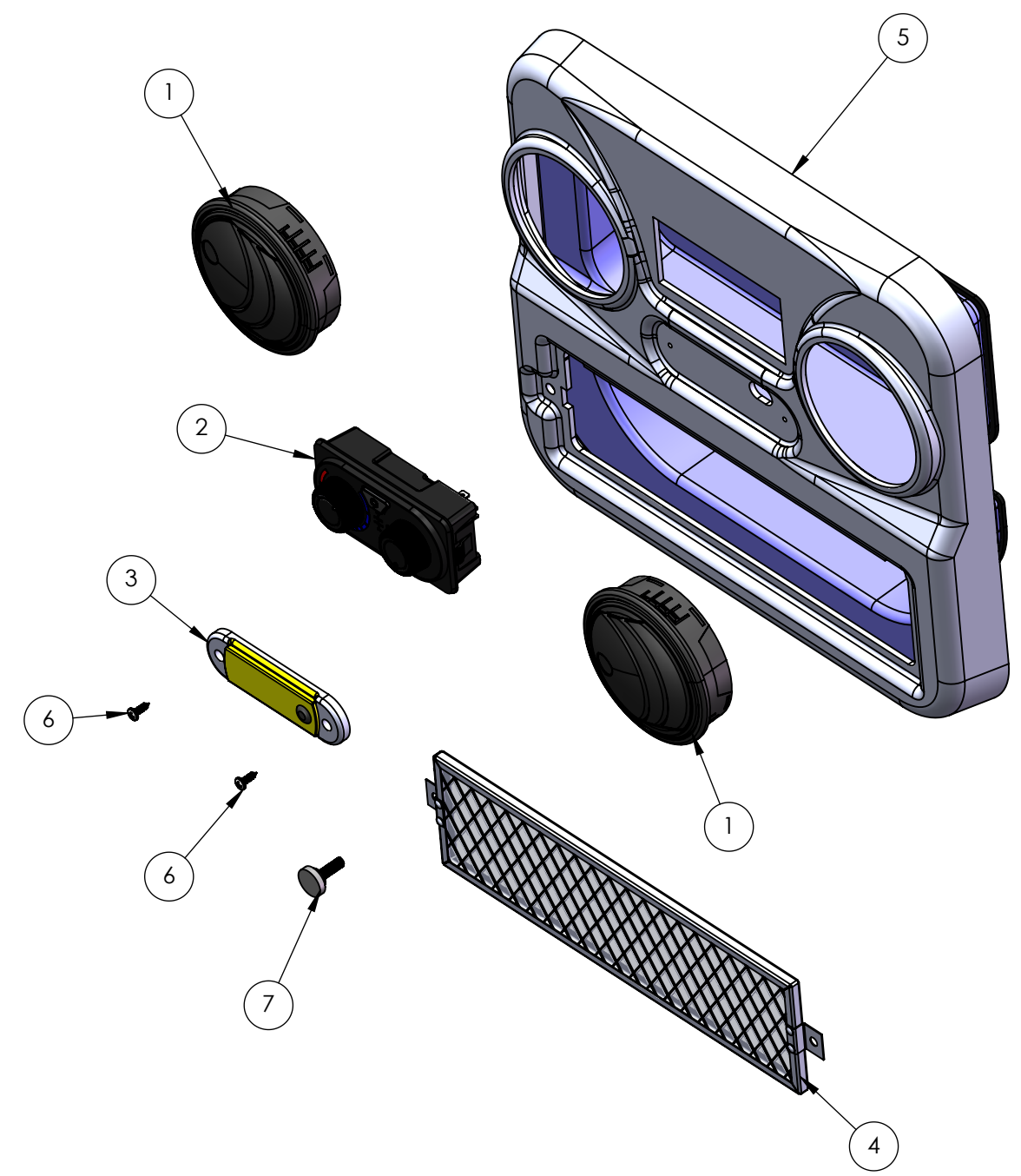


NOTES:

- THIS DRAWING 90-7053-004-3 AND MODEL 34-7053-101 ARE REQUIRED FOR COMPLETE PRODUCT DEFINITION. MODEL AND DRAWING REVISION LEVEL SHOULD BE THE SAME.

REVISIONS						
ECR	REV.	DESCRIPTION	DATE	DR.	AUTH.	CHK.
4142	0	INITIAL RELEASE	12/12/2023	MO	AS	AS



ITEM NO.	PART NUMBER	DESCRIPTION	QTY.
7	V201-0014	THUMB SCREW - ROUND	1
6	36-0000-480	#8 X 1/2" PTH BLK SMS	2
5	32-7055-003-00	BEZEL ASSEMBLY, ABS	1
4	15-10-1022	FILTER, 12.5" X 3.50"	1
3	12-59-7000	LIGHT, LED, 12V MAP LIGHT	1
2	12-56-1005	MECHANICAL CONTROLLER, VISIONAIRE	1
1	12-40-1222	KALORI LOUVER, Dia 4.25" , HOLE DIA 3.95"	2

IMPERIAL INCH FORMAT: UNLESS OTHERWISE SPECIFIED DIMENSIONS ARE IN INCHES WITH METRIC CONVERSION IN [MILLIMETERS]		INTERPRET GEOMETRIC TOLERANCING PER: ASME Y14.5-2009		VISIONAIRE, INC. 1401 VALLEY VIEW LN #135 IRVING, TX 75061	
UNLESS OTHERWISE SPECIFIED TOLERANCES ON: .00DEC .000DEC DEC ANG ±.04 ±.020 ±XXX ±2°		DRAWN	MO	TITLE: 34-7053-101-PARTS BREAKDOWN	
[.0]DEC [0.0]DEC DEC ±[1.0] ±[.5] ±[XXX]		CHECKED	AS	REV 0	
SURFACES HOLE DIA HOLE SPACING HOLE LOC AA ±.005 ±.015 ±.03 [±.13] [±.38] [±.8]		ENG APPR.	AS	SCALE: 1:4	
DIMENSION IN (PARENTHESIS) ARE FOR INFORMATION ONLY. CRITICAL DIMENSIONS MARKED WITH (C)		THIRD ANGLE PROJECTION		SHEET 1 OF 1	
MATERIAL SEE NOTES		PROPRIETARY AND CONFIDENTIAL THE INFORMATION CONTAINED IN THIS DRAWING IS THE SOLE PROPERTY OF VISIONAIRE, INC. ANY REPRODUCTION IN PART OR AS A WHOLE WITHOUT THE WRITTEN PERMISSION OF VISIONAIRE, INC. IS PROHIBITED.		DWG. NO. 90-7053-004-3	
DO NOT SCALE DRAWING					

34-7052-101: BEZEL ASSEMBLY, ALL ELECTRIC ROOFTOP, 24V