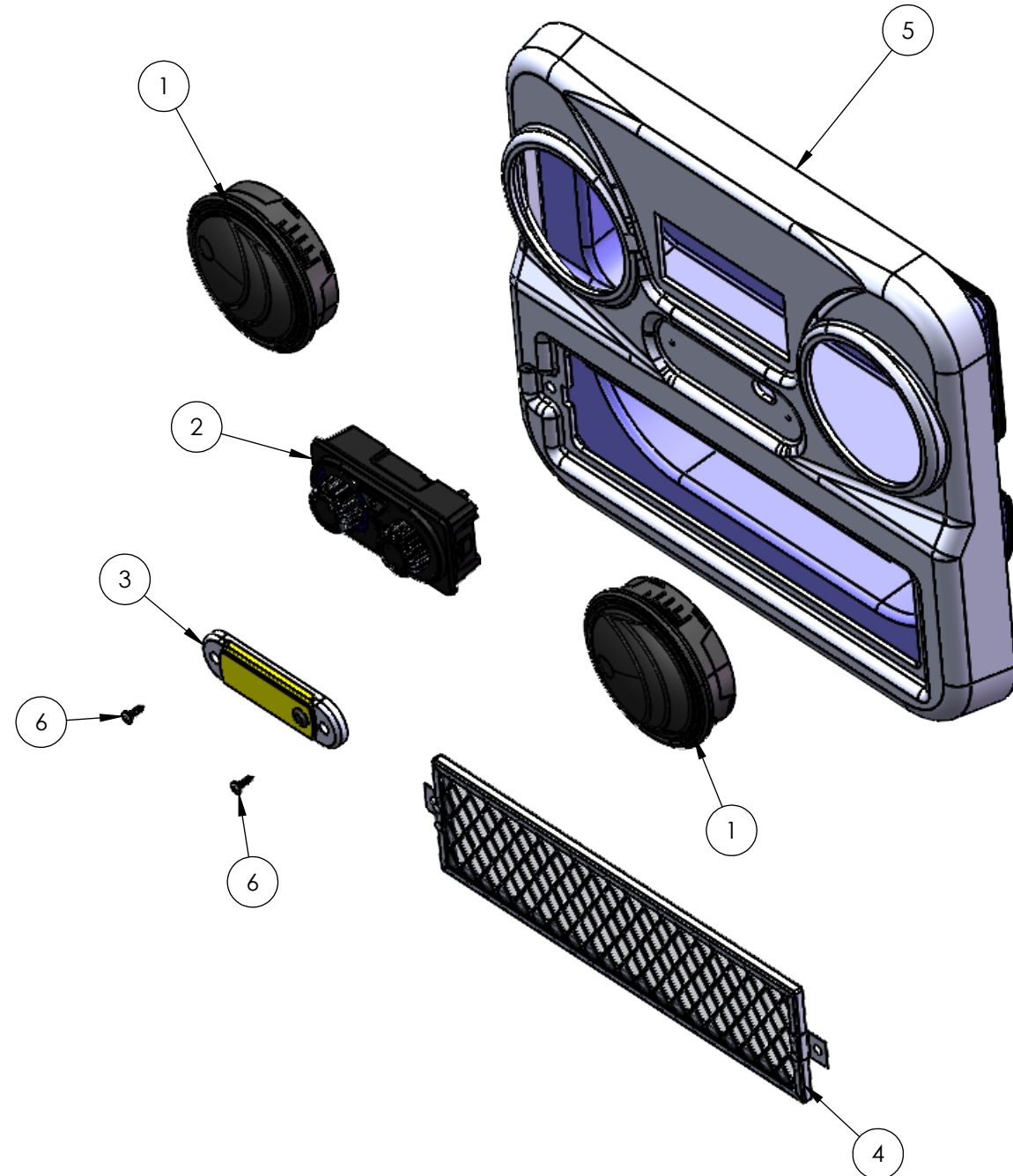


NOTES:

1. THIS DRAWING 90-7052-004-3 AND MODEL 34-7052-101 ARE REQUIRED FOR COMPLETE PRODUCT DEFINITION. MODEL AND DRAWING REVISION LEVEL SHOULD BE THE SAME.

REVISIONS						
ECR	REV.	DESCRIPTION	DATE	DR.	AUTH.	CHK.
4070	0	INITIAL RELEASE	9/25/2023	MO	AS	AS



ITEM NO.	PART NUMBER	DESCRIPTION	QTY.
6	36-0000-480	#8 X 1/2" PTH BLK SMS	2
5	32-7055-003-00	BEZEL ASSEMBLY, ABS	1
4	15-10-1022	FILTER, 12.5" X 3.50"	1
3	12-59-7000	LIGHT, LED, 12V MAP LIGHT	1
2	12-56-1017	CONTROLLER, NEO2, GL-P8HHA203 - COOLING ONLY	1
1	12-40-1222	KALORI LOUVER, Dia 4.25" , HOLE DIA 3.95"	2

IMPERIAL INCH FORMAT: UNLESS OTHERWISE SPECIFIED DIMENSIONS ARE IN INCHES WITH METRIC CONVERSION IN [MILLIMETERS]		INTERPRET GEOMETRIC TOLERANCING PER: ASME Y14.5-2009	
UNLESS OTHERWISE SPECIFIED TOLERANCES ON: .00DEC .000DEC DEC ANG ±.04 ±.020 ±XXX ±2°		NAME	DATE
[.0]DEC [.00]DEC DEC ±[1.0] ±[.5] ±[XXX]		DRAWN	MO 9/25/23
SURFACES HOLE DIA HOLE SPACING HOLE LOC AA ±.005 ±.015 ±.03 [±.13] [±.38] [±.8]		CHECKED	AS 9/25/23
DIMENSION IN (PARENTHESIS) ARE FOR INFORMATION ONLY. CRITICAL DIMENSIONS MARKED \square .		ENG APPR.	AS 9/25/23
MATERIAL SEE NOTES		THIRD ANGLE PROJECTION	
DO NOT SCALE DRAWING		PROPRIETARY AND CONFIDENTIAL THE INFORMATION CONTAINED IN THIS DRAWING IS THE SOLE PROPERTY OF VISIONAIRE, INC. ANY REPRODUCTION IN PART OR AS A WHOLE WITHOUT THE WRITTEN PERMISSION OF VISIONAIRE, INC. IS PROHIBITED.	

VISIONAIRE, INC. 1401 VALLEY VIEW LN #135
IRVING, TX 75061

TITLE:
**34-7052-101-PARTS
BREAKDOWN**

SIZE B	DWG. NO. 90-7052-004-3	REV 0
------------------	----------------------------------	-----------------

SCALE: 1:4 SHEET 1 OF 1

34-7052-101: BEZEL ASSEMBLY, ALL ELECTRIC ROOFTOP, 24V