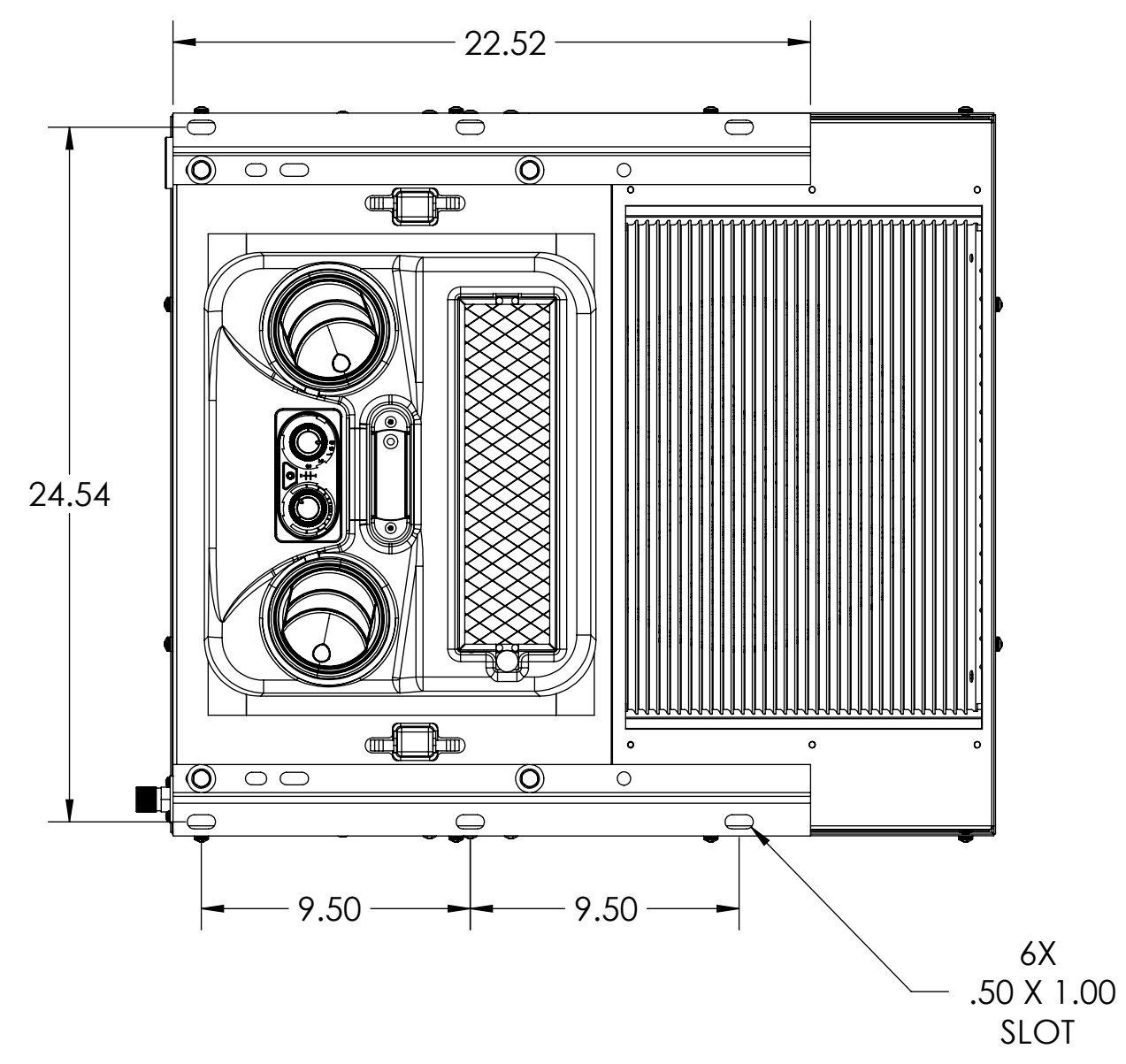
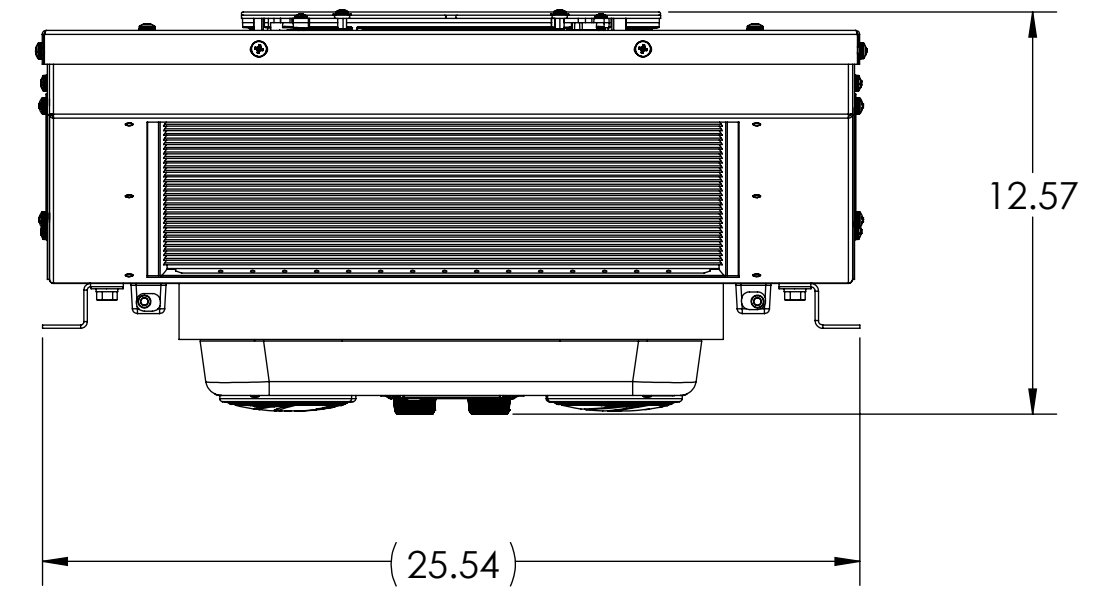
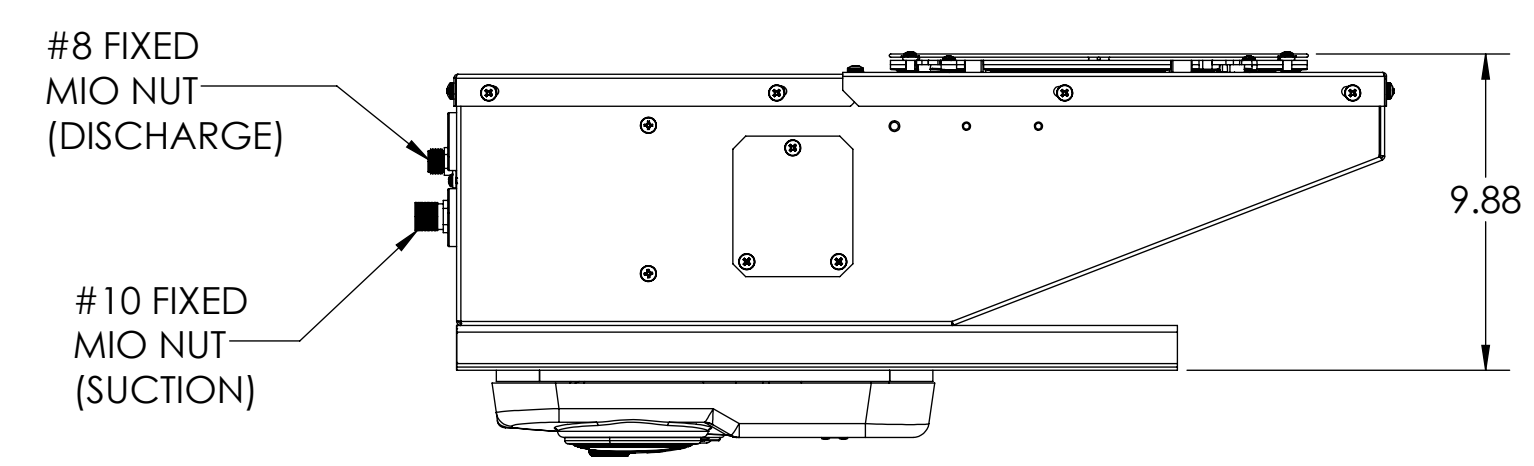
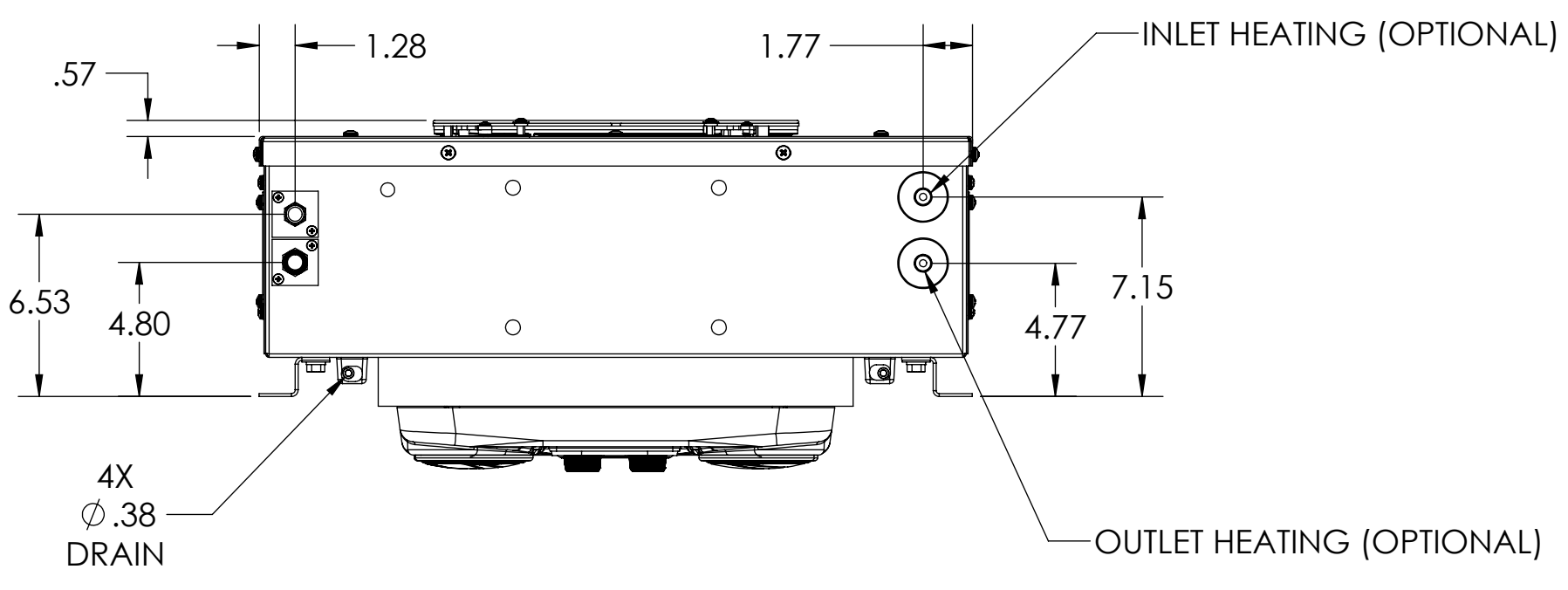
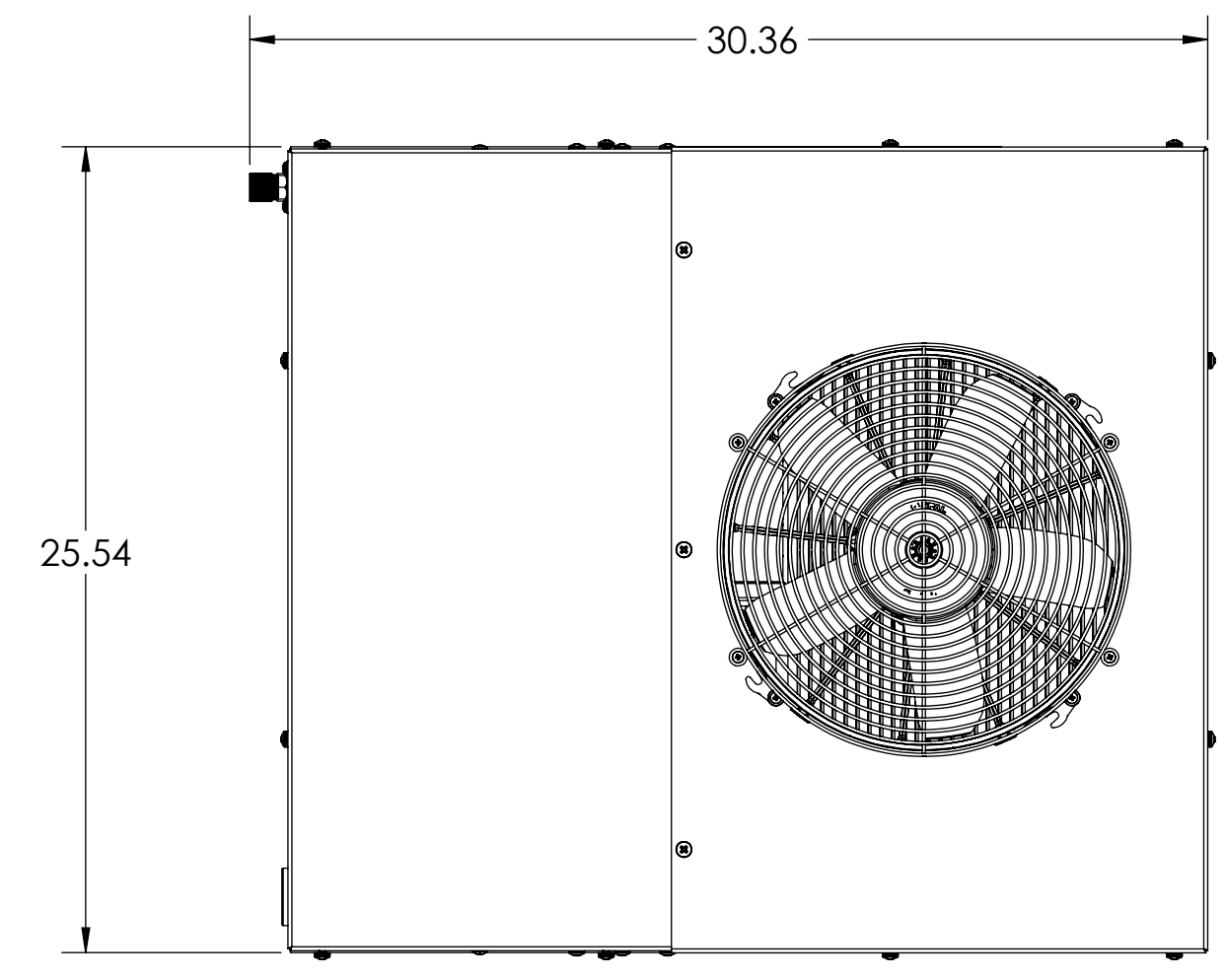
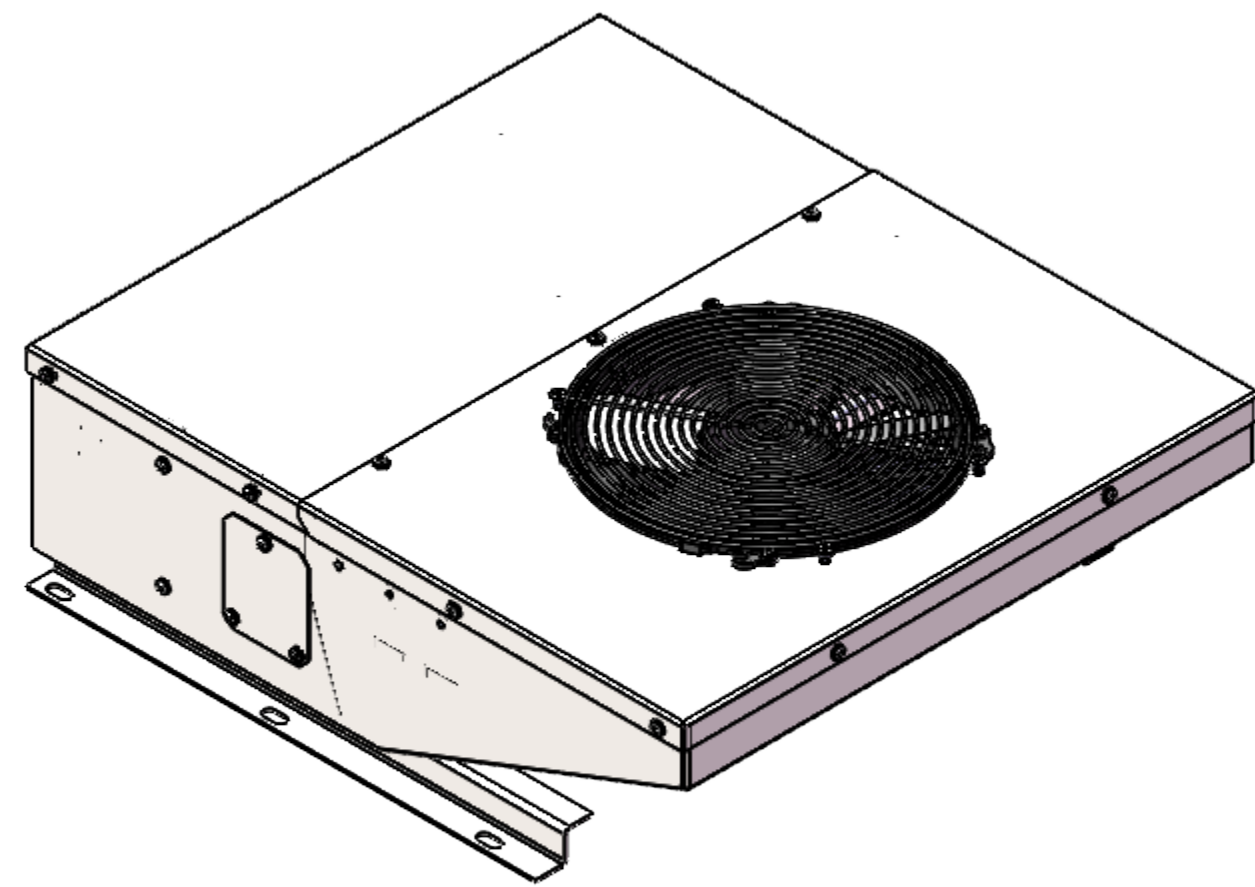


REVISIONS						
ECR	REV.	DESCRIPTION	DATE	DR.	AUTH.	CHK.
	0	INITIAL RELEASE	3/10/2022	MSM	MG	MG



SPECIFICATION 47-7052-1190

COOLING CAPACITY	26.7k BTU/Hr. (7.8 KW) per IMACA
HEATING CAPACITY	13.7k BTU/Hr. (4.0 KW) per Q80
AIR FLOW	407 CFM @ 0" Static Pressure in H2O
REFRIGERANT	TYPE: R-134a (PRE-CHARGED)
CONTROLLER	CHARGE: 2LB 2OZ (WITH COMPRESSOR 10 FT. AWAY)
PLENUM	3 SPEED EVAPORATOR BLOWER (AND ADJUSTABLE THERMOSTAT)
FINISH	PLASTIC WITH LOUVERS
ELECTRICAL DATA	WHITE POWDER COATED
CONDENSOR	25.7 Amps @ 13 VDC (INCLUDED 2 AMPS FOR AC CLUTCH)
WEIGHT	ONE SINGLE SPEED
	73LB HVAC UNIT

- ELECTRIC ACTUATED WATER VALVE
- REMOTE CONTROL PANEL INCLUDED WITH PRESSURIZER SWITCH(PRESSURIZER OPTIONAL)
- 30FT HEATING VALVE EXTENSION HARNESS (OPTIONAL)
- PRESSURIZER RELAY (OPTIONAL)
- STANDARD PLENUM WITH DRIVER CONTROLLER
- UNIT WITH COOLING ONLY (OPTIONAL)

SPECIFICATION 47-7052-2190

COOLING CAPACITY	26.7k BTU/Hr. (7.8 KW) per IMACA
HEATING CAPACITY	13.7k BTU/Hr. (4.0 KW) per Q80
AIR FLOW	407 CFM @ 0" Static Pressure in H2O
REFRIGERANT	TYPE: R-134a (PRE-CHARGED)
CONTROLLER	CHARGE: 2LB 2OZ (WITH COMPRESSOR 10 FT. AWAY)
PLENUM	3 SPEED EVAPORATOR BLOWER (AND ADJUSTABLE THERMOSTAT)
FINISH	PLASTIC WITH LOUVERS
CURRENT DRAW	WHITE POWDER COATED
CONDENSOR	13 Amps @ 26 VDC (INCLUDES 2 AMPS FOR AC CLUTCH)
WEIGHT	ONE SINGLE SPEED
	73LB HVAC UNIT

- ELECTRIC ACTUATED WATER VALVE
- REMOTE CONTROL PANEL INCLUDED WITH PRESSURIZER SWITCH(PRESSURIZER OPTIONAL)
- 30FT HEATING VALVE EXTENSION HARNESS (OPTIONAL)
- PRESSURIZER RELAY (OPTIONAL)
- STANDARD PLENUM WITH DRIVER CONTROLLER
- UNIT WITH COOLING ONLY (OPTIONAL)

- NOTES:
1. REFERENCE VISER-0023 FOR HARDWARE TORQUE REQUIREMENTS
 2. REFERENCE VISER-0025 FOR HVAC FITTING TORQUE REQUIREMENTS
 3. UNIT LABEL WILL CONTAIN: MODEL #, SERIAL #, VOLTAGE, REFRIGERANT TYPE AND CHARGE

IMPERIAL INCH FORMAT: UNLESS OTHERWISE SPECIFIED DIMENSIONS ARE IN INCHES WITH METRIC CONVERSION IN (MILLIMETERS)	INTERPRET GEOMETRIC TOLERANCING PER: ASME Y14.5-2009	VISIONAIRE, INC. 1401 VALLEY VIEW LN #135 IRVING, TX 75039
UNLESS OTHERWISE SPECIFIED TOLERANCES ON: DIMENSIONS ARE IN INCHES WITH METRIC CONVERSION IN (MILLIMETERS)	DRAWN: MSM 3/10/22 CHECKED: MG 3/10/22 ENG APPR: AS 3/10/22	
TIT. 01 SURFACE FINISH: 12.5 AA 2.005 ±.015 (±.03)	THIRD ANGLE PROJECTION	TITLE: 7052 UNIT SPECIFICATIONS
CRTICAL DIMENSIONS MARKED WITH () MATERIAL: SEE NOTES DO NOT SCALE DRAWING	PROPRIETARY AND CONFIDENTIAL THE INFORMATION CONTAINED IN THIS DRAWING IS THE SOLE PROPERTY OF VISIONAIRE, INC. ANY REPRODUCTION IN PART OR AS A WHOLE WITHOUT THE WRITTEN PERMISSION OF VISIONAIRE, INC. IS PROHIBITED.	SIZE DWG. NO. REV D 90-7052-001 0
	SCALE: 1:6	SHEET 1 OF 1