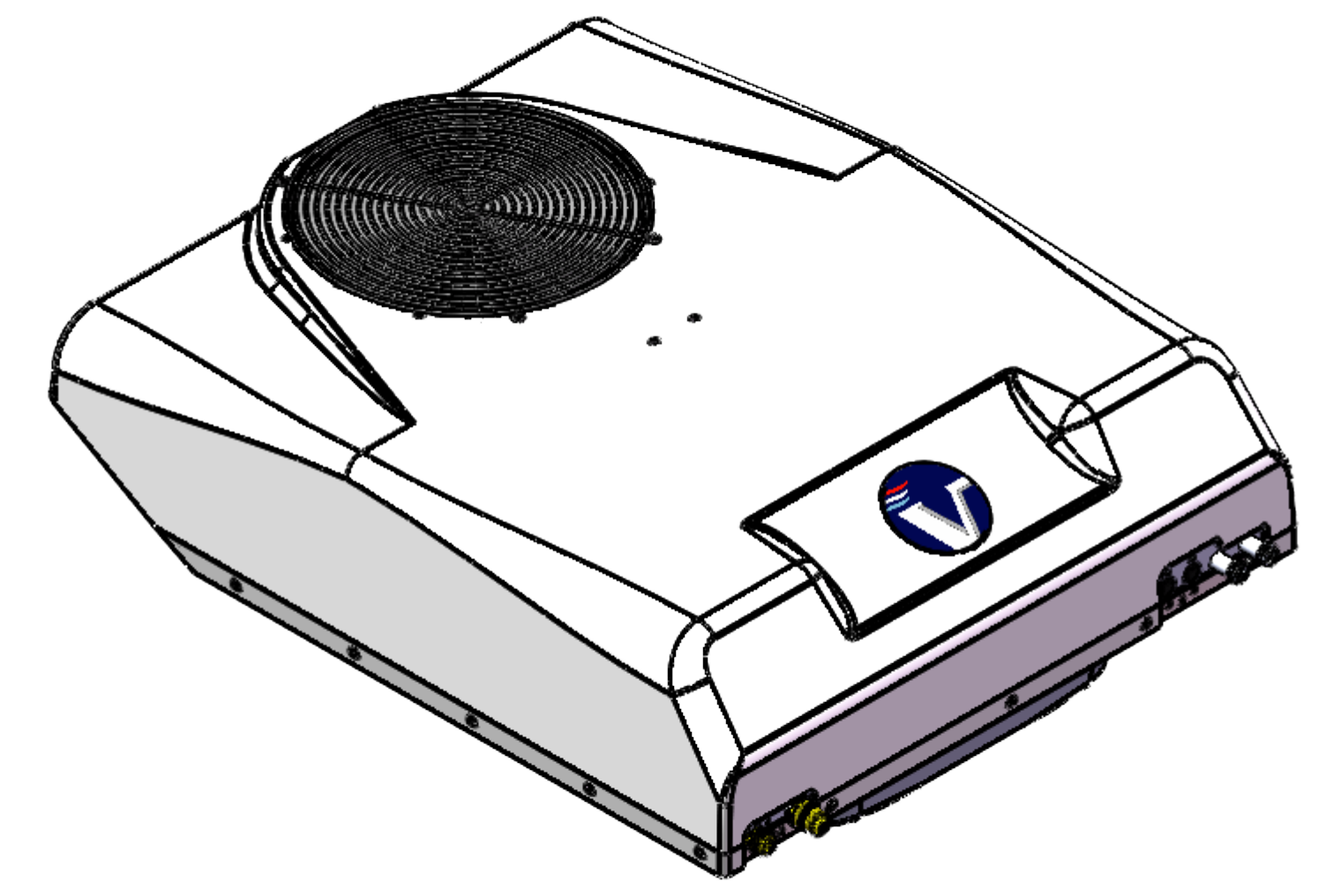
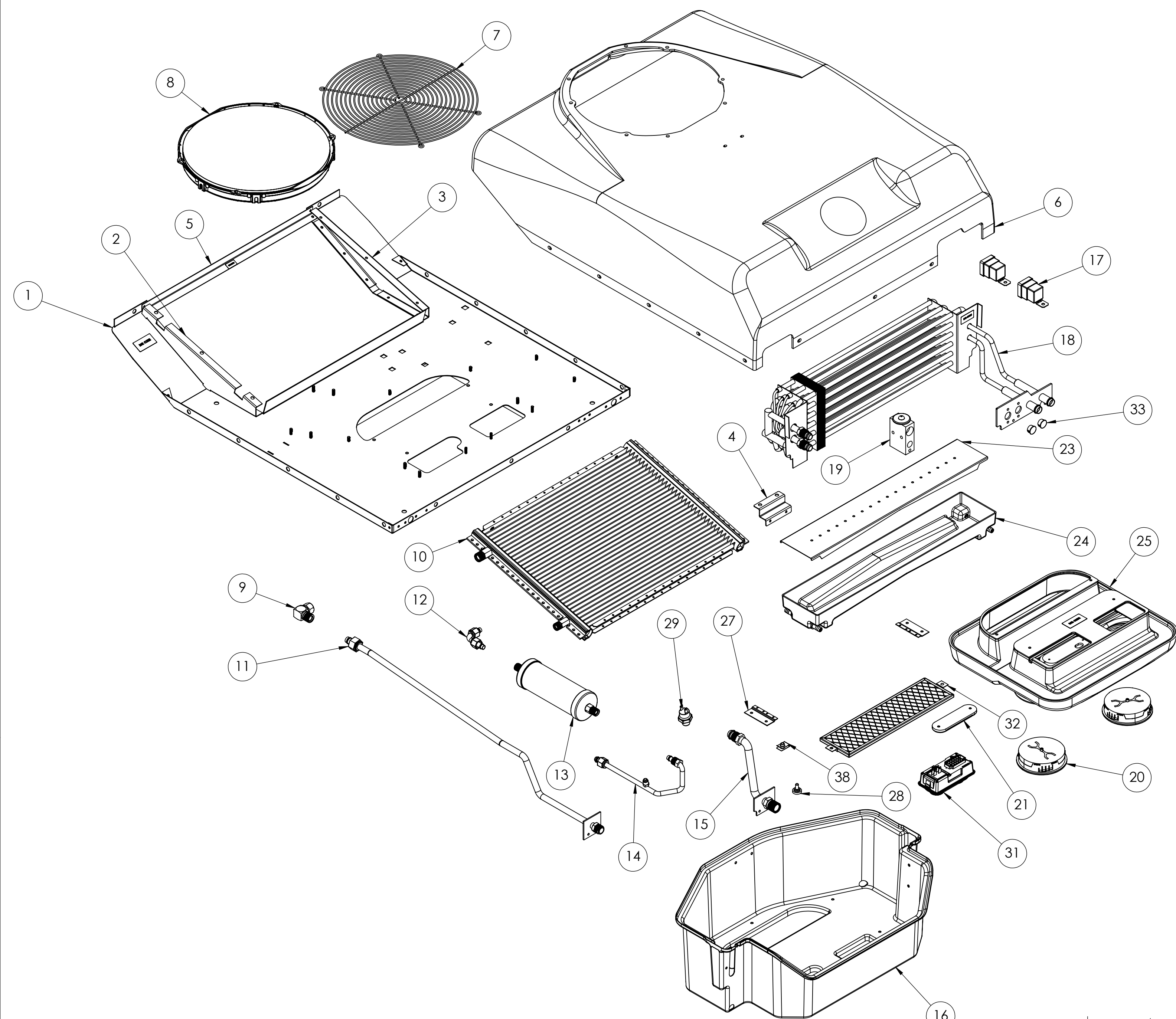
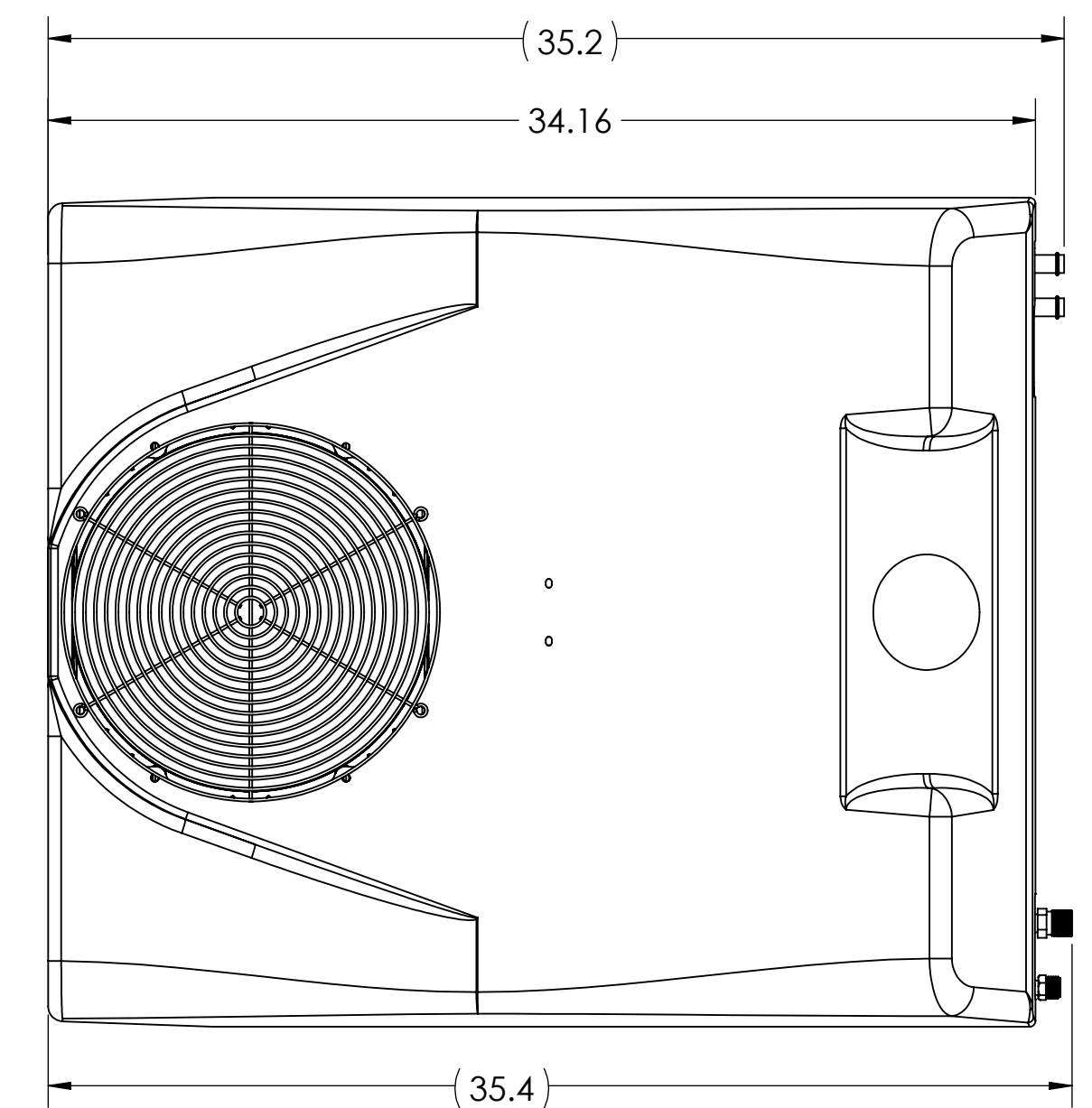
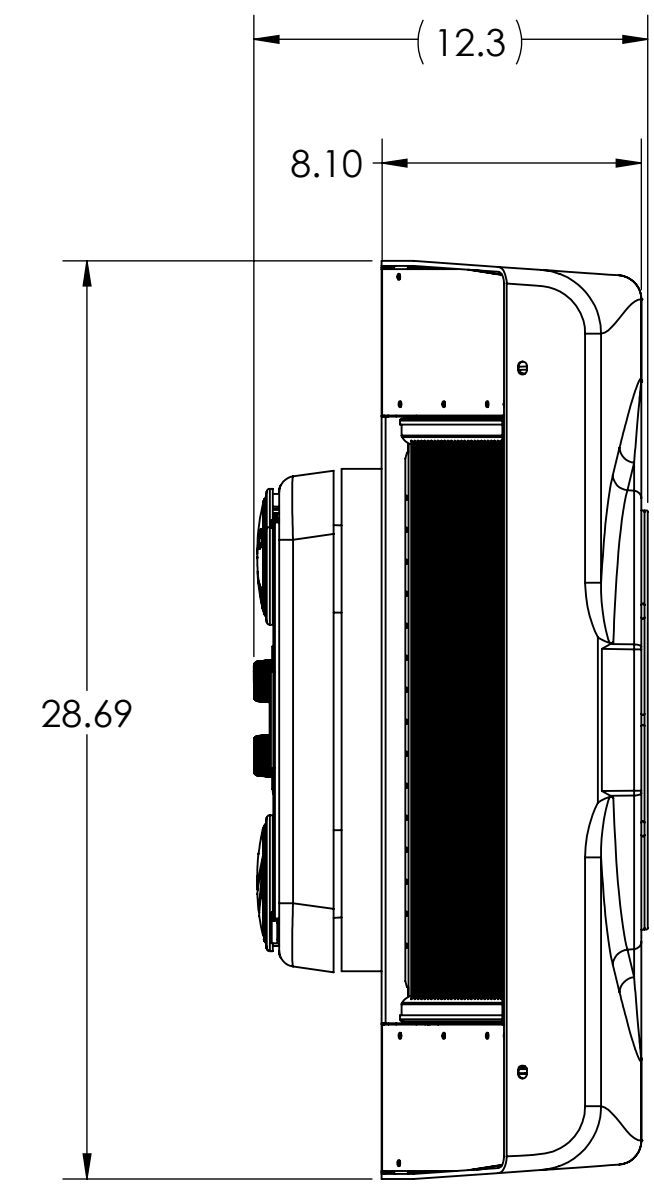
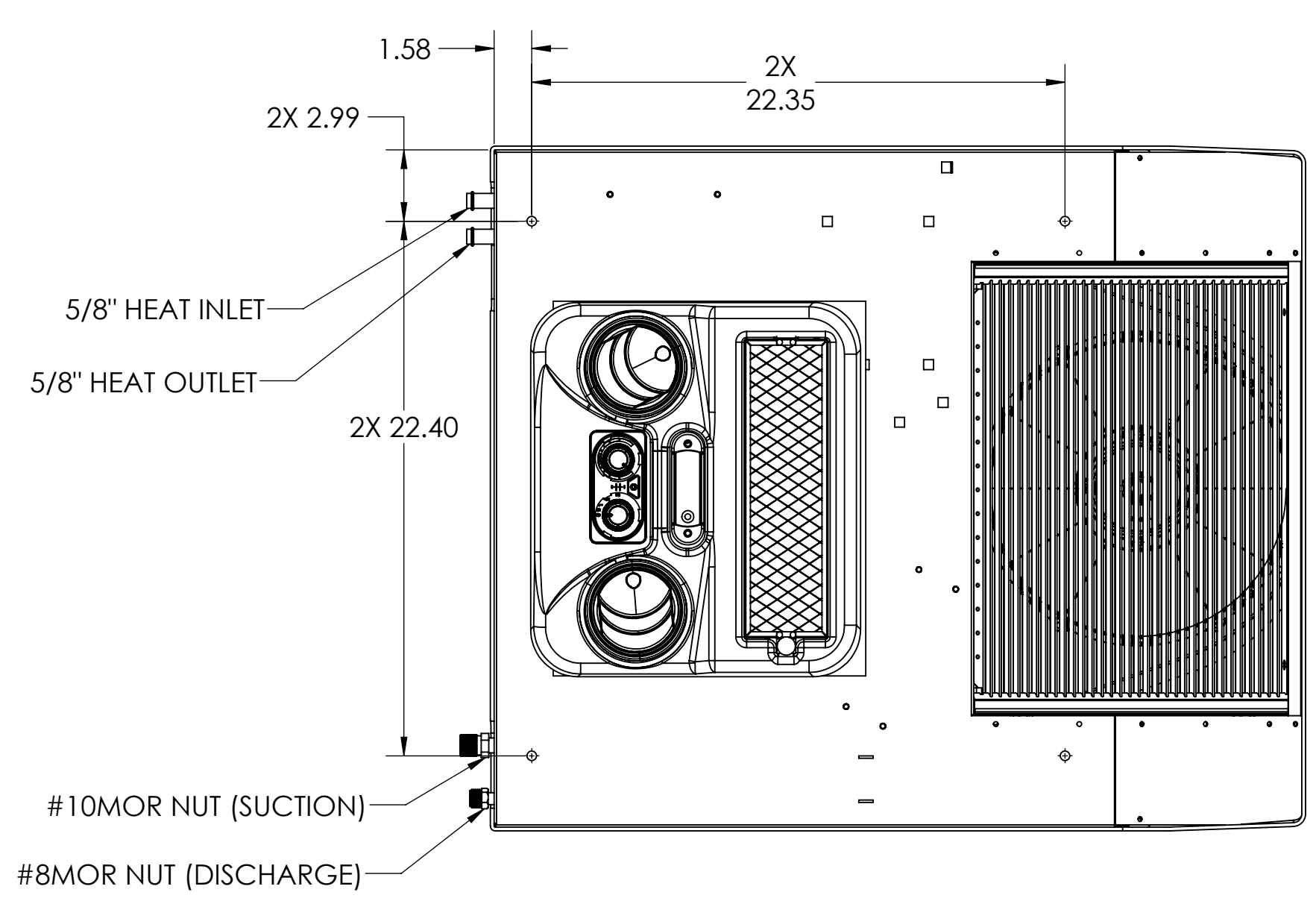


REVISIONS						
ECR	REV.	DESCRIPTION	DATE	DR.	AUTH.	CHK.
	0	INITIAL RELEASE	3/24/2021	MO		



45*	36-7055-001	HARDWARE KIT	1
44*	33-7055-001	UNIVERSAL HARNESS	1
43*	31-7055-005	UNIT BASE INSULATION	1
42*	31-7055-004	DRIER INSULATION	1
41*	31-7055-003	EVAPORATOR INSULATION	1
40*	31-7055-002	ROOF INDENTATION INSULATION	1
39*	31-7055-001	EVAPORATOR BASE INSULATION	1
37	31-7055-005	SEAL, INSULATION B/W ROOF AND SYSTEM	1
36	31-7055-002	7055-ROOF INDENTATION INSULATION	1
35	31-7055-001	EVAPORATOR BASE INSULATION	1
33	16-92-3212	PLUG BUTTON BLACK PLASTIC 5/8"	2
32	15-10-1022	FILTER, 12.5" X 3.50"	1
31	12-56-1005	MECHANICAL CONTROLLER, VISIONAIRE	1
29	12-10-3000	BINARY SWITCH—FEMALE 350/28	1
28	V201-0014	THUMB SCREW - ROUND	1
27	30-7055-007	BLOWER BRACKET	2
38	36-0000-640	1/4-20 J CLIP	1
25	32-7055-003-00	BEZEL ASSEMBLY, ABS	1
24	32-7055-004-00	DRAIN PAN ASSEMBLY, ABS	1
23	30-7055-006	DRAIN PAN INSERT	1
21	12-59-7000	LIGHT, LED, 12V MAP LIGHT	1
20	12-40-1222	KALORI LOUVER, Dia 4.25" , HOLE DIA 3.95"	2
19	12-11-1001	BLOCK TXV 2 TON (EH)	1
18	10-40-7055	COIL, 17.8" X 6" X 3.125", 4AC,1H	1
17	12-53-2003	Relay 12V WP W/Resistor	2
16	32-7055-002	EVAP HOUSING TRIM, ABS	1
13	13-10-1005	DRIER - 3030,3110,3115,3130	1
14	35-7055-004	HIGH PTESSURE LIQUID LINE	1
12	35-7055-003	TUBE, PRIMARY LIQUID LINE	1
11	35-7055-002	HIGH PRESSURE TUBE	1
15	35-7055-001	SUCTION TUBE	1
10	10-10-3025	CONDENSER COIL - 3025	1
9	16-19-6211	ADAPTER FTG FO x MO 90DEG 3/4-16	1
8	14-10-1234	12" 12V CONDENSOR FAN	1
7	14-90-1007	FAN GUARD - 12"	1
6	32-7055-001	COVER, PLASTIC COVER, WHITE	1
5	30-7055-005	CONDENSER BRACKET	1
4	30-7055-004	COVER BRACKET	1
3	30-7055-003	CONDENSER BRACKET, LEFT	1
2	30-7055-002	CONDENSER BRACKET, RIGHT	1
1	30-7055-001-00	BASE ASSY, ROOF TOP UNIT	1
ITEM NO.	PART NUMBER	PRICE	QTY.



IMPERIAL INCH FORMAT: UNLESS OTHERWISE SPECIFIED DIMENSIONS ARE IN INCHES WITH METRIC CONVERSION IN (MILLIMETERS)	INTERPRET GEOMETRIC TOLERANCING PER ASME Y14.5-2009	VISIONAIRE, INC. 1401 VALLEY VIEW LN #135 IRVING, TX 75038 TITLE: 47-7055-1000-ROOF TOP UNIT-12V
UNLESS OTHERWISE SPECIFIED TOLERANCES ON: DIMENSIONS ARE IN INCHES WITH METRIC CONVERSION IN (MILLIMETERS)	DATE	
[0]DEC [00]DEC DEC ANG ±.04 ±.001 ±.001 ±.001 ±.001 ±.001	DRAWN	REV
[1]DEC [00]DEC DEC ANG ±.005 ±.015 ±.015 ±.015 ±.015 ±.015	CHECKED	0
[2]DEC [00]DEC DEC ANG ±.005 ±.015 ±.015 ±.015 ±.015 ±.015	ENG APPR.	
SURFACE FINISH SYMBOLS: AA ±.005 ±.015 ±.015 ±.015 ±.015 ±.015	THIRD ANGLE PROJECTION	SCALE: 1:16
DIMENSION (IN PARENTHESES) ARE FOR INFORMATION ONLY. TOLERANCES DO NOT APPLY TO MATERIAL. SEE NOTES.	PROPRIETARY AND CONFIDENTIAL THE INFORMATION CONTAINED IN THIS DRAWING IS THE SOLE PROPERTY OF VISIONAIRE, INC. ANY REPRODUCTION IN PART OR AS A WHOLE WITHOUT THE WRITTEN PERMISSION OF VISIONAIRE, INC. IS PROHIBITED.	SHEET 1 OF 1