



Air Top 2000 ST

Air Heater

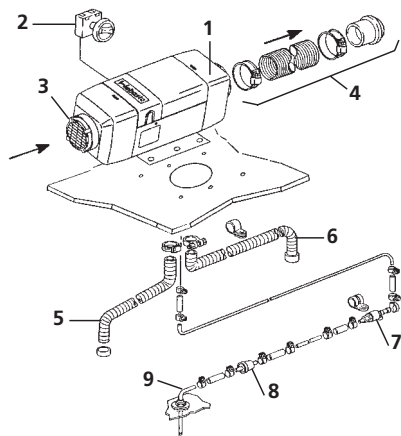
Specifications

	Air Top 2000 ST
Heating Power (Btu/h)	3,100 – 7,000
Fuel	Diesel #1, #2, Arctic, Biodiesel B5 & B20 (up to 20%)
Fuel Consumption (gal/h)	0.03 – 0.6
Rated Voltage (V)	12 / 24
Operating Voltage Range (V)	10.5 – 16
Rated Input (AMPS)	1.20 - 2.41
Air Flow (cfm)	37
Dimensions LxWxH (in)	12.25 x 4.78 x 4.85
Weight (lbs)	5.73

Standard Kit Components:

Air Top 2000 ST 12V Diesel Kit	Part No: 5001114A
Air Top 2000 ST 24V Diesel Kit	Part No: 5001314A
Integrated Control Unit	
On/Off Switch w/Variable Temperature Control	
Fuel Metering Pump w/Mounting Bracket	
Fuel Line and Fuel Filter	
Universal Fuel Standpipe	
Heater Mounting Bracket w/Gasket	
Wiring Harness w/ Fuse Holder	
Exhaust Tubing	
Combustion Air Tubing and Heater Ducting	
Air Inlet/Outlet Grills	
Blink Code Diagnostics	
PC Interface Diagnostics	
Operation/Installation Manual	
2 Year/2000 Hour Limited Warranty	

System Schematic



1. Air Top 2000 ST Heater
2. Control Dial
3. Cold Air Inlet
4. Hot Air Outlet/Ducting
5. Combustion Air Inlet
6. Exhaust Outlet
7. Fuel Metering Pump
8. Fuel Filter
9. Fuel Standpipe

Optional Accessories

7-Day Comfort Timer	Part No. 88206A
Remote Temperature Sensor	Part No. 9005004B