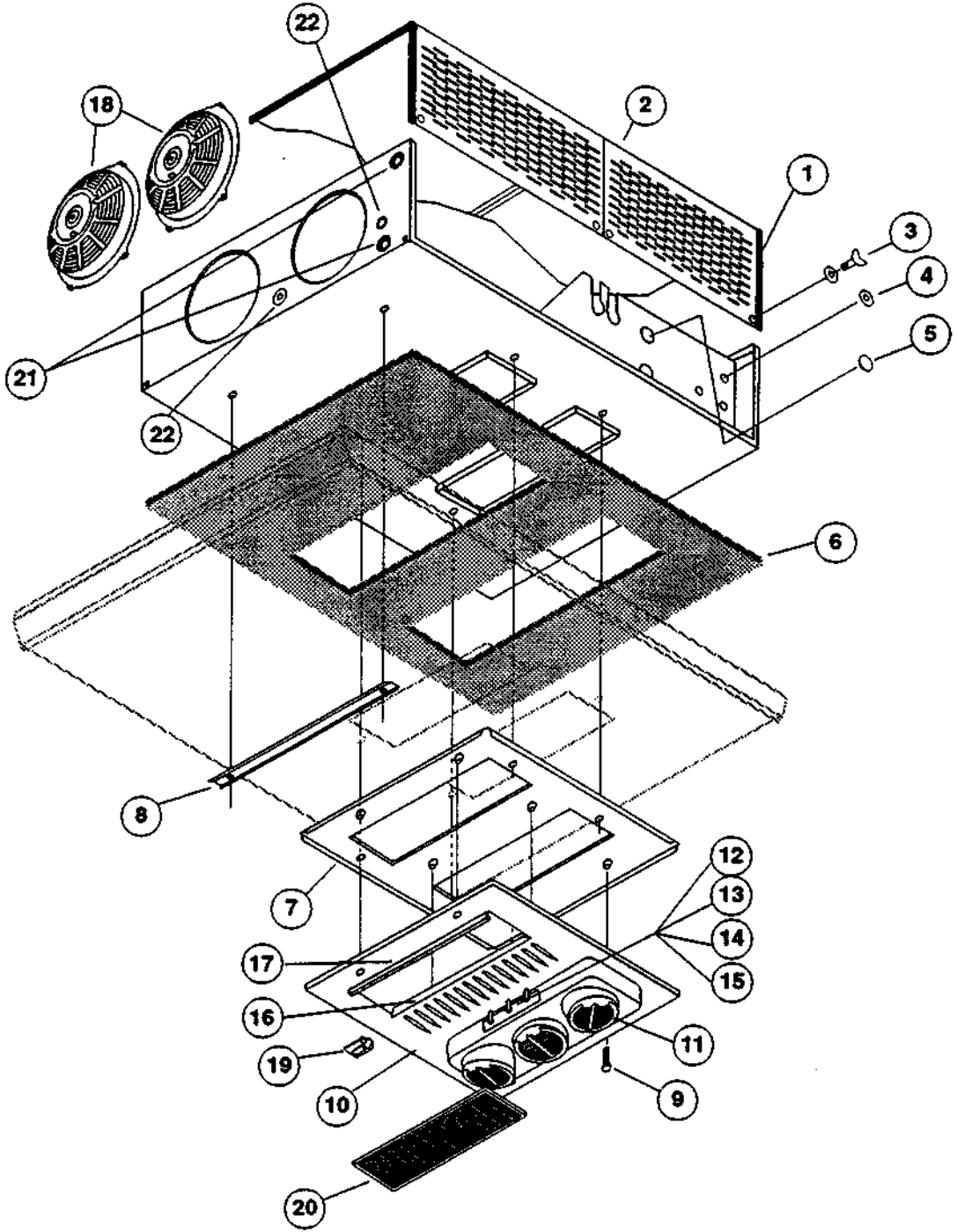
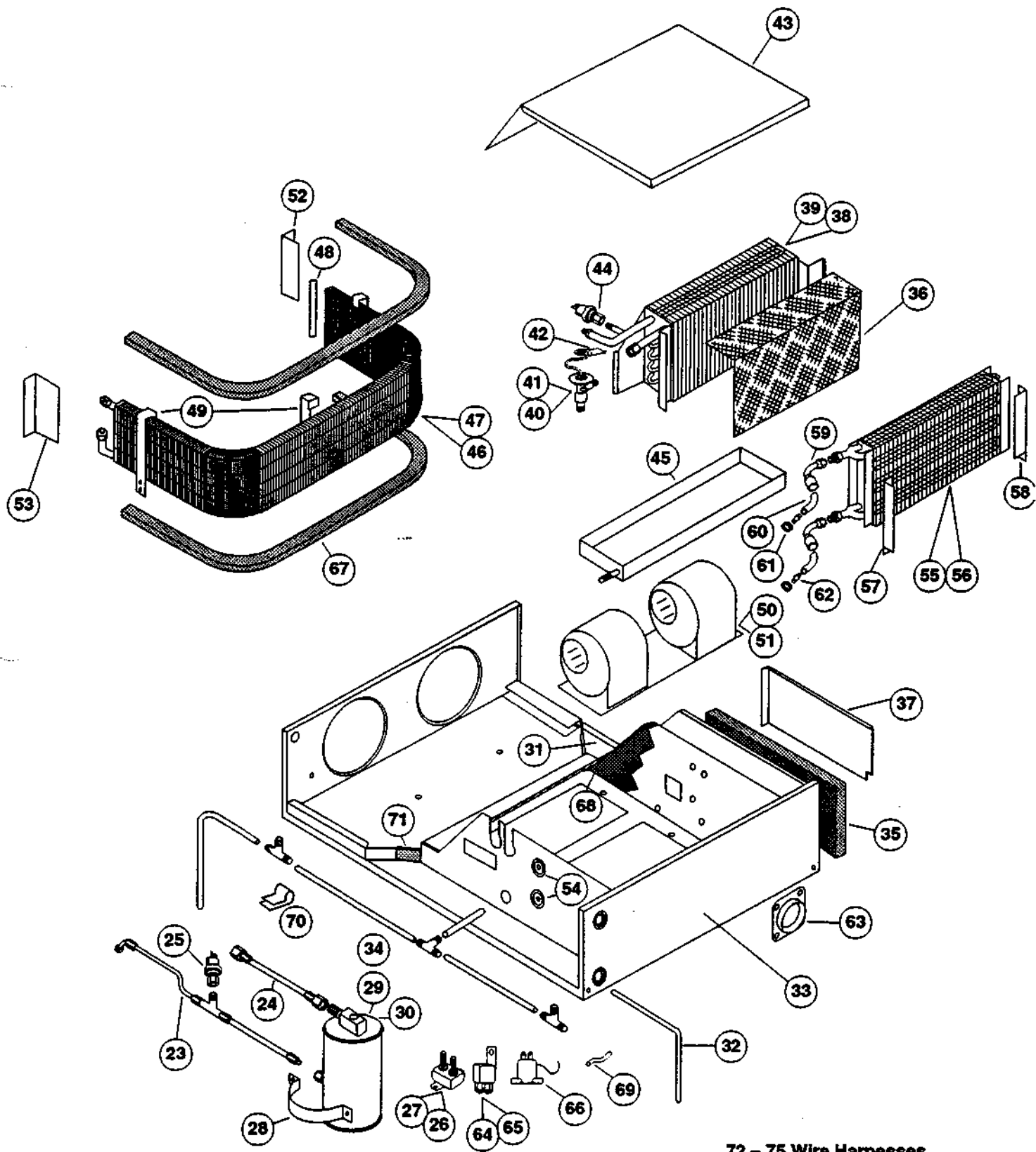


29-75000 SERIES



WISDOMAIR, INC.

502 Jesse Street
Grand Prairie, Texas 75051
(972) 647-1056 Fax (972) 606-1076



72 - 75 Wire Harnesses
(not shown)

29-75000 SERIES PARTS LIST

ITEM #	PART NUMBER	DESCRIPTION	NOTE	OLD PART #
1	102 - 1046	TRIM - 46.75"	[2]	1-102-44
2	100 - 1003	COVER ASSEMBLY PAINTED		
3	201 - 0014	THUMB SCREW	[8]	B-01-P-0122
4	102 - 1014	GROMMET .5"	[2]	1-7102-79
5	103 - 1014	PLUG BUTTON	[4] A	5300086-
6	102 - 2736.75	INSULATION - BASE .75"		5-205-5
7	100 - 1010	CONSOLE MOUNT PLATE		
8	100 - 1011	REAR MOUNT CHANNEL		
9	201 - 1514	CONSOLE SCREWS	[6]	
10	103 - 1001	PLASTIC CONSOLE		
11	103 - 2001	LOUVER	[3]	
12	205 - 2002	NAME PLATE		
13	104 - 1011	TOGGLE SWITCH - MODE		
14	104 - 1021	TOGGLE SWITCH - FAN SPEED		
15	104 - 1010	TOGGLE SWITCH - PRESSURIZER		
16	100 - 1012	FILTER BRACKET - ANGLE		
17	100 - 1013	FILTER BRACKET - CHANNEL		
18	106 - 8012	PANCAKE CONDENSER MOTOR	[2]	
19	201 - 3008	FILTER SNAP CLIPS	[2]	
20	200 - 0617	FILTER - RETURN AIR		5-214-51
21	103 - 0114	SNAP BUSHING	[2]A [4]B	5300071-
22	102 - 1038	GROMMET 5/8"	[2]	1-7102-79
23	105 - 2906	HOSE-LIQUID CONDIDRIER		29-130-6
24	105 - 0406	HOSE-LIQUID DRIER/EXP.VAL		29-130-8
25	104 - 1030	HIGH PRESSURE SWITCH		5-214-22
26	104 - 1041	CIRCUIT BREAKER 20 AMP 24V		5300011-
27	104 - 1040	CIRCUIT BREAKER 40AMP 12V		1-7263-11
28	100 - 1006	DRIER MOUNT		5-201-50
29	107 - 8022	DRIER - NEW STYLE		
30	107 - 8269	DRIER - OLD STYLE		1-7282-5
31	105 - 3538R	DRAIN TUBE ASSEMBLY-RT		5-203-53
32	105 - 3038	DRAIN HOSE - 32'		5-85-21
33	100 - 1001	BASE WELDMENT ASSEMBLY		5-200-54S
34	105 - 3538L	DRAIN TUBE ASSEMBLY-LT		5-203-54
35	200 - 0714	FILTER - FRESH AIR		29-130-9
36	200 - 1315	EVAPORATOR COIL SCREEN		5-200-4
37	100 - 3010	SIDE FILTER COVER - PRESSURIZ	C	
38	109 - 1340	EVAPORATOR COIL		
39	109 - 1200	EVAPORATOR COIL - OLD STY.		1-7292-2
40	108 - 0134	EXPANSION VALVE		
41	108 - 0012	EXPANSION VALVE - OLD STY.		5-85-8
42	201 - 2058	CLAMP	*	1-7274-2
43	100 - 1005	EVAPORATOR BOX - TOP		5-201-3S
44	104 - 1031	LOW PRESSURE SWITCH		5-214-23
45	103 - 0109	DRIP PAN		5600030-
46	109 - 0647	CONDENSER COIL		
47	109 - 0747	CONDENSER COIL - OLD		5-85-5
48	102 - 2001	SOFT SPONGE - 6 3/4"	[4]	1-102-3
49	100 - 1007	CONDENSER BRACKET	[3]	5-82-4
50	106 - 3012	BLOWER ASSEMBLY 12V		1-7281-50
51	106 - 3024	BLOWER ASSEMBLY 24V		5300012-
52	100 - 1107	AIR SEAL - RT		5-81-1S
53	100 - 1207	AIR SEAL - LT		5-81-2S

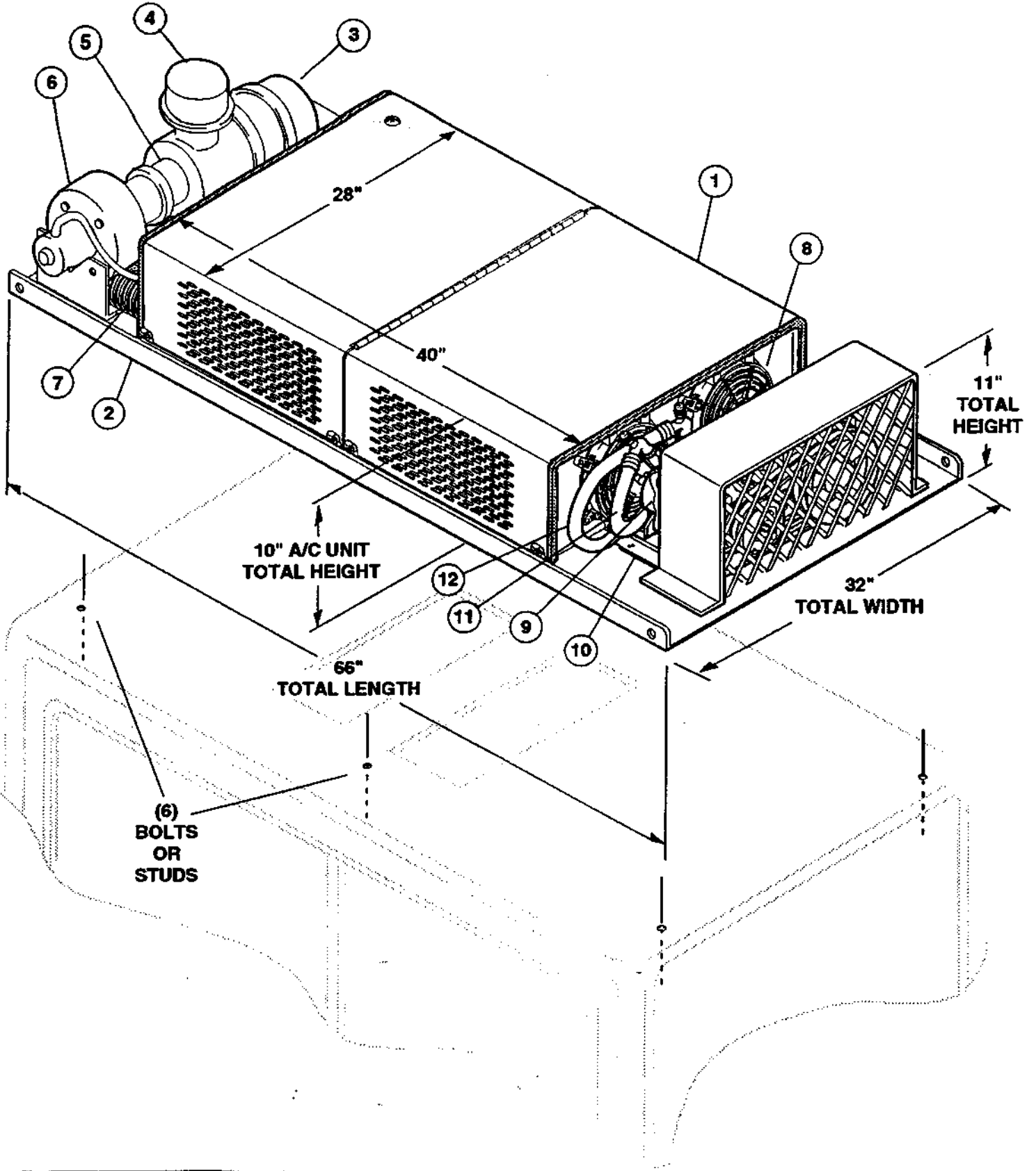
NOTES: [] NUMBER REQUIRED, * ITEM NOT SHOWN, A. A/C ONLY, B. HT/A/C, C. OPTIONAL

29-75000 SERIES PARTS LIST

54	102 - 3000	HOLE LINER - HEATER FTG.	[2] B	1-7281-7
55	109 - 1400	HEATER CORE	B	
56	109 - 1458	HEATER CORE - OLD STYLE	B	
57	100 - 1400L	HEATER CORE BRACKET - LT	B	
58	100 - 1400R	HEATER CORE BRACKET - RT	B	
59	201 - 7650R	HEATER CORE FITTING	[2] B	
60	105 - 1158	SILICONE HOSE 11"	[2] B	
61	201 - 0010	SILICONE HEATER HOSE CLAMPS	[4] B	
62	201 - 1908	HEATER NIPPLES 5/8" X 5/8"	[2] B	
63	100 - 4812R	PRESSURIZER RING	C	
64	104 - 1702	12 VOLT RELAY		
65	104 - 1704	24 VOLT RELAY		
66	104 - 1002	THERMOSTAT - FIXED		
67	102 - 1034 - 90	CONDENSER FOAM SEAL		
68	102 - 9000	9 PC . EVAP. CASE INSUL.		
69	105 - 1002	THERMOSTAT TUBE		
70	201 - 1000	WIRE LOOM CLAMP		
71	102 - 1.251-5	SQUARE FOAM		
72	202 - 1001	WIRE HARNESS - COND. FAN 12V	*	
73	202 - 1002	WIRE HARNESS - COND. FAN 24V	*	
74	202 - 1005	WIRE HARNESS - MAIN	*	
75	202 - 1006	WIRE HARNESS - FAN	*	
76	202 - 1007	WIRE HARNESS - SWITCHES	*	
77	202 - 1008	WIRE HARNESS - JUMPER	*	
	105 - 1710	SUCTION HOSE W/ FITTINGS - 17F	* C	5-85-15
	105 - 1708	DISCHARGE HOSE W/ FTS - 17FT	* C	5-85-14
	203 - 4506	COMP. - SANDEN 24V 134a	* C	
	203 - 4510	COMP. - SANDEN 12V 134a	* C	
	203 - 9120	COMP. - SANDEN 24V R-12	* C	5300108-
	203 - 9285	COMP. - SANDEN 12V R-12	* C	5300091-
	203 - 8210	COMP. - YORK, CCI, ROLO., R-12	* C	5-85-16
	203 - 8220 - E	COMP. - YORK, CCI, ESTER OIL	* C	
	203 - 8220 - A	COMP. - YORK, CCI, PAG OIL	* C	
	203 - 1101 - B	VALVE, SERVICE ROTO. FL# 10	* C	
	203 - 1108 - B	VALVE, SERVICE ROTO. FL# 8	* C	
	203 - 1201 - B	VALVE, SERVICE ROTO O'R -#8	* C	
	203 - 1208 - B	VALVE, SERVICE ROTO O'R #10	* C	
	203 - 141150	CLUTCH, YORK 24v, 6" 2GR .5"	* C	
	203 - 141151	CLUTCH, YORK 24v, 7" 2GR .5"	* C	
	203 - 141172	CLUTCH, YORK 12v, 7" 2GR .5"	* C	
	203 - 501939	CLUTCH, YORK 12v, 6" 2GR .5"	* C	

NOTES: [] NUMBER REQUIRED, * ITEM NOT SHOWN, A. A/C ONLY, B. HT/ A/C, C. OPTIONAL

29-75051-AHP



VISIONAIRE, INC.

502 Jesse Street

Grand Prairie, Texas 75051

(972) 647-1056 Fax (972) 606-1076

PARTS LIST - 29-75051-AHP

ITEM #	PART NUMBER	DESCRIPTION	NOTES
1	29 - 75000	A/C AND HEAT - 12 VOLT	
2	100 - 3022	ROOF PLATE	
3	200 - 8023	FILTER - HORIZONTAL	
4	200 - 2014	FILTER - CAP	
5	105 - 0353	HUMP HOSE REDUCER	
6	106 - 9202R	PRESSURIZER BLOWER MOTOR 12 V	
7	105 - 5530-5.5	RUBBER HOSE	
8	204 - 1100	HYDRAULIC MOTOR	
9	203 - 4510	COMP. - SANDEN 12V 134a	
10	100 - 0001	MOUNT (COMP. & MOTOR), BELT (2)	
11	105 - 7500-8	DISCHARGE HOSE	
12	105 - 7500-10	SUCTION HOSE	
	204 - 1101	PULLEY	*
	100 - 4812 R	PRESSURIZER RING	*
	200 - 4307	FILTER RING HOLD DOWN	2 *
	201 - 5202	HUMP HOSE REDUCER CLAMPS	3 *
	104 - 1010	ON/OFF TOGGLE SWITCH	*
	104 - 1042	CIRCUIT BREAKER 15 AMP	*
	100 - 3010	SIDE FILTER COVER	*
	200 - 8020	REPLACEMENT FILTER	*
	102 - 0616	ISOLATER PAD (6" X 16")	*
	201 - 4004	DOUBLE HOSE CLAMP	*
	204 - 6801-8-8	HYDR. FITTING90 DEGREE MT-AO	2 *
	204 - 2404-6-4	HYDRAULIC FITTING--ST-MT-MP	*

* ITEM NOT SHOWN