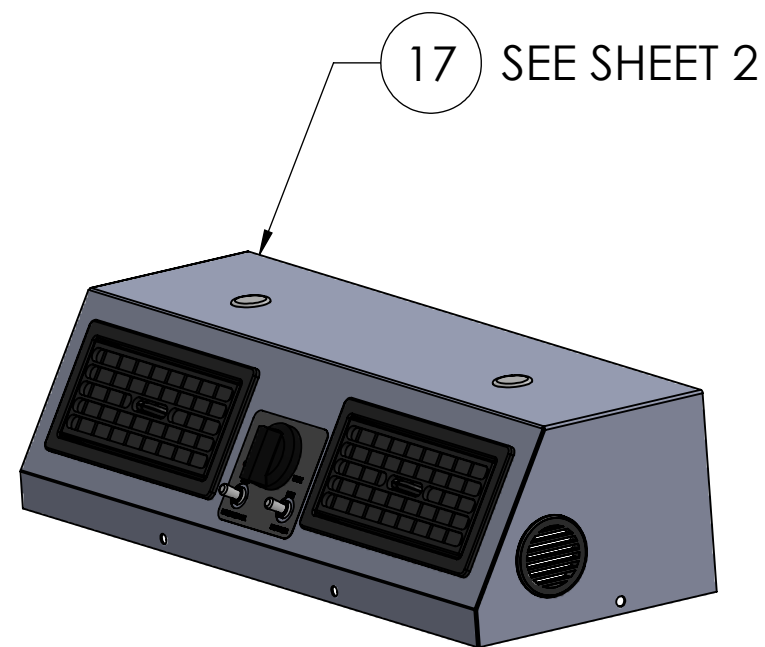
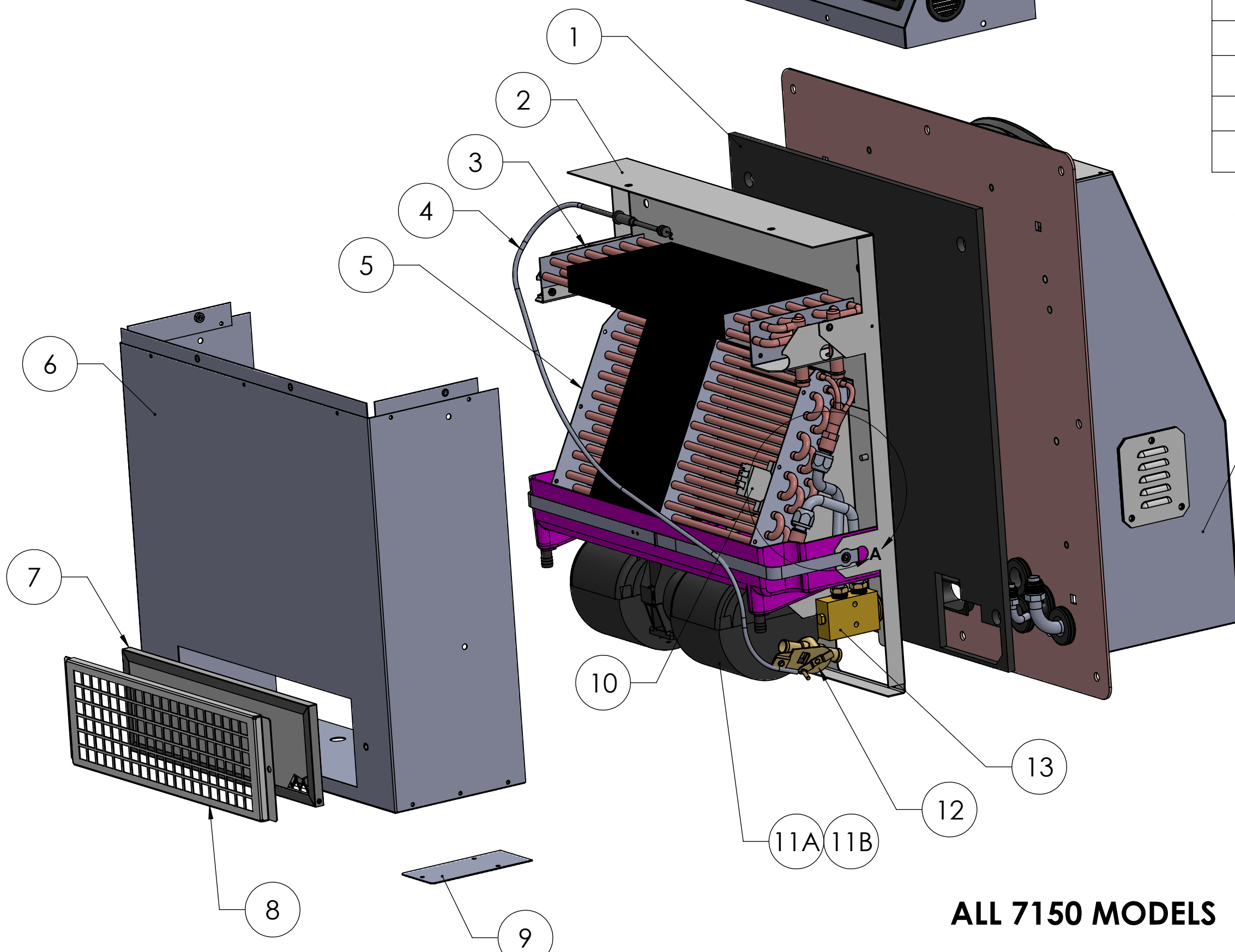


19 20 21 SEE SHEET 4,5 & 6

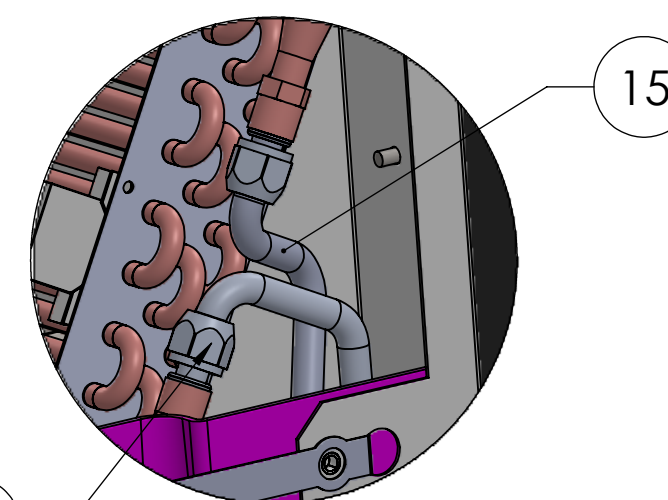


17 SEE SHEET 2



ITEM NO	PART NUMBER	DESCRIPTION	QTY
2	30-4150-104	MOUNTING PANEL ASSEMBLY	1
3	10-30-4030	HEATER COIL	1
4	12-39-1052	45" HEATER CABLE	1
5	10-20-4030	EVAPORATOR COIL	1
6	30-4150-113	FRONT COVER ASSEMBLY	1
7	15-10-1011	RETURN AIR FILTER	1
8	30-4050-025	FILTER GUARD	1
9	30-4150-112	BLOCK OFF BOTTOM EVAP	1
10	12-54-1001	THREMOSTAT	1
11A	14-20-0020	BLOWER 12V	1
11B	14-20-0021	BLOWER 24V	1
12	12-31-0001	WATER VALVE	1
13	12-11-1000	TXV	1
14	35-4150-101	TUBE RETURN	1
15	35-4150-102	TUBE INLET	1
# 16	33-4150-001	MAIN WIRE HARNESS	1
17	BEZEL ASSEMBLY	SEE SHEET 2	-
18	CONDENSER ASSEMBLY	SEE SHEET 3	-
19	COMPRESSOR ASSEMBLY 16CC	90-1305-001	-
20	COMPRESSOR ASSEMBLY 19CC	90-1305-002	-
21	COMPRESSOR ASSEMBLY 27CC	90-1305-003	-

# NOT SHOWN



14

DETAIL A  
SCALE 1 : 3

18 SEE SHEET 3

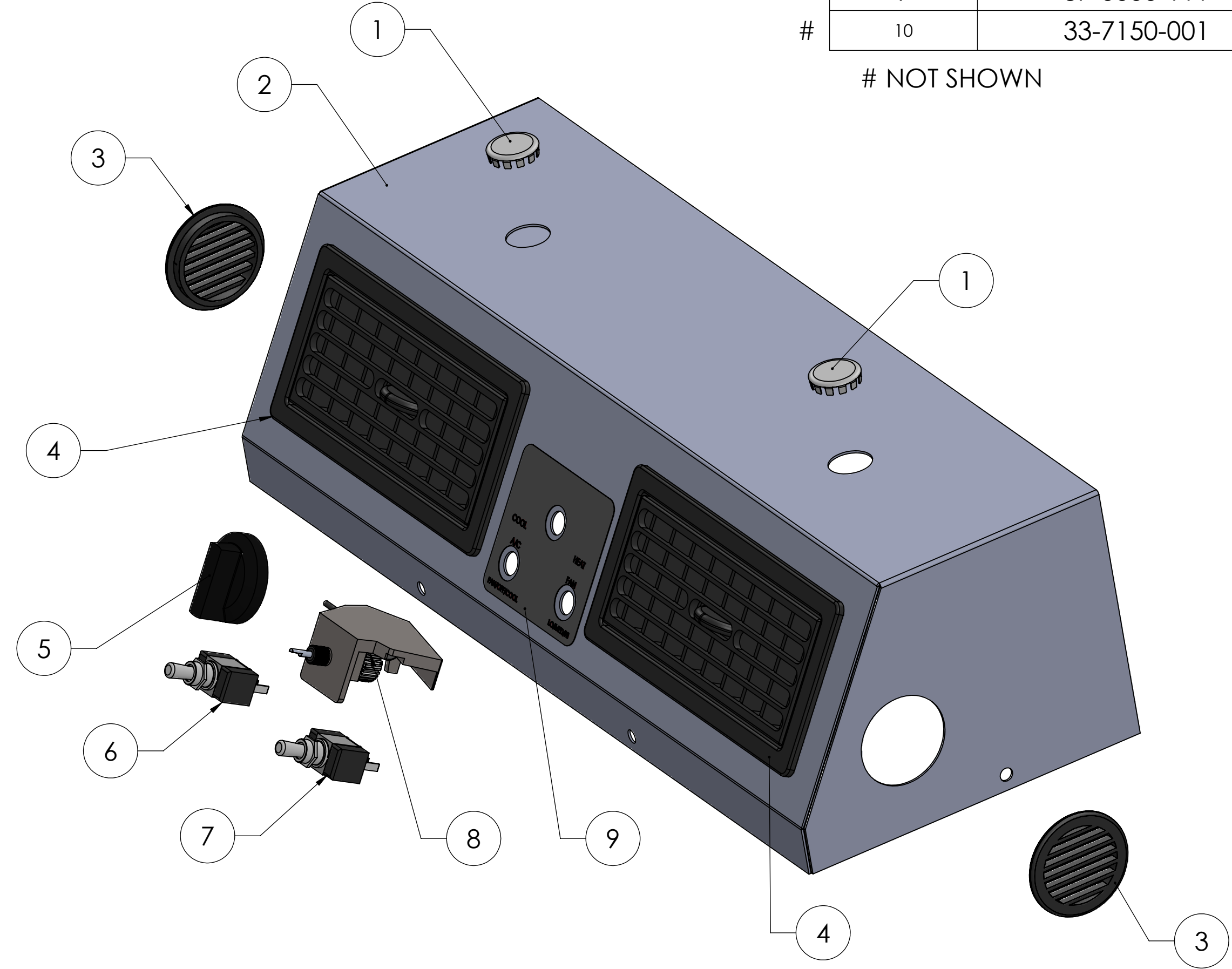
**ALL 7150 MODELS**

**VISIONAIRE, INC.**  
 MANUFACTURER AND DISTRIBUTOR OF HEATERS AND AIR CONDITIONERS FOR HEAVY EQUIPMENT  
 1502 109TH STREET  
 GRAND PRAIRE, TEXAS 75050  
 972-647-1056 www.visionaire-inc.com

DRAWN	NAME	DATE	DOCUMENT NO:
ENG APPR.	RP	1/18/15	90-7150-002 (SHEET 1)
	CNH	2/9/16	

ITEM NO	PART NUMBER	DESCRIPTION	QTY
1	16-92-3110	PLUG BUTTON CHROME 7/8"	2
2	30-4120-108	BEZEL WELDMENT	1
3	12-40-1320	DIFFUSER ROUND HOLE 3"	2
4	12-40-2021	LOUVER - RECTANGLE	2
5	12-51-2007	TEMPERATURE KNOB	1
6	12-50-1003	TOGGLE SWITCH - AC-OFF-HEAT	1
7	12-50-1002	TOGGLE SWITCH - HI-MED-LO	1
8	12-31-1070	HEATER ACTUATOR	1
9	37-0000-111	SWITCH PLATE	1
# 10	33-7150-001	BEZEL V2 WIRE HARNESS	1

# NOT SHOWN



**MODEL: 34-7150-002 - 7150 V2 BEZEL ASSEMBLY**

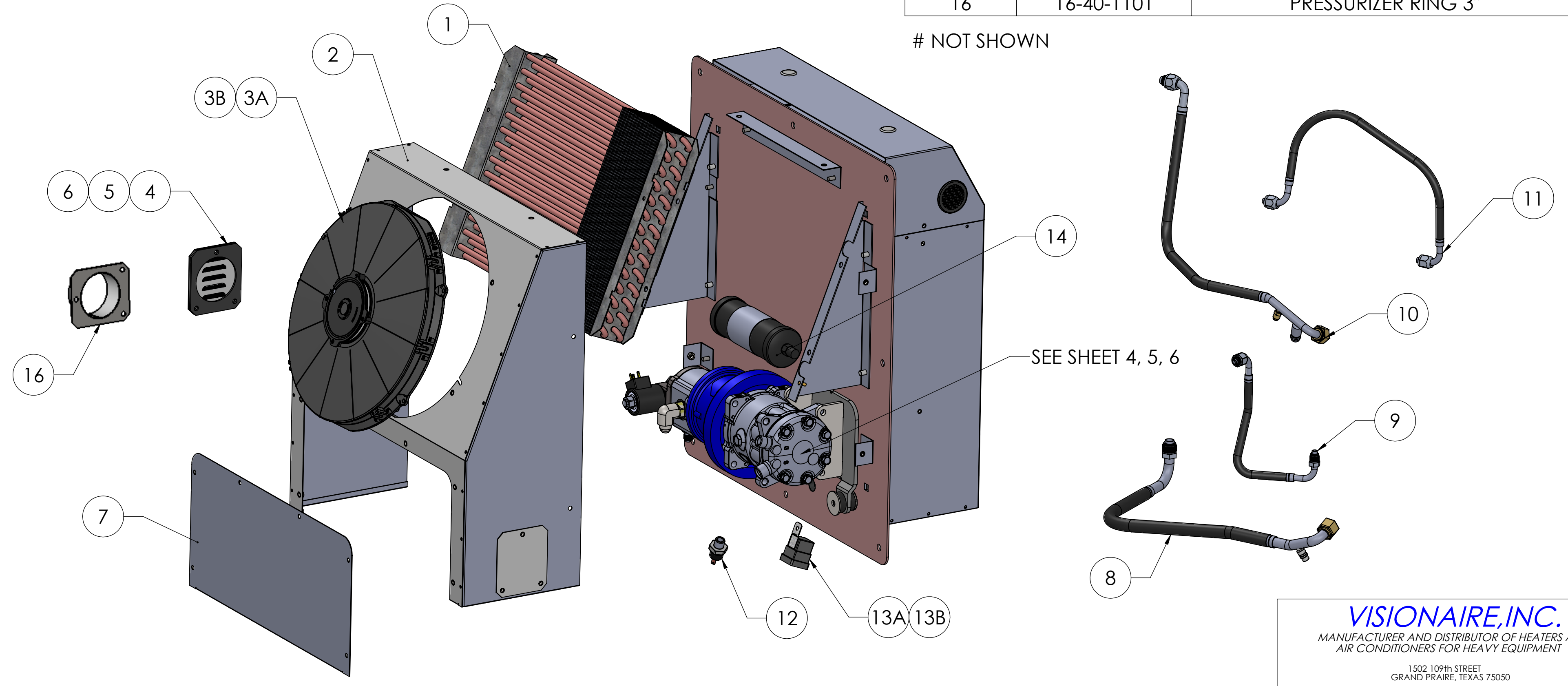
**VISIONAIRE, INC.**  
 MANUFACTURER AND DISTRIBUTOR OF HEATERS AND  
 AIR CONDITIONERS FOR HEAVY EQUIPMENT

1502 109th STREET  
 GRAND PRAIRE, TEXAS 75050  
 972-647-1056      www.visionaire-inc.com

DRAWN	NAME	DATE	DOCUMENT NO:
ENG APPR.	RP	1/18/15	<b>90-7150-002 (SHEET 2)</b>
	CNH	2/9/16	

ITEM NO	PART NUMBER	DESCRIPTION	QTY
1	10-10-0060	CONDENSER COIL	1
2	30-3115-009	3115 - CONDENSER COVER ASSY	1
3A	14-10-1410	12V CONDENSER FAN	1
3B	14-10-1411	24V CONDENSER FAN	1
4	16-40-1104	FRESH AIR INLET	1
5	16-40-1104S	FRESH AIR INLET SCREEN	1
6	31-1104-001	GASKET FRESH AIR	1
7	30-3115-003	3115 - SERVICE PANEL	1
8	35-7150-004	#10 SUCTION HOSE ASSEMBLY	1
9	35-7150-002	#6 CONDENSER TO DRIER HOSE ASSY	1
10	35-7150-003	#8 DISCHARGE HOSE ASSY	1
11	35-7150-001	#6 DRIER TO TXV HOSE ASSEMBLY	1
12	12-10-3000	PRESSURE SWITCH	1
13A	12-53-2003	RELAY WP 12V	1
13B	12-53-4003	RELAY WP 24V	1
14	13-10-1005	RECEIVER / DRIER	1
# 15	33-3060-001	CONDENSER WIRE HARNESS	1
<b>PRESSURIZER READY PARTS</b>			
16	16-40-1101	PRESSURIZER RING 3"	1

# NOT SHOWN



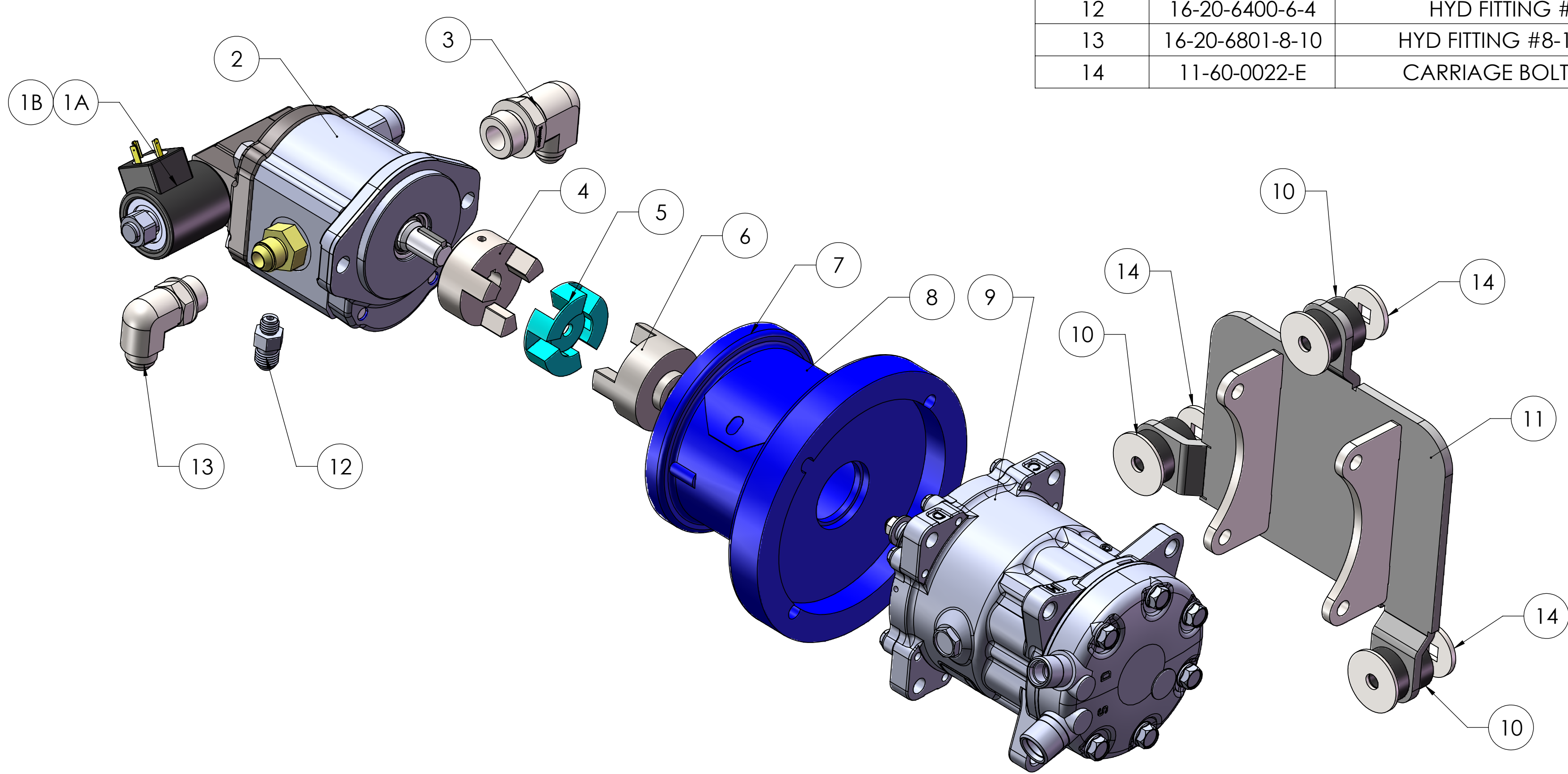
**CONDENSER ASSEMBLY**

**VISIONAIRE, INC.**  
 MANUFACTURER AND DISTRIBUTOR OF HEATERS AND  
 AIR CONDITIONERS FOR HEAVY EQUIPMENT

1502 109TH STREET  
 GRAND PRAIRE, TEXAS 75050  
 972-647-1056      www.visionaire-inc.com

DRAWN	NAME	DATE	DOCUMENT NO: <b>90-7150-002 (SHEET 3)</b>
ENG APPR.	RP	1/18/15	
	CNH	2/9/16	

ITEM NO	PART NUMBER	DESCRIPTION	QTY
1A	12-20-4060	COIL 12V	1
1B	12-20-4061	COIL 24V	1
2	14-80-0209	16CC HYD MOTOR W/VALVE	1
3	16-20-6801-8-12	HYD FITTING #8-12 90 DEG	1
4	14-82-0100	MAG COUPLING - HYD MOTOR	1
5	14-82-0102	DD COUPLING INSERT	1
6	14-80-0110	MAG COUPLING - COMPRESSOR	1
7	14-81-0100	BELL HOUSING	1
8	14-81-0101	BELL HOUSING COVER	1
9	11-10-0071	SD7 COMPRESSOR	1
10	14-90-5011	VIBRATION ISOLATOR	3
11	11-60-0024	1305 - MOUNT	1
12	16-20-6400-6-4	HYD FITTING #6-4 ST	1
13	16-20-6801-8-10	HYD FITTING #8-10 90DEG	1
14	11-60-0022-E	CARRIAGE BOLT SPACER	3

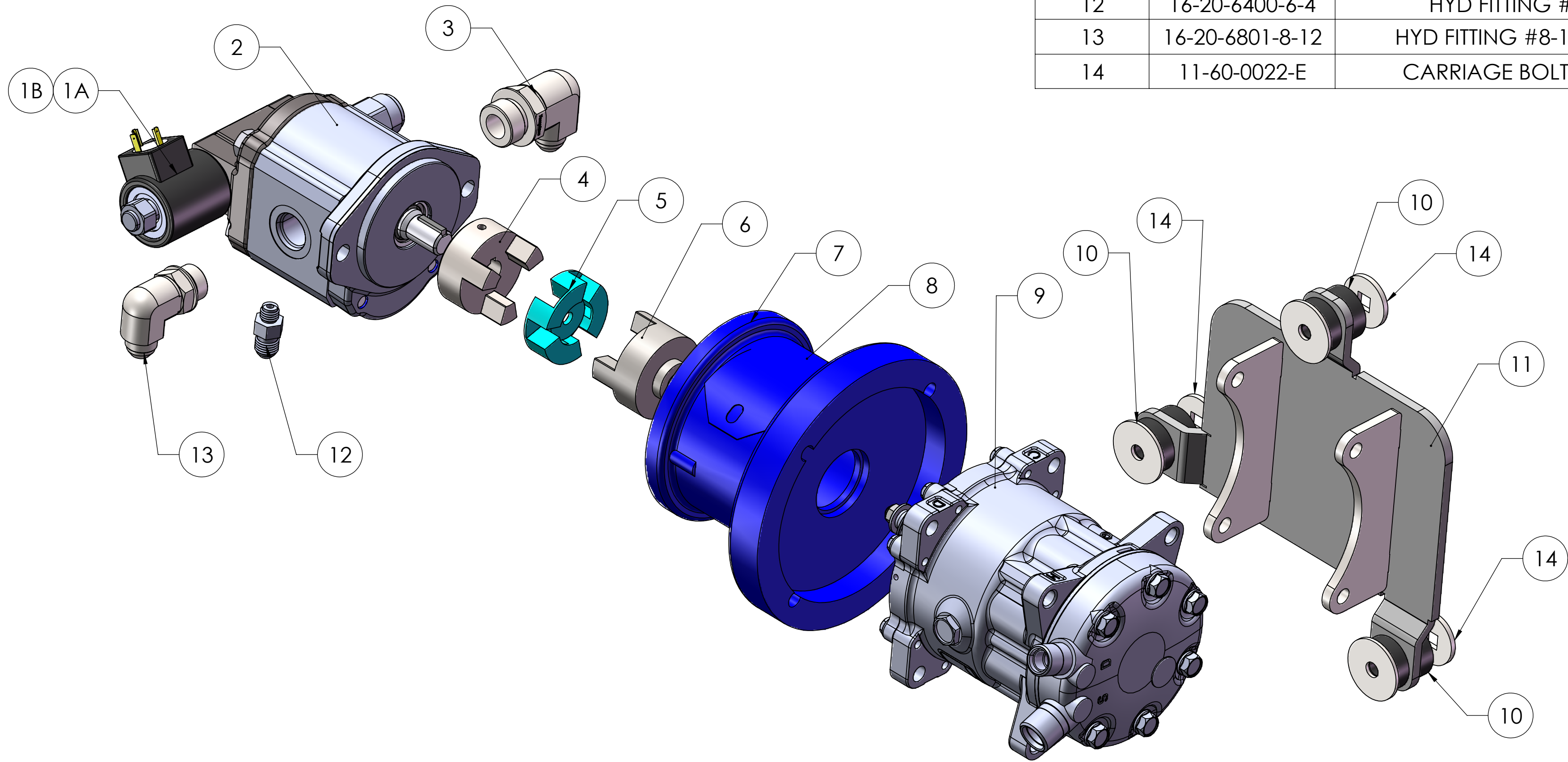


**MODEL: 41-1305-1647** HYD DD 16CC SD7 12V  
**41-1305-2647** HYD DD 16CC SD7 24V

**VISIONAIRE, INC.**  
 MANUFACTURER AND DISTRIBUTOR OF HEATERS AND AIR CONDITIONERS FOR HEAVY EQUIPMENT  
 1502 109TH STREET  
 GRAND PRAIRE, TEXAS 75050  
 972-647-1056 www.visionaire-inc.com

DRAWN	NAME	DATE	DOCUMENT NO: <b>90-1305-001</b>
ENG APPR.	RP	1/18/15	
	CNH	2/9/16	

ITEM NO	PART NUMBER	DESCRIPTION	QTY
1A	12-20-4060	COIL 12V	1
1B	12-20-4061	COIL 24V	1
2	14-80-0207	19CC HYD MOTOR W/VALVE	1
3	16-20-6801-8-16	HYD FITTING #8-16 90 DEG	1
4	14-82-0111	MAG COUPLING - HYD MOTOR	1
5	14-82-0102	DD COUPLING INSERT	1
6	14-80-0110	MAG COUPLING - COMPRESSOR	1
7	14-81-0100	BELL HOUSING	1
8	14-81-0101	BELL HOUSING COVER	1
9	11-10-0071	SD7 COMPRESSOR	1
10	14-90-5011	VIBRATION ISOLATOR	3
11	11-60-0024	1305 - MOUNT	1
12	16-20-6400-6-4	HYD FITTING #6-4 ST	1
13	16-20-6801-8-12	HYD FITTING #8-12 90 DEG	1
14	11-60-0022-E	CARRIAGE BOLT SPACER	3

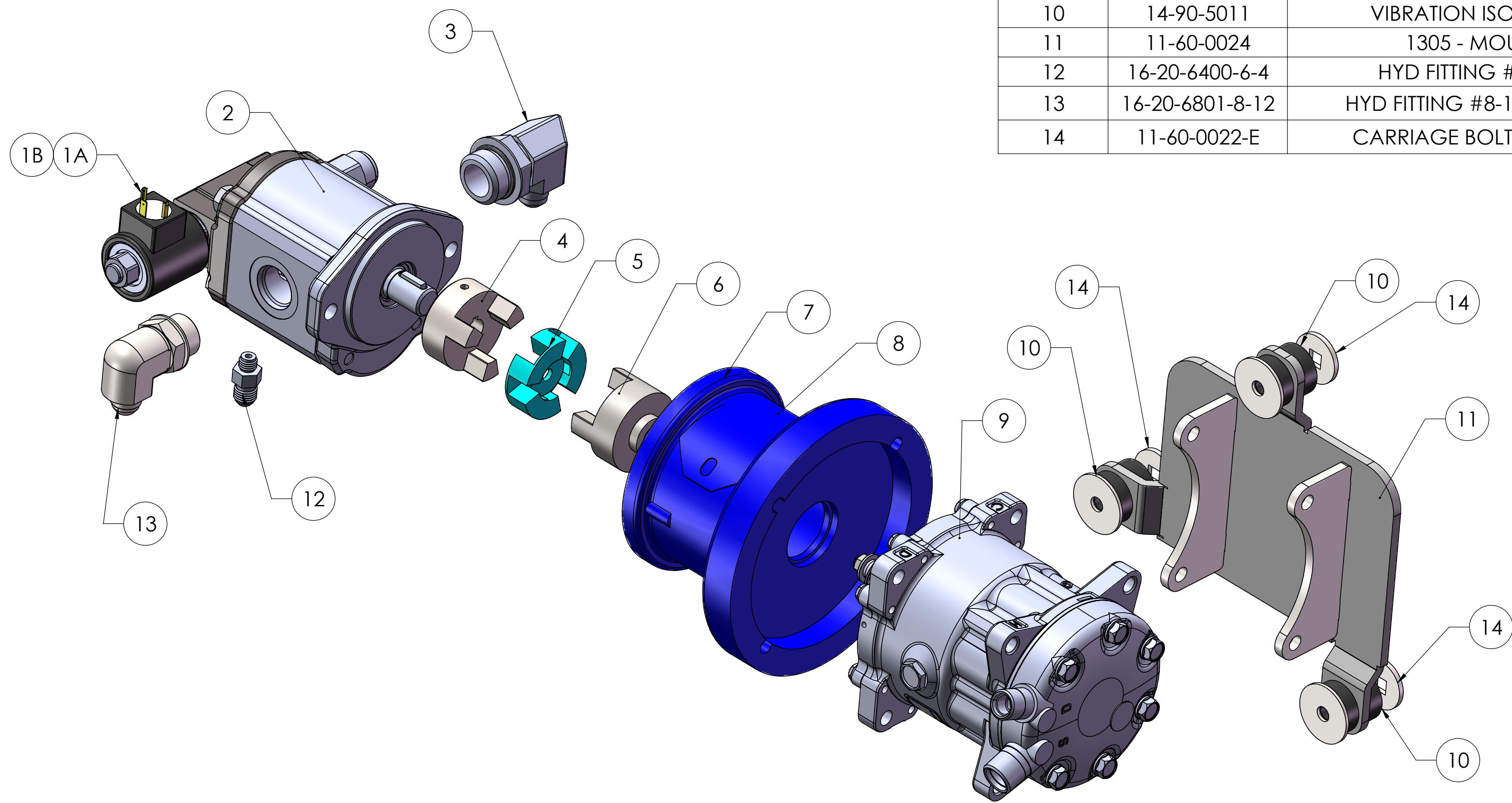


**MODEL: 41-1305-1667** HYD DD 19CC SD7 12V  
**41-1305-2667** HYD DD 19CC SD7 24V

**VISIONAIRE, INC.**  
 MANUFACTURER AND DISTRIBUTOR OF HEATERS AND AIR CONDITIONERS FOR HEAVY EQUIPMENT  
 1502 109TH STREET  
 GRAND PRAIRE, TEXAS 75050  
 972-647-1056 www.visionaire-inc.com

DRAWN	NAME	DATE	DOCUMENT NO: <b>90-1305-002</b>
ENG APPR.	RP	3/25/16	
	CNH	3/26/16	

ITEM NO	PART NUMBER	DESCRIPTION	QTY
1A	12-20-4060	COIL 12V	1
1B	12-20-4061	COIL 24V	1
2	14-80-0208	27CC HYD MOTOR W/VALVE	1
3	16-20-6801-8-16	HYD FITTING #8-16 90 DEG	1
4	14-82-0111	MAG COUPLING - HYD MOTOR	1
5	14-82-0102	DD COUPLING INSERT	1
6	14-80-0110	MAG COUPLING - COMPRESSOR	1
7	14-81-0100	BELL HOUSING	1
8	14-81-0101	BELL HOUSING COVER	1
9	11-10-0071	SD7 COMPRESSOR	1
10	14-90-5011	VIBRATION ISOLATOR	3
11	11-60-0024	1305 - MOUNT	1
12	16-20-6400-6-4	HYD FITTING #6-4 ST	1
13	16-20-6801-8-12	HYD FITTING #8-12 90 DEG	1
14	11-60-0022-E	CARRIAGE BOLT SPACER	3



**MODEL: 41-1305-1677** HYD DD 27CC SD7 12V  
**41-1305-2677** HYD DD 27CC SD7 24V

**VISIONAIRE, INC.**  
 MANUFACTURER AND DISTRIBUTOR OF HEATERS AND AIR CONDITIONERS FOR HEAVY EQUIPMENT  
 1502 109th STREET  
 GRAND PRAIRE, TEXAS 75050  
 972-647-1056 www.visionaire-inc.com

DRAWN	NAME	DATE	DOCUMENT NO: <b>90-1305-003</b>
ENG APPR.	RP	3/25/16	
	CNH	3/26/16	