

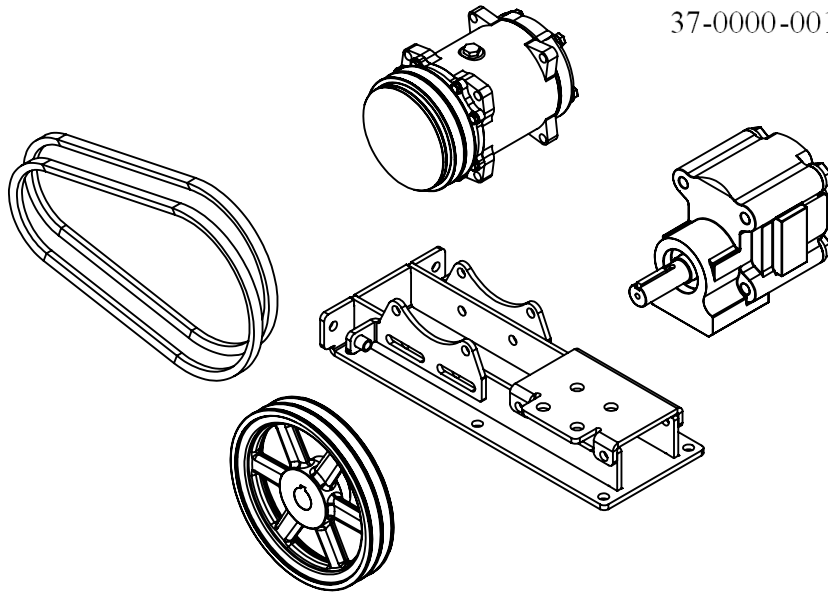
41-1200-210

24 V HYDRAULIC MOTOR COMP. ASSY.

COMPONENT  
FIND# STEP

REV TYP QTY/BILL U/M DESCRIPTION

11-10-4506	000	1.00 EACH	COMP. - SANDEN 24V 134a
11-60-0010	000	1.00 EACH	MOUNT (COMP. & HYD MOTOR)
11-70-1037	000	2.00 EACH	COMPRESSOR BELT
14-80-0010	000	1.00 EACH	MOTOR, HYDRAULIC - CI - 10 GPM
14-82-0010	000	1.00 EACH	SHEAVE, 8inX1in 2 GR
16-20-2404-6-4	000	1.00 EACH	HYDRAULIC FITTING--ST- MT- MP
16-20-6801-8-8	000	2.00 EACH	HYDR. FITT.-90 DEGREE-MT-AO
37-0000-001	000	1.00 EACH	SERIAL I.D. PLATE



**PROPRIETARY AND CONFIDENTIAL**  
THE INFORMATION CONTAINED IN THIS DRAWING IS THE SOLE PROPERTY OF <INSERT COMPANY NAME HERE>. ANY REPRODUCTION IN PART OR AS A WHOLE WITHOUT THE WRITTEN PERMISSION OF <INSERT COMPANY NAME HERE> IS PROHIBITED.

		UNLESS OTHERWISE SPECIFIED:	NAME	DATE
		DIMENSIONS ARE IN INCHES	DRAWN	
		TOLERANCES:	CHECKED	
		FRACTIONAL ±	ENG APPR.	
		ANGULAR: MACH ± BEND ±	MFG APPR.	
		TWO PLACE DECIMAL ±	Q.A.	
		THREE PLACE DECIMAL ±	COMMENTS:	
		INTERPRET GEOMETRIC TOLERANCING PER:		
		MATERIAL		
		FINISH		
NEXT ASSY	USED ON			
APPLICATION		DO NOT SCALE DRAWING		

**VISIONAIRE, INC.**

TITLE:  
24V HYD COMPRESSOR ASSBY

SIZE DWG. NO. REV  
**A 41-1200-210**

SCALE: 1:8 WEIGHT: SHEET 1 OF 1