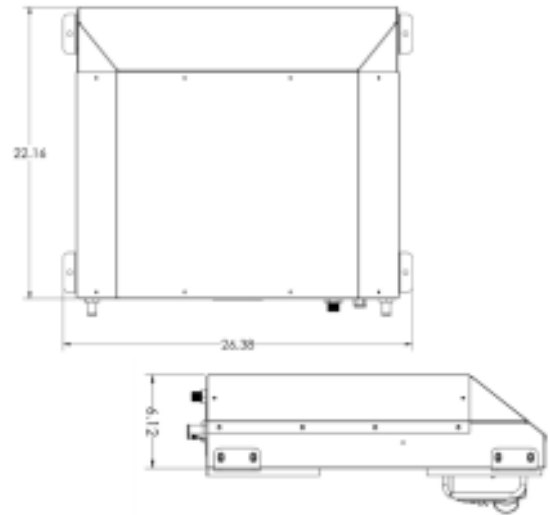


Evaporator Unit

44-4025 Roof Mount

Air Conditioner/Heater

Model 4025: Heavy Duty, Roof Mounted Evaporator/Heater For Small To Mid-Size Cabs. Three Speed Blower Offering 260CFM. Perfect for Skid Steer, Lift Truck & Other Vehicles Where Space Is Limited.



Part No.

44-4025-1190 A/C-Heat 12V
44-4025-2190 A/C-Heat 24V

Options

Condenser
Compressor
Refrigerant Hose Kit
Mounting Feet
Heater Hose Kit

Specifications

Air Flow: 260 CFM
Capacity: Cooling - 17,500 BTU/h
Heating - 26,500 BTU/h
Current: 9.8A @ 12 VDC
Draw: 5A @ 24 VDC
Weight:: 40 Lbs/18.1Kgs

Condenser

Service Parts

Description	Part No.	Description	Part No.	Description	Part No.
Expansion Valve	12-11-2000	Thermostat	12-54-1001	Actuator	12-31-1072
Blower Assy 12V	12-20-0042	Mode Switch	12-50-3001	Push/Pull Cable	12-39-1053
Blower Assy 24V	14-20-0043	Fan Speed Switch	12-50-2001	Knob—Heat	12-51-2006
Evaporator Coil	10-20-4050	Relay - 12V	12-53-2001	Louver 3"	12-40-1300
Evaporator/Heater Coil	10-40-4025	Relay - 24V	12-53-4001	Louver 2"	12-40-1320
Return Air Filter	15-10-2001	Water Valve	12-31-0001		