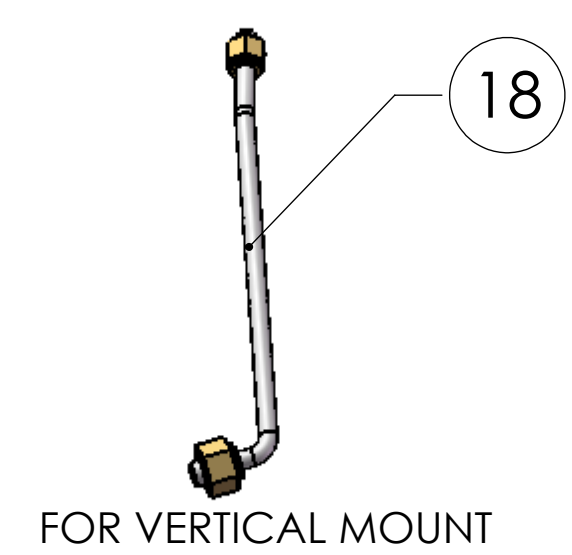
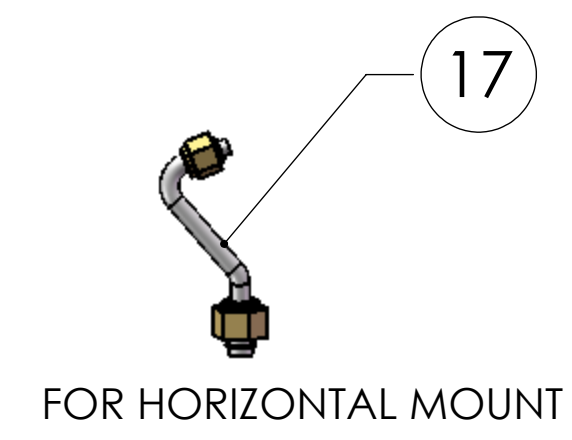


ITEM NO.	PART NO.	DESCRIPTION	QTY.
1	10-10-3030	CONDENSER COIL 3030/7060	1
2	12-20-4900	HYDRA DIN CONNECTOR	1
3	12-52-1030	CIRCUIT BREAKER 30 AMP	1
4	12-52-1015	CIRCUIT BREAKER 15 AMP	1
5	12-53-2003	RELAY 12V WP W/RESISTOR	1
6	12-53-4003	RELAY 24V WP W/RESISTOR	1
7	13-10-1005	DRIER - 7110	1
8	14-10-1220	COND. FAN 12",12V	1
9	14-10-1221	COND. FAN 12",24V	1
10	14-90-1001	FAN GUARD 14.4" - 7070	1
11	16-92-4010	RUBBER WASHER	4
12	30-7060-117	7060 DD TOP	1
13	30-7060-118	7060DD - COND HOUSING ASSY	1
# 14	33-7060-003	WIRE HARNESS - 7060 CONDENSER	1
15	35-3130-016	3130 SUCTION TUBE	1
16	35-7060-012	TUBE COND - DRIER 7060DD	1
17	35-7060-014	TUBE LIQUID-H/DD 7060	1
18	35-7060-015	LIQUID TUBE - V/DD 7060	1
19	41-1312-1441	MODEL 1312 DIRECT DRIVE 12V	1
20	41-1312-2441	MODEL 1312 DIRECT DRIVE 24V	1

PARTS NOT SHOWN



MODEL 43-3130-1112: 3030 CONDENSER 12V WITH DD COMPRESSOR HORIZONTAL OR VERTICAL MOUNT
43-3130-2112: 3030 CONDENSER 24V WITH DD COMPRESSOR HORIZONTAL OR VERTICAL MOUNT

VISIONAIRE, INC.
 MANUFACTURER AND DISTRIBUTOR OF HEATERS AND AIR CONDITIONERS FOR HEAVY EQUIPMENT

1502 109th STREET
 GRAND PRAIRE, TEXAS 75050
 972-647-1056 www.visionaire-inc.com

DRAWN	NAME	DATE	DOCUMENT NO.:
ENG APPR.	MS	11/14/13	90-3130-001