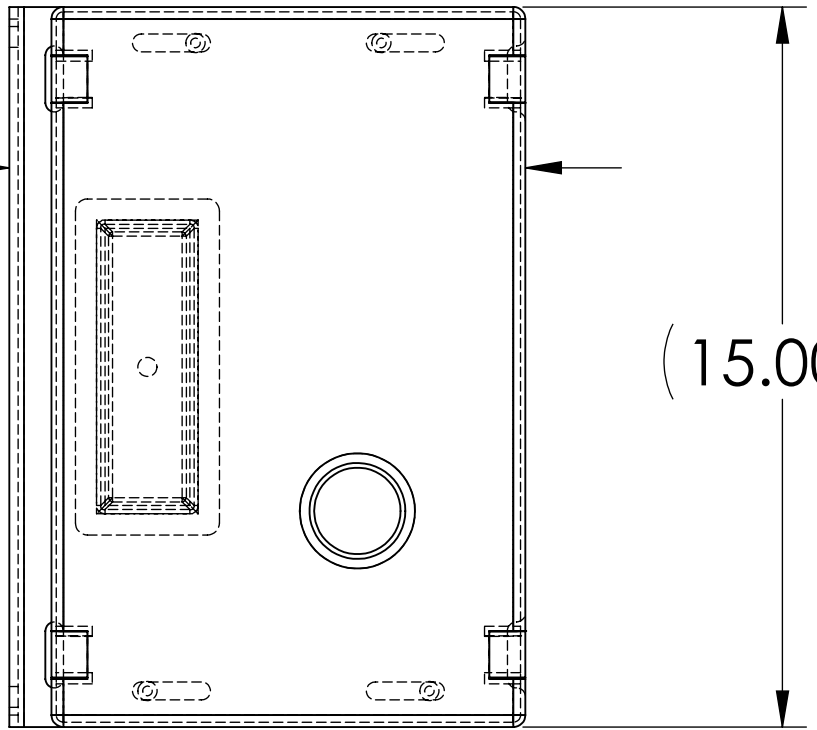


8 7 6 5 4 3 2 1

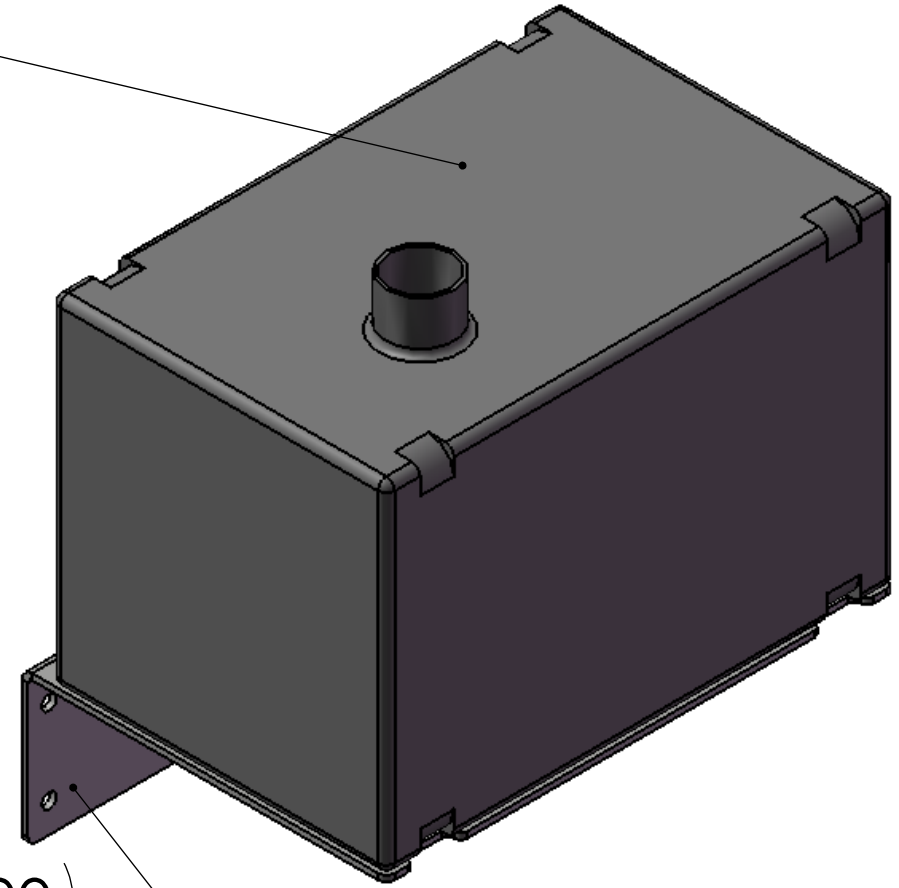
D

(10.750)



(15.000)

6 GAL FUEL TANK

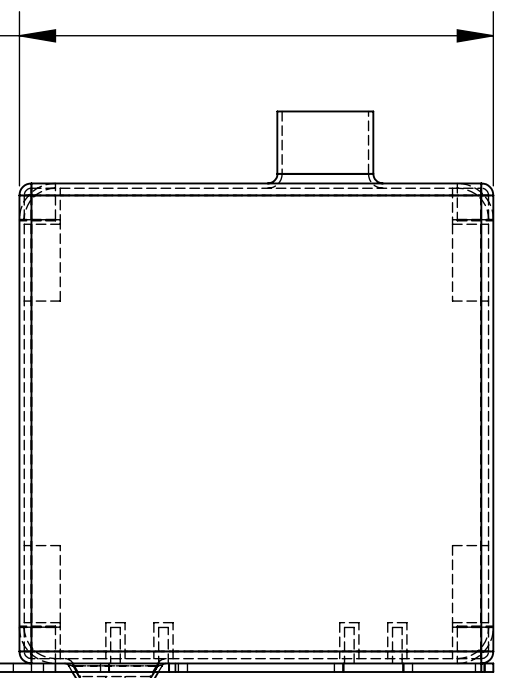


7 GA MOUNT

C

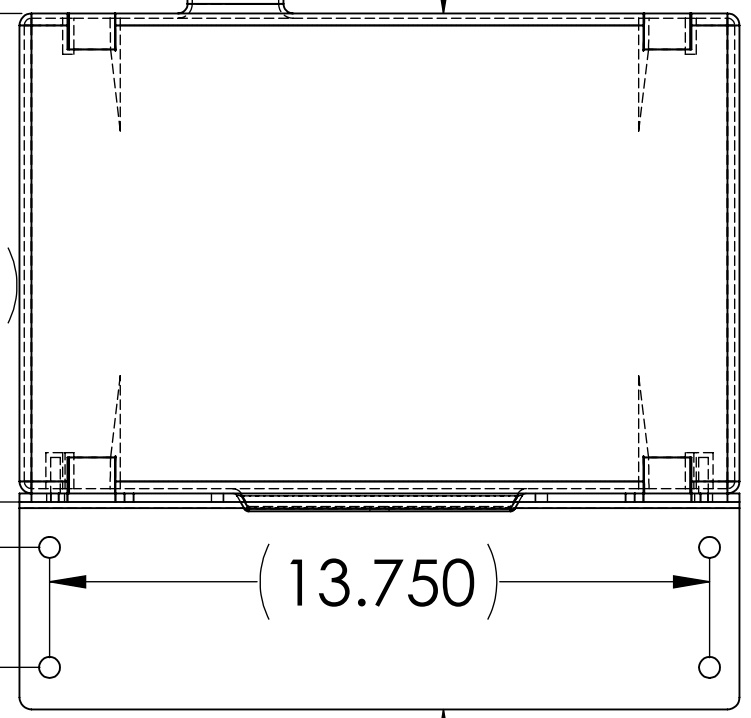
B

(9.875)



(10.179)

(14.500)



(13.750)

(2.500)

A

(.179)

UNLESS OTHERWISE SPECIFIED:

DIMENSIONS ARE IN INCHES
TOLERANCES:
FRACTIONAL ± 1/16"
ANGULAR: BEND ± 1 DEG
TWO PLACE DECIMAL ± 0.030
THREE PLACE DECIMAL ± 0.010

INTERPRET GEOMETRIC
TOLERANCING PER:

MATERIAL
X
FINISH --

	DATE	NAME
DRAWN	01/16/08	PDC
CHECKED		
ENG APPR.		
MFG APPR.		
Q.A.		
COMMENTS:		

VISIONAIRE, INC.

TITLE:
**30-2900-004
ASSY**

SIZE	DWG. NO.	REV
B		0

SCALE: 1:4 WEIGHT: SHEET 1 OF 2

8 7 6 5 4 3 2 1