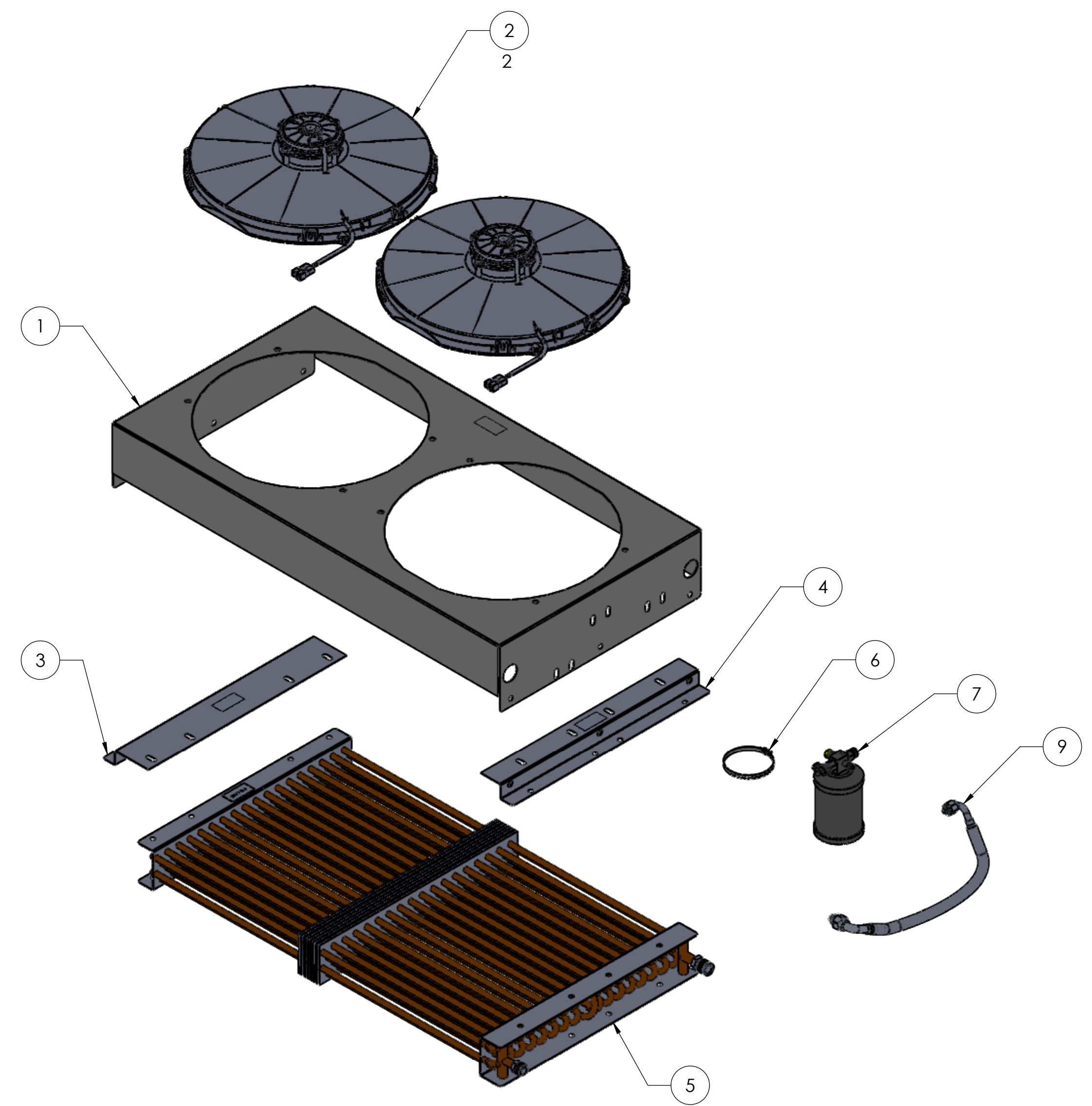


ITEM NO.	PART NUMBER	DESCRIPTION	QTY.
1	30-3085-000	CONDENSER HOUSING DUAL FAN ROOFTOP ASSY	1
2	14-10-1613	COND FAN - 16", 24V, HEAVY DUTY	2
3	30-3085-003	COIL SUPPORT BRACKET LEFT SIDE	1
4	30-3085-002	COIL SUPPORT BRACKET RIGHT SIDE ASSY	1
5	10-10-3085	CONDENSER COIL - 29.63" X 18" X 3.10"	1
6	16-91-1048	#48 HOSE CLAMP	1
7	13-10-2003	DRIER	1
8	16-12-1322	#8 FOR 90 DEG	1
9	16-12-1321	#6 FOR 90 DEG	1
10	17-11-0800	E-Z CLIP REF HOSE #8	1
11	16-12-1008	#8 CAGE FITTING TO HOSE	1
12	16-12-2008	#8 CLIPS - HOSE/CAGE CONN.	1
13	16-12-1010	#10 CAGE FITTING TO HOSE	1
14	16-12-2010	#10 CLIPS - HOSE/CAGE CONN.	1

\* = ITEMS NOT SHOWN

REVISIONS						
ECR	REV.	DESCRIPTION	DATE	DR.	AUTH.	CHK.
2216	0	INITIAL RELEASE	3/6/2020	MO	AS	AS



UNLESS OTHERWISE SPECIFIED:		NAME	DATE	VISIONAIRE, INC. 1401 VALLEY VIEW LN #135 IRVING, TX 75061		
DIMENSIONS ARE IN INCHES		DRAWN	MO	3/6/20	TITLE: 43-3085-2000	
TOLERANCES:		CHECKED	AS	3/6/20	DUAL FAN CONDENSER ROOFTOP-24V	
FRACTIONAL ± 1/16"		ENG APPR.	AS	3/6/20	SIZE	DWG. NO.
ANGULAR: ± 1		THIRD ANGLE PROJECTION		C	90-3085-001	REV
TWO PLACE DECIMAL ±0.030		PROPRIETARY AND CONFIDENTIAL		SCALE: 1:12		0
THREE PLACE DECIMAL ±0.010		THE INFORMATION CONTAINED IN THIS DRAWING IS THE SOLE PROPERTY OF VISIONAIRE, INC. ANY REPRODUCTION IN PART OR AS A WHOLE WITHOUT THE WRITTEN PERMISSION OF VISIONAIRE, INC., IS PROHIBITED.		SHEET 1 OF 1		
INTERPRET GEOMETRIC TOLERANCING PER: ASME Y14.5-2009		MATERIAL				
SEE NOTES		FINISH				
DO NOT SCALE DRAWING						