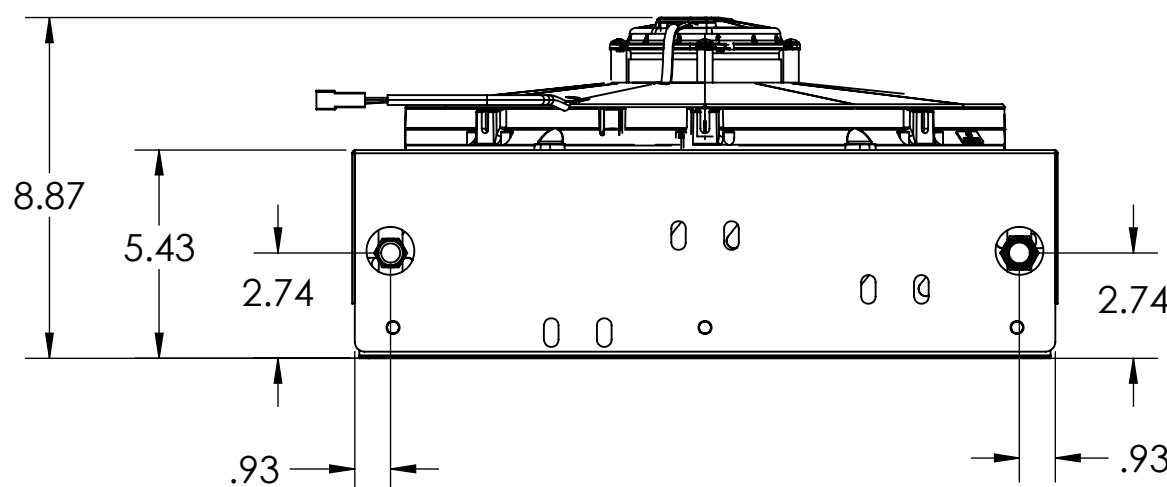
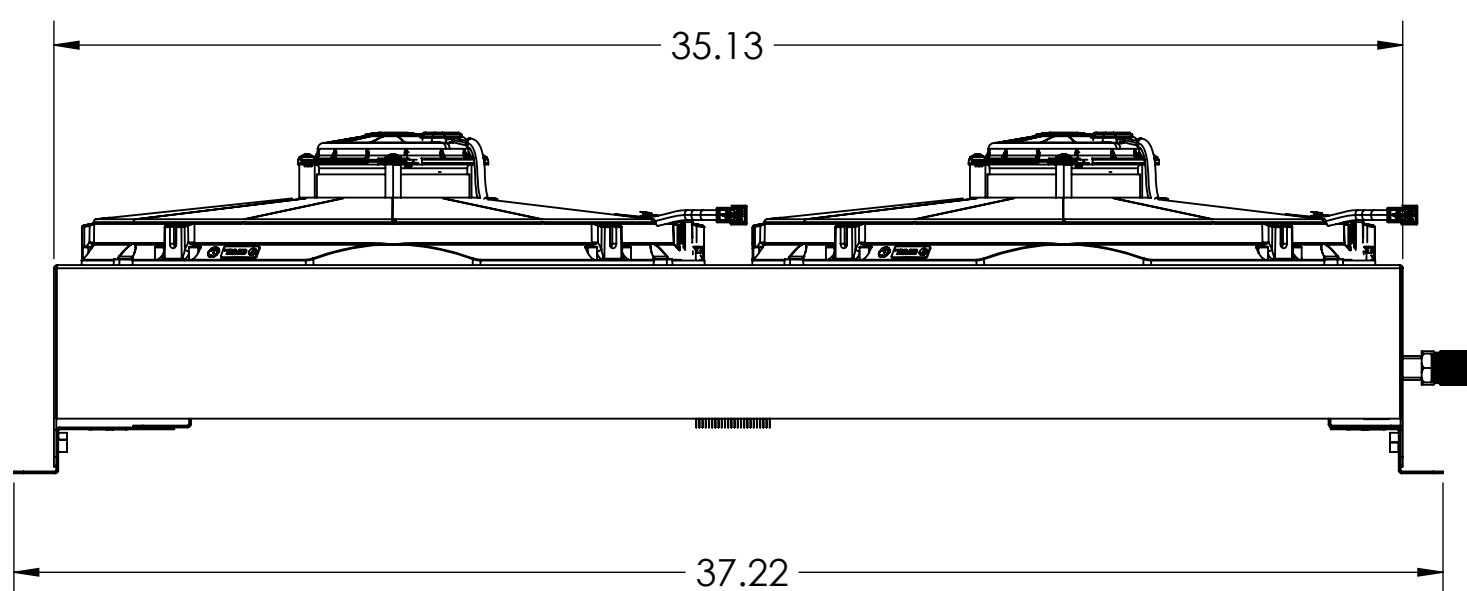
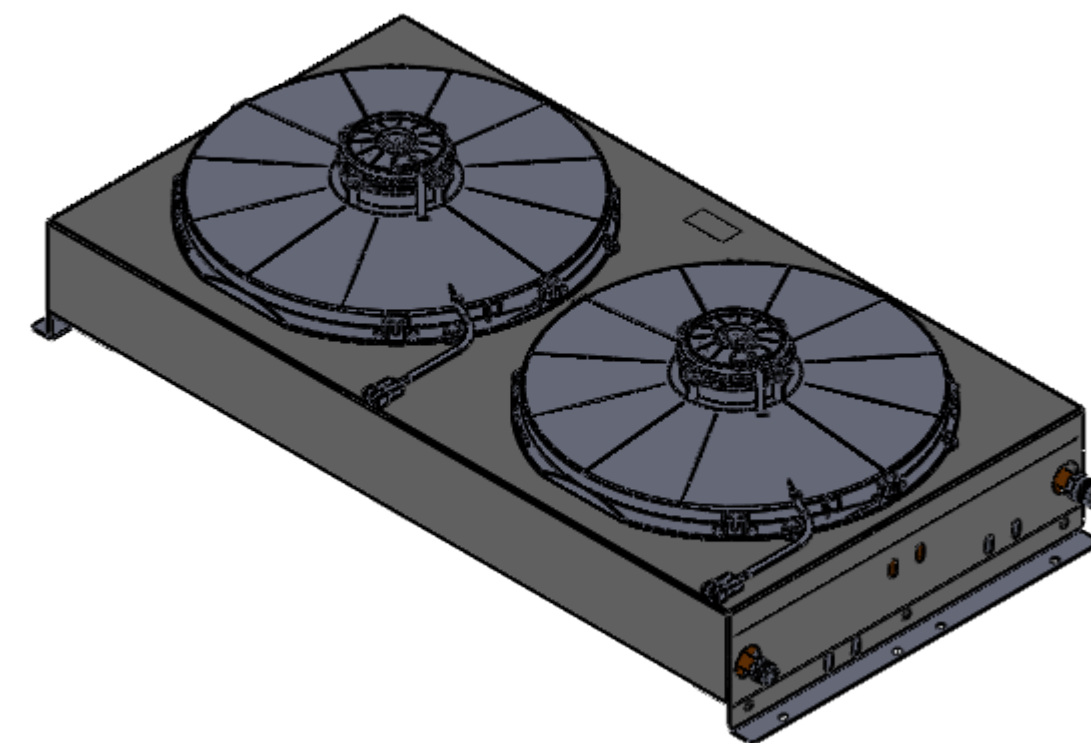
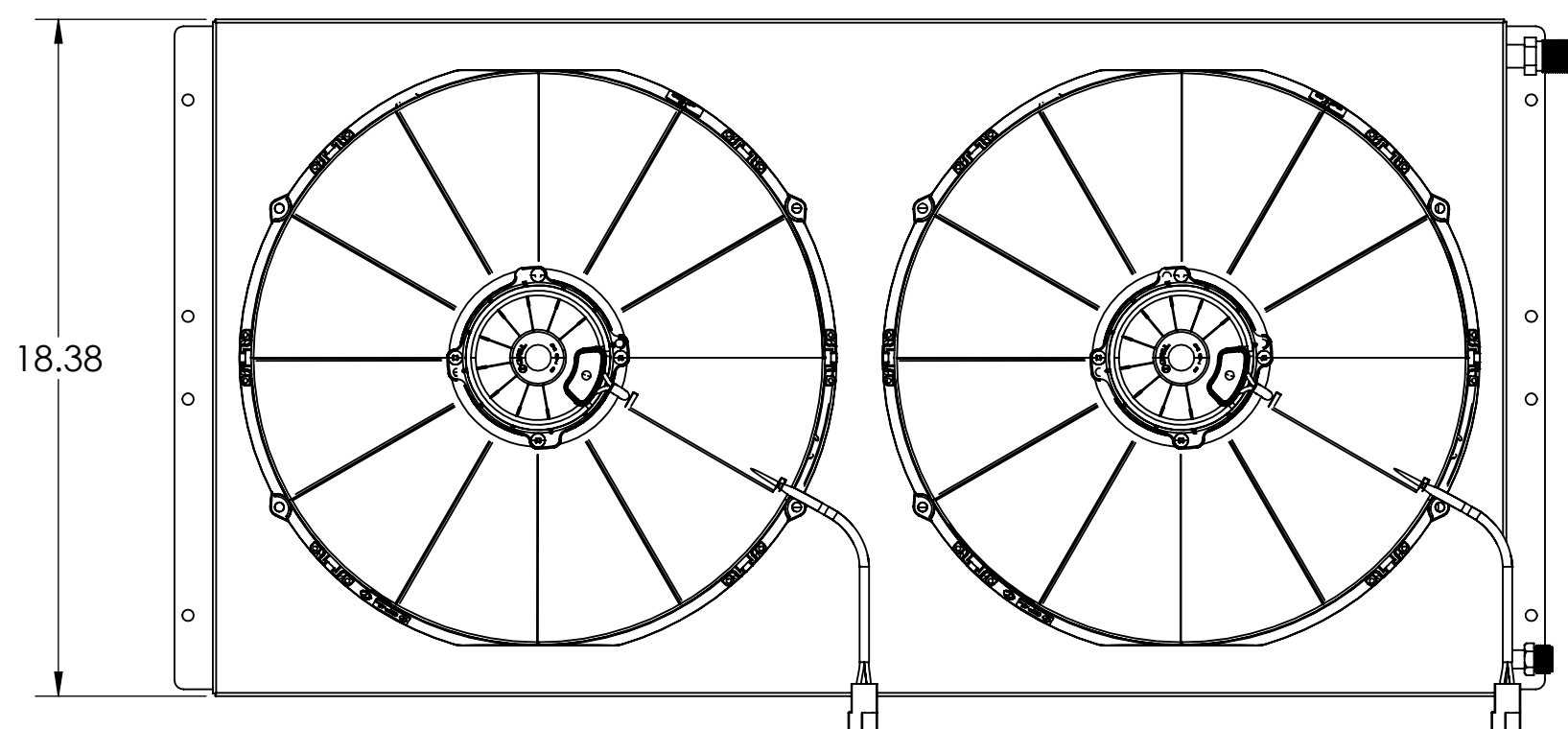


SPECIFICATIONS

HEAT REJECTION CAPACITY	85,000 BTU/HR
AIR FLOW	4,000 CFM
CURRENT DRAW	36A@12VDC (INCLUDES 2 AMPS FOR A/C CLUTCH) 21A@24VDC (INCLUDES 2 AMPS FOR A/C CLUTCH)

REVISIONS

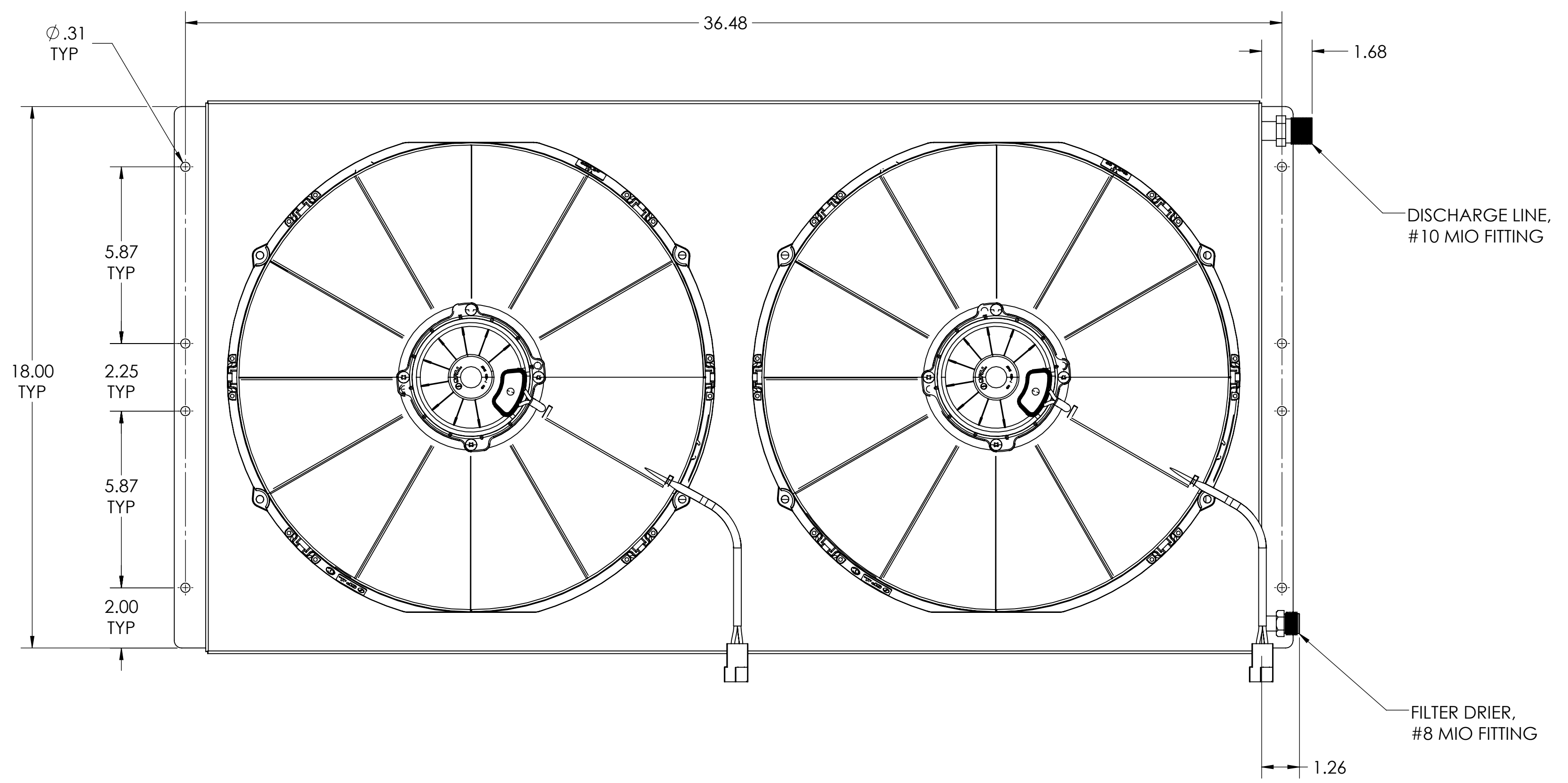
ECR	REV.	DESCRIPTION	DATE	DR.	AUTH.	CHK.
2215	0	INITIAL RELEASE	3/6/2020	MO	AS	AS



43-3085-1000: MODEL 3085 - CONDENSER DUAL FAN ROOFTOP, 12V
43-3085-2000: MODEL 3085 - CONDENSER DUAL FAN ROOFTOP, 24V

UNLESS OTHERWISE SPECIFIED:		NAME	DATE	VISIONAIRE, INC. 1401 VALLEY VIEW LN #135 IRVING, TX 75061 TITLE:
DIMENSIONS ARE IN INCHES	DRAWN	MO	3/6/20	
TOLERANCES: FRACTIONAL ± 1/16" ANGULAR: ± 1° TWO PLACE DECIMAL ± 0.030 THREE PLACE DECIMAL ± 0.010	CHECKED	AS	3/6/20	
INTERPRET GEOMETRIC TOLERANCING PER: ASME Y14.5-2009	ENG APPR.	AS	3/6/20	THIRD ANGLE PROJECTION
MATERIAL	SEE NOTES			PROPRIETARY AND CONFIDENTIAL THE INFORMATION CONTAINED IN THIS DRAWING IS THE SOLE PROPERTY OF VISIONAIRE, INC. ANY REPRODUCTION IN PART OR AS A WHOLE WITHOUT THE WRITTEN PERMISSION OF VISIONAIRE, INC., IS PROHIBITED.
FINISH	SEE NOTES			
DO NOT SCALE DRAWING				
SIZE DWG. NO. REV C 90-3085-000 0				
SCALE: 1:8				SHEET 1 OF 2

3085 - OVERALL DIMENSIONS



VISIONAIRE, INC.		DO NOT SCALE DRAWING
SIZE	DWG. NO.	REV
C	90-3085-000	0
SCALE: 1:8		SHEET 2 OF 2