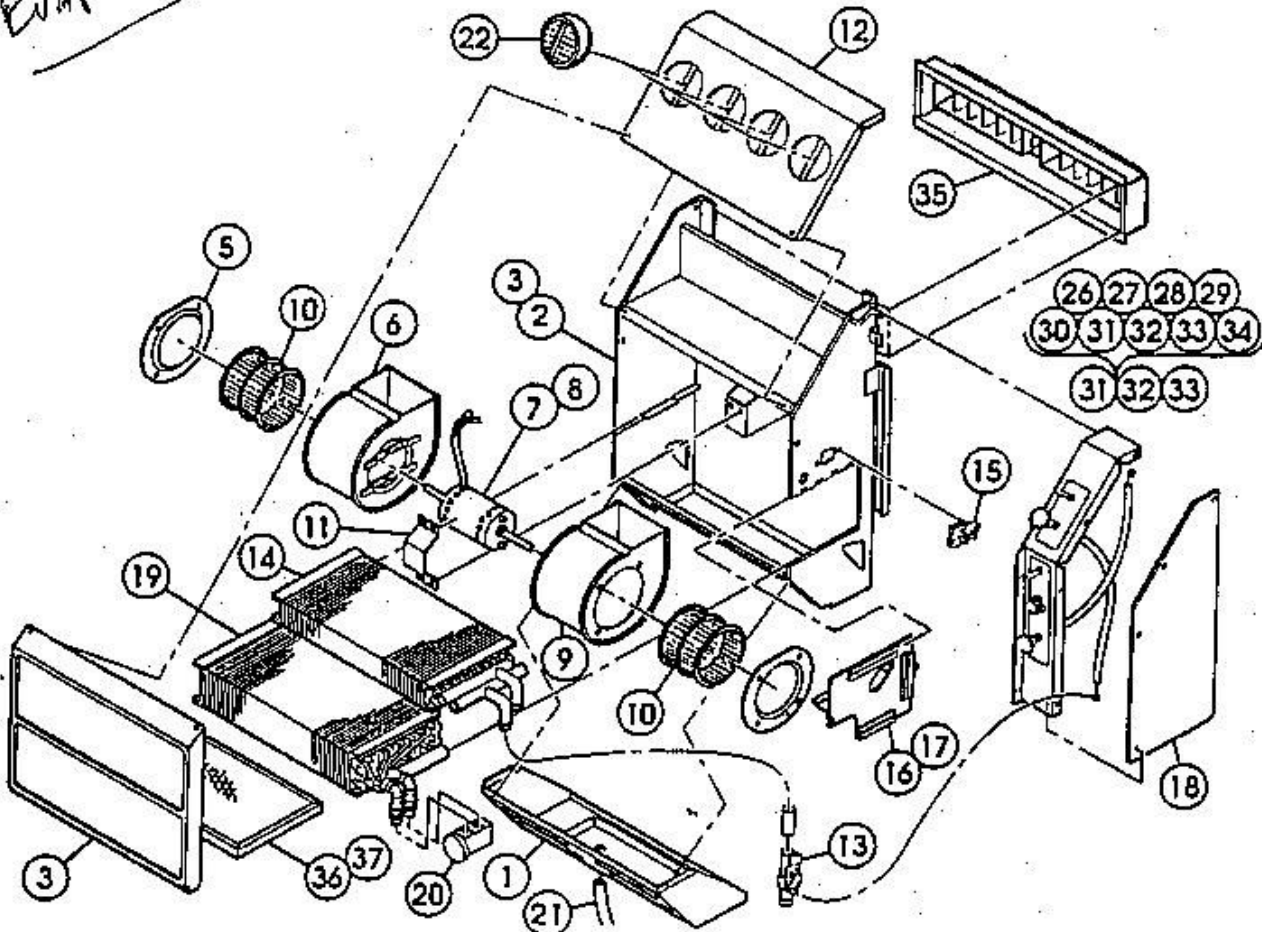


VISIONAIRE, INC.

Manufacturers and Distributors of
Heating and A/C for Heavy Equipment

Evaporator

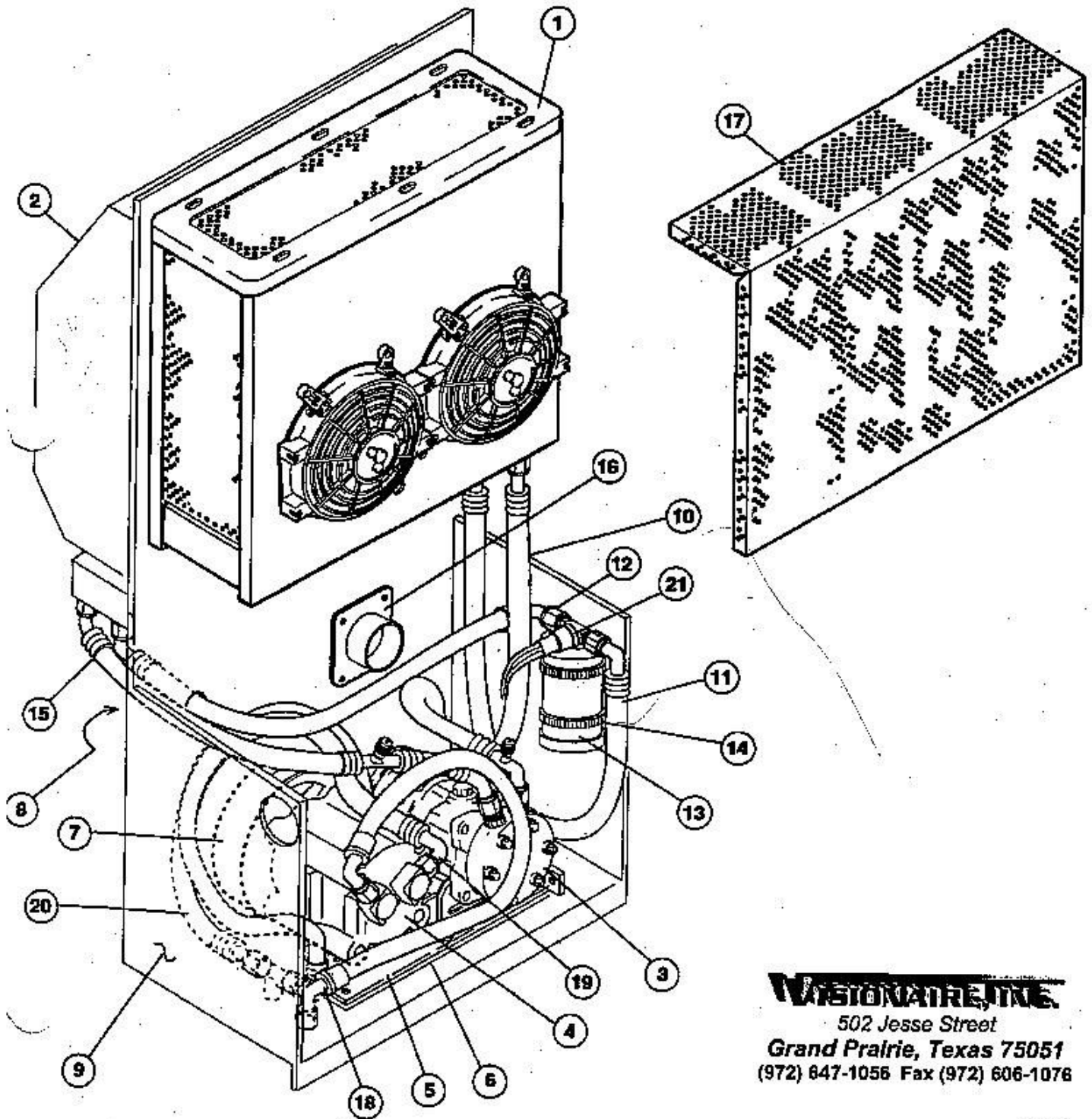
29-75045 & 29-75045-24



ITEM	NOTE	PART NO.	DESCRIPTION	CAT. NO.	ITEM	NOTE	PART NO.	DESCRIPTION	CAT. NO.
1		RD-3205-29	AIR INTAKE COVER		20		RD-4157-0	EXPANSION VALVE	71R 8300
2	AB	RD-3-3122-1	HOUSING ASSY		21		RD-5-3550-24	DRAIN HOSE	78R 0070
3	C	RD-3-3122-2	HOUSING ASSY		22		RD-5-5223-2	AIR DIFFUSER ASSY (4)	72R 3110
4		RD-3-3121-1	CORE COVER ASSY-FRT.		23	B	RD-3-3130-1	CONTROL PANEL ASSY	
5		RD-3-2592-0	ENTRY RING (2)		24	A	RD-3-3130-2	CONTROL PANEL ASSY	71R 0400
6		RD-3-2547-0	BLOWER ASSY		25	C	RD-3-3130-3	CONTROL PANEL ASSY	
7		RD-5-5049-0	MOTOR 12V	73R 4322	26	BC	RD-3-5106-1	PANEL - CONTROL	
8		RD-5-5049-24	MOTOR 24V	73R 4324	27	A	RD-3-5106-2	PANEL - CONTROL	71R 0200
9		RD-3-2547-1	BLOWER ASSY		28	AD	RD-5-3646-0	SWITCH - 3 SPEED	71R 2250
10		RD-3-2557-0	BLOWER WHEEL (2)		29	BC	RD-4124-20	CABLE - CONTROL (2)	71R 4050
11	BC	RD-3-3174-0	RETAINER - MOTOR		30	BC	RD-5-3764-0	NUT - BEZEL (2)	
12	BC	RD-3-3128-0	PANEL ASSY - TOP		31	BC	RD-4123-2	SWITCH - TOGGLE	
13	BC	RD-5-5300-1	WATER VALVE	72R 5210	32	BC	RD-5-0071-0	SWITCH - TOGGLE	
14	BC	RD-1-0325-0	HEATER CORE ASSY	76R 3500	33	D	RD-4125-36	THERMOSTAT - VARIABLE	
15	A	RD-5-3647-0	RESISTOR	71R 1450	34		RD-5-5928-0	KNOB - CONTROL	
16		RD-3-3315-0	COVER ASSY-CORE SIDE		35	A	RD-3-3133-0	LOUVER ASSY (PURCH. SEP.)	
17		RD-3-3315-1	COVER ASSY-CORE SIDE		36	BC	RD-5-5428-0	FILTER	
18		RD-3-3132-1	PLATE ASSY SIDE		37	BCD	RD-3-3753-0	CLIP FILTER (2)	
19		RD-2-1370-0	EVAPORATOR ASSY						

A. USED ON R-5045-1 A/C ONLY MODEL B. USED ON R-5045-2 HTR-A/C MODEL C. USED ON R-5045-2 HTR-A/C MODEL D. NOT SHOWN

29-5045/29 BD & 29-5045/29 BD-24



VISIONAIRE, INC.
502 Jesse Street
Grand Prairie, Texas 75051
(972) 647-1056 Fax (972) 606-1076

29 - 5045/29 BD & 29 - 5045/29 BD-24 PARTS LIST

ITEM#	PART NUMBER	DESCRIPTION	NOTES
1	29 - 75207	CONDENSER - 12V (SEE PARTS LIST)	
1	29 - 75207-24	CONDENSER - 24V (SEE PARTS LIST)	
2	29 - 75045	EVAPORATOR (SEE PARTS LIST)	
2	29 - 75045-24	EVAPORATOR (SEE PARTS LIST)	
3	203 - 4510	COMPRESSOR - SANDEN 12V 134a	
3	203 - 4506	COMPRESSOR - SANDEN 24V 134a	
4	204 - 1100	HYDRAULIC MOTOR	
5	100 - 0001	MOUNT (COMP. & MOTOR), BELT (2)	
6	102 - 0616	ISOLATER PAD (6" X 16")	
7	204 - 1101	SHEAVE (8")	
8	102 - 2537	INSULATION FOAM (25" X 37")	
9	100 - 3023	WALL PLATE	
10	105 - 5045-8	DISCHARGE LINE	
11	105 - 5045-6A	LIQUID LINE (COND. & DRIER)	
12	105 - 5045-6B	LIQUID LINE (DRIER TO EXP. VALVE)	
13	107 - 8412	DRIER W/ SCHRADER PORT	
14	107 - 8000	DRIER BRACKET	
15	105 - 5045-10	SUCTION LINE	
16	100 - 4812 R	PRESSURIZER RING	
17	100 - 3123	WALL PLATE GRILL	
18	204 - 3101-A	HYDRAULIC HOSE - POWER	*
19	204 - 3102-A	HYDRAULIC HOSE - TANK	*
20	204 - 3103-A	HYDRAULIC HOSE - CASE DRAIN	*
21	104 - R7100	BINARY SWITCH	
	204 - 6801-8-8	HYD. FITTING - MT - AO	2*
	204 - 2404-8-4	HYD. FITTING - MT-MP	*
	204 - 2700-8-8	HYD. FITTING - BULKHEAD	2*
	204 - 6802-8-8-8	HYD. FITTING - TEE	*
	204 - 0306-8	HYD. FITTING - BULKHEAD LOCK UNIT	2*
	104 - 1702	RELAY 12V	*
	104 - 1042	CIRCUIT BREAKER - 15 AMP	*
	104 - 1044	CIRCUIT BREAKER - 25 AMP	*
	104 - 1704	RELAY 24V	*
	104 - 1043	CIRCUIT BREAKER - 10 AMP	*
	104 - 1042	CIRCUIT BREAKER - 15 AMP	*

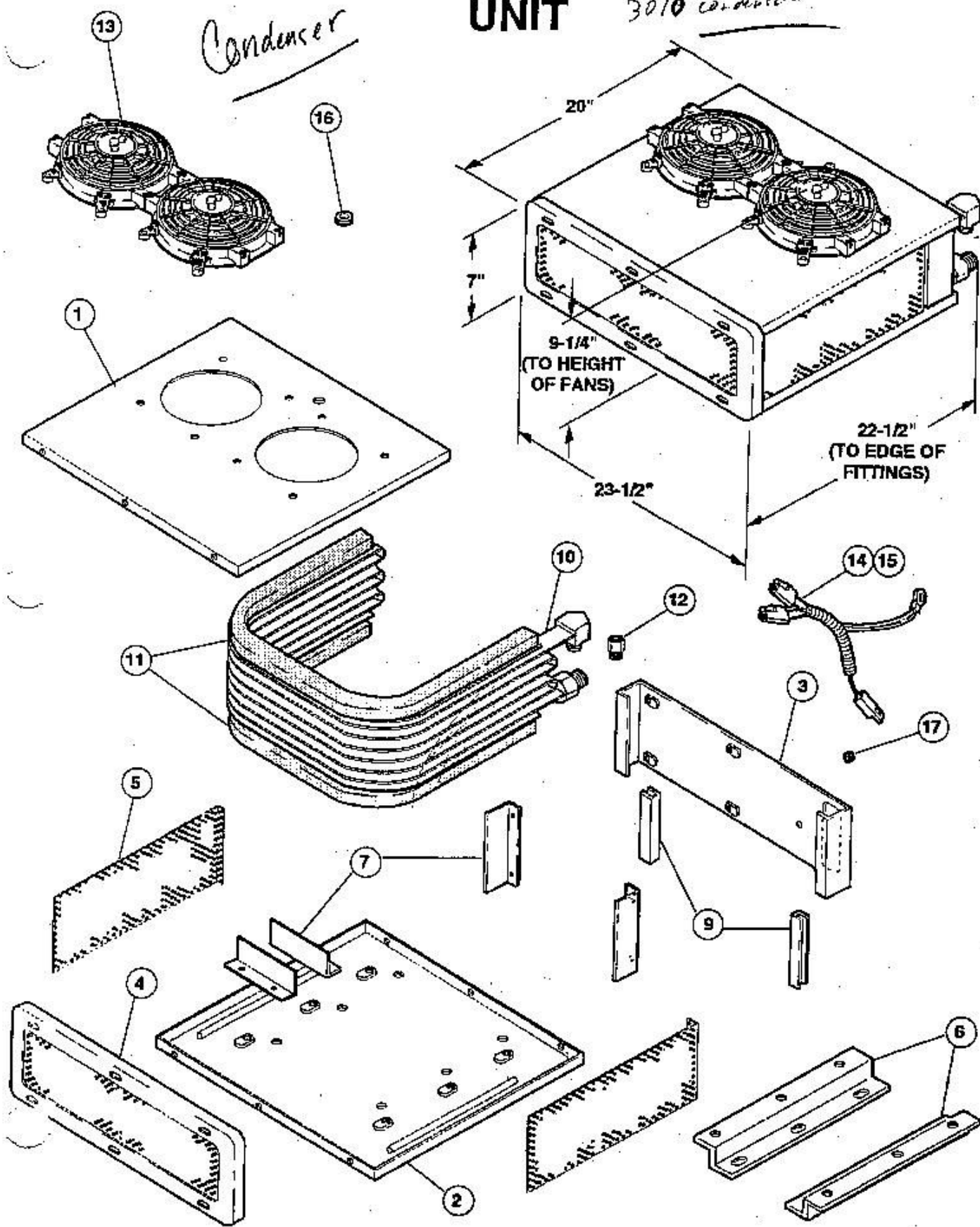
* ITEMS NOT SHOWN

29-75207 & 29-75207-24

UNIT

3010 CONDENSER

Condenser



29 - 75207 & 29 - 75207 - 24 PARTS LIST

ITEM #	PART NUMBER	DESCRIPTION
1	100 - 2001	FAN PANEL
2	100 - 2002	BASE PANEL
3	100 - 2003	REAR PANEL
4	100 - 2004	FRONT PANEL (W/ SCREEN)
5	100 - 2005	SIDE SCREENS (2 REQ'D)
6	100 - 2006	MOUNTING BRACKET (2 REQ'D)
7	100 - 2007	L" BRACKET (4 REQ'D)
8	102 - 2000	FOAM TAPE (4 REQ'D) .75"x 5.5"
9	102 - 1040-5.5	TRIM (2 REQ'D) 5.5 "
10	109 - 2647	CONDENSER COIL
11	102 - 1034-90	CONDENSER FOAM SEAL
12	201 - 2606	FLARE TO O'RING ADAPTER
13	106 - 8012	PANCAKE CONDENSER MOTOR (2 REQ'D)
14	202 - 1001	WIRE HARNESS 12 VOLT
15	202 - 1002	WIRE HARNESS 24 VOLT
16	102 - 1038	GROMMET 5/8"
17	102 - 1015	GROMMET 3/8"

WATSONAIRE, INC.
 502 Jesse Street
 Grand Prairie, Texas 75051
 (972) 647-1056 Fax (972) 606-1076