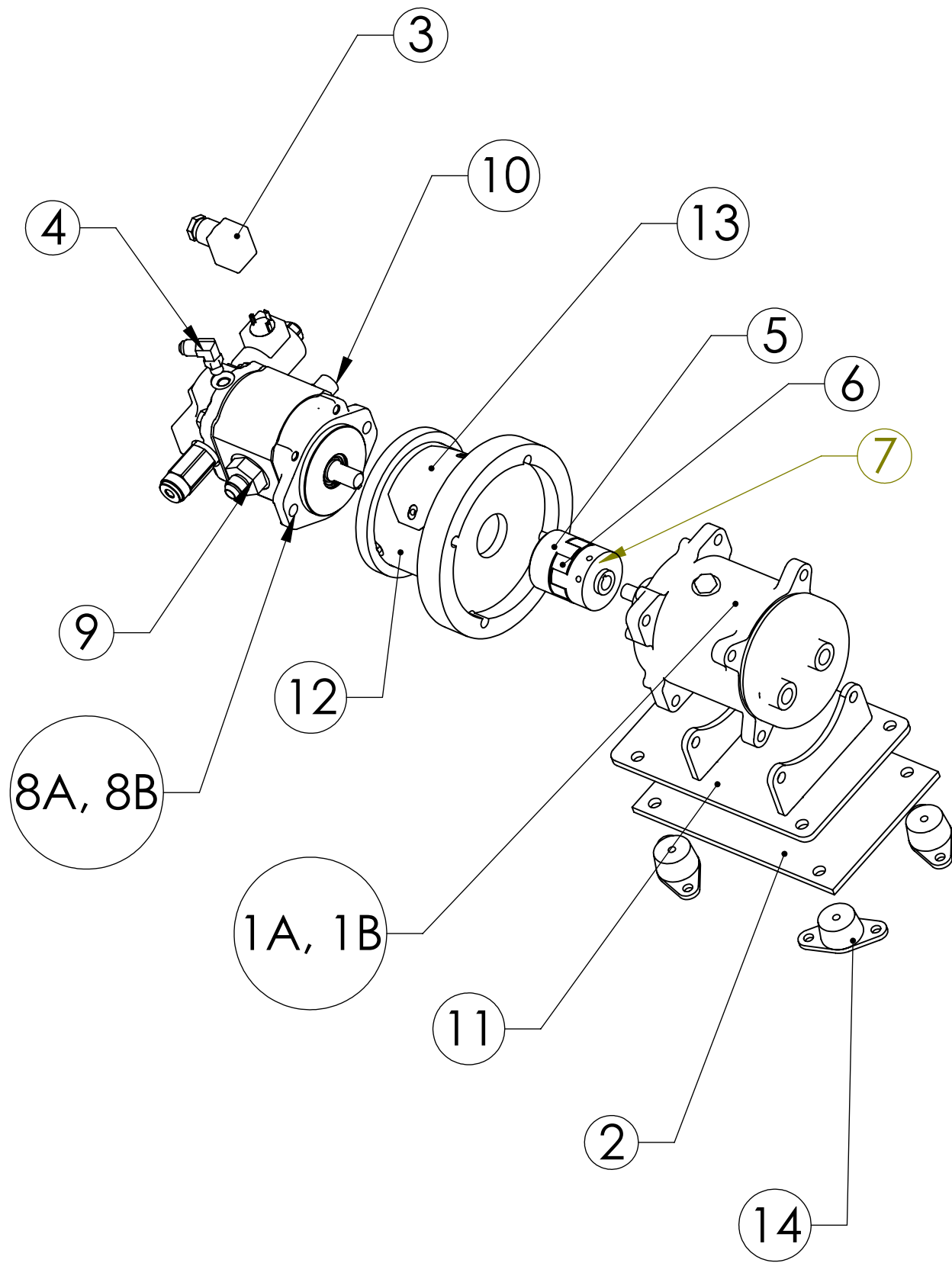


ITEM NO.	QTY.	PART NO.	DESCRIPTION
1A	1	11-10-4513	Rear Port
1B	1	11-10-4510	Top Port
2	1	31-1300-001	Isolator Pad
3	1	12-20-4900	Din Connector
4	1	16-20-6801-6-4	Case Drain Fitting
5	1	14-82-0100	Coupling Hyd Motor
6	1	14-82-0102	Coupling Insert
7	1	14-82-0101	Coupling Compressor
8A	1	14-80-0210	Hyd Motor 12V
8B	1	14-80-0220	Hyd Motor 24V
9	1	16-20-6400-08-12	Return Fitting
10	1	16-20-6400-08-10	Pressure Fitting
11	1	11-60-0021	DD Mount
12	1	14-81-0100	Bell Housing
13	1	14-81-0101	Bell Housing Cover
14	4	14-90-5010	Optional Vibro-Insulator



41-1310-1140 12V Top Port
41-1310-2140 24V Top Port
41-1310-1240 12V Rear Port
41-1310-2240 24V Rear Port