

8 7 6 5 4 3 2 1

F

E

D

C

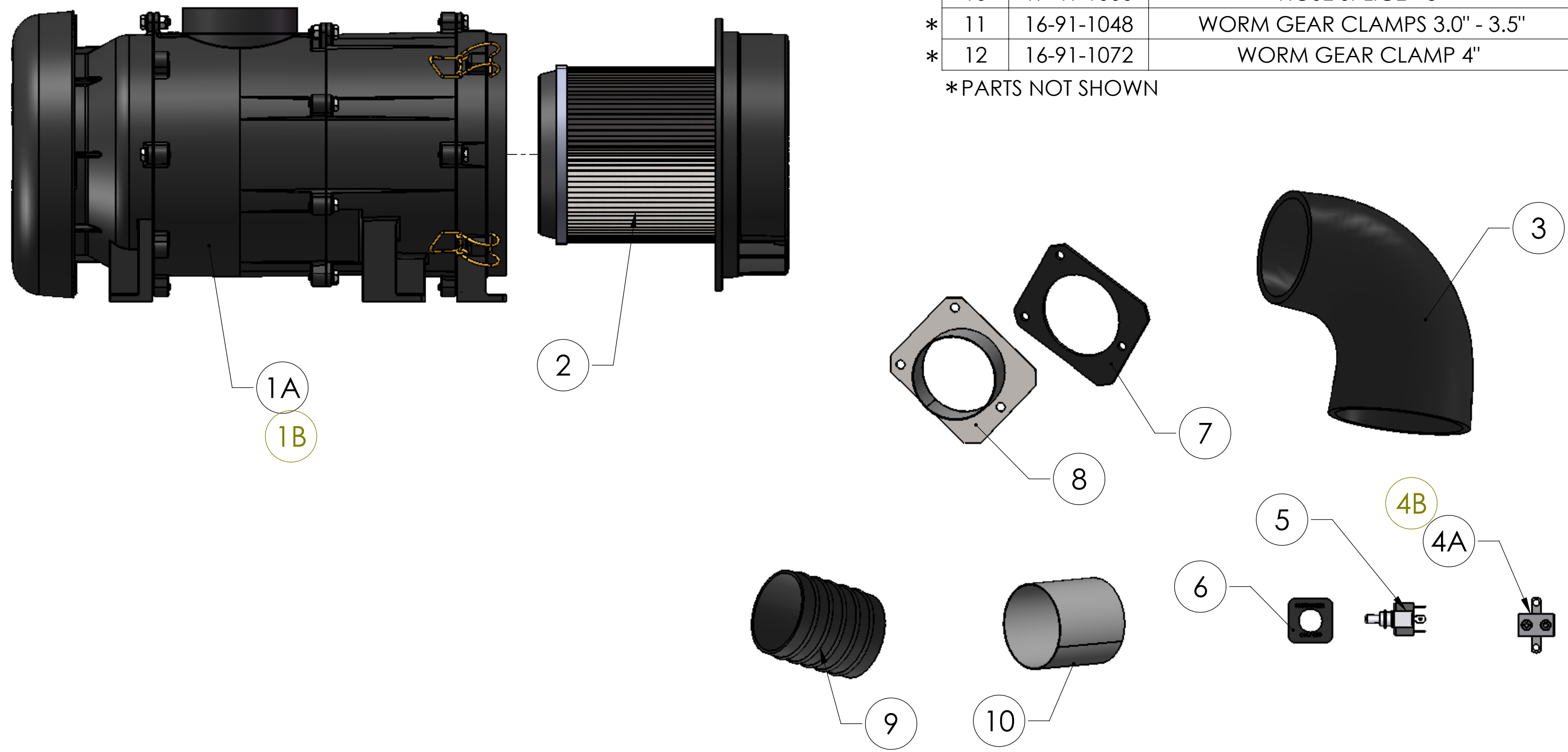
B

A

8 7 6 5 4 3 2 1

ITEM	PART #	DESCRIPTION	QTY	
<b>PRESSURIZER</b>				
1A	616-REV0011	SYKLONE RESPACF 12V PRESSURIZER	1	
1B	616-REV0012	SYKLONE RESPACF 24V PRESSURIZER	1	
2	616-FEFF008	RESPA CF REPLACEMENT FILTER	1	
<b>INSTALLATION KIT</b>				
3	17-41-2340	4" x 3" 90DEG ELBOW,RUBBER	1	
4A	12-52-1010	CIRCUIT BREAKER -10 AMPS	1	
4B	12-52-1015	CIRCUIT BREAKER -15 AMPS	1	
5	12-50-1001	ON/OFF TOGGLE SWITCH	1	
6	37-0000-103	PRESSURIZER ON/OFF LABEL	1	
7	31-1104-001	GASKET FRESH AIR	1	
8	16-40-1100	3" PRESSURIZER RING,BLACK	1	
9	17-40-3050	HEAVY DUTY FLEX HOSE 3" PER INCH	48"	
10	17-41-1000	HOSE SPLICE - 3"	1	
*	11	16-91-1048	WORM GEAR CLAMPS 3.0" - 3.5"	3
*	12	16-91-1072	WORM GEAR CLAMP 4"	1

\*PARTS NOT SHOWN



**MODEL 46-6271-1120:** RESPA CF 12 VOLT PRESSURIZER WITH INSTALLATION KIT  
**MODEL 46-6271-2120:** RESPA CF 24 VOLT PRESSURIZER WITH INSTALLATION KIT

**VISIONAIRE, INC.**  
 MANUFACTURER AND DISTRIBUTOR OF HEATERS AND AIR CONDITIONERS FOR HEAVY EQUIPMENT

1502 109TH STREET  
 GRAND PRAIRE, TEXAS 75050  
 972-647-1056      www.visionaire-inc.com

DRAWN	NAME	DATE	DOCUMENT NO.:
ENG APPR.	MS	12/24/14	<b>90-6271-001</b>
	CNH	12/24/14	