

ITEM #	PART #	DESCRIPTION	QTY.
1	30-7170-001	EVAPORATOR HOUSING	1
2	34-7170-100	BEZEL ASSEMBLY(SEE SHEET 2)	1
3	34-7170-001	DRAIN PAN AND EVAP COIL ASSY (SEE SHEET 3)	1
4	41-1341-XXXX	HYDRAULIC DD (SEE SHEET 4)	1
5A	14-20-0020	BLOWER ASSY 12V	1
5B	14-20-0021	BLOWER ASSY 24V	1
6	30-7170-006	FRONT COVER	1
7	15-10-2001	FILTER - RETURN AIR	1
8	30-7170-012	FILTER COVER	1
9	10-10-7070	CONDENSER COIL	1
10A	14-10-1610	CONDENSER FAN 12V	1
10B	14-10-1611	CONDENSER FAN 24V	1
11A	16-40-1104	FRESH AIR INLET	1
11B	16-40-1101	PRESSURIZER RING 3"	1
12	30-7170-010	BOTTOM COVER ASSEMBLY	1
13	12-31-0001	WATER VALVE	1
14	13-10-3000	DRIER	1
15	12-10-3000	BINARY SWITCH	1
16	30-7170-008	COIL RETAINING BRACKET	4
17	35-7170-001	LIQUID TUBE DRIER- TXV	1
18	35-7170-002	LIQUID TUBE CONDENSER- DRIER	1
* 19	35-7170-003	SUCTION TUBE	1
* 20	33-7170-001	WIRE HARNESS - MAIN	1
* 21	12-39-1065	60" TURNBUCKLE PUSH PULL CABLE	1

* PARTS NOT SHOWN

ALL 7170 DD MODELS

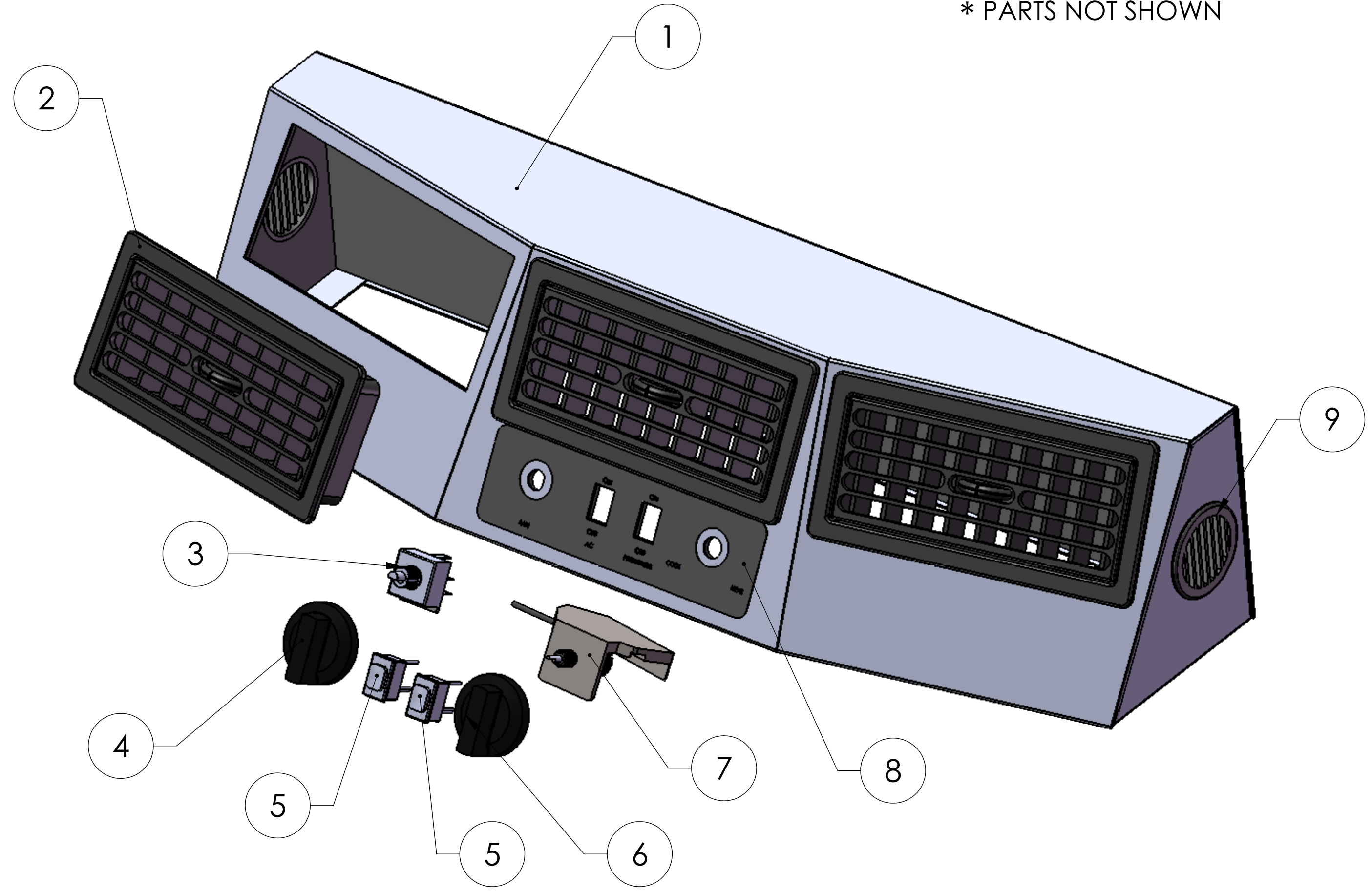
VISIONAIRE, INC.
 MANUFACTURER AND DISTRIBUTOR OF HEATERS AND
 AIR CONDITIONERS FOR HEAVY EQUIPMENT

1502 109TH STREET
 GRAND PRAIRE, TEXAS 75050
 972-647-1056 www.visionaire-inc.com

DRAWN	NAME	DATE	DOCUMENT NO:
ENG APPR.	MS	9/24/14	90-7170-001(SHEET 1)
	CNH	11/24/14	

ITEM #	PART #	DESCRIPTION	QTY.
1	30-7170-011	BEZEL	1
2	12-40-2021	LOUVER-SNAP 7.74" X 3.26"	3
3	12-50-2001	BLOWER SWITCH - 3 SPEED	1
4	12-51-1002	KNOB - FAN SPEED	1
5	12-50-3001	ROCKER SWITCH	2
6	12-51-2007	KNOB TEMPERATURE	1
7	12-31-1069	MODIFIED DETENT ACTUATOR - 7170	1
8	37-0000-110	LABEL - 7170 SWITCHES	1
9	12-40-1320	DIFFUSER ROUND 2" HOLE	2
* 10	33-7170-002	WIRE HARNESS - BEZEL	1

* PARTS NOT SHOWN



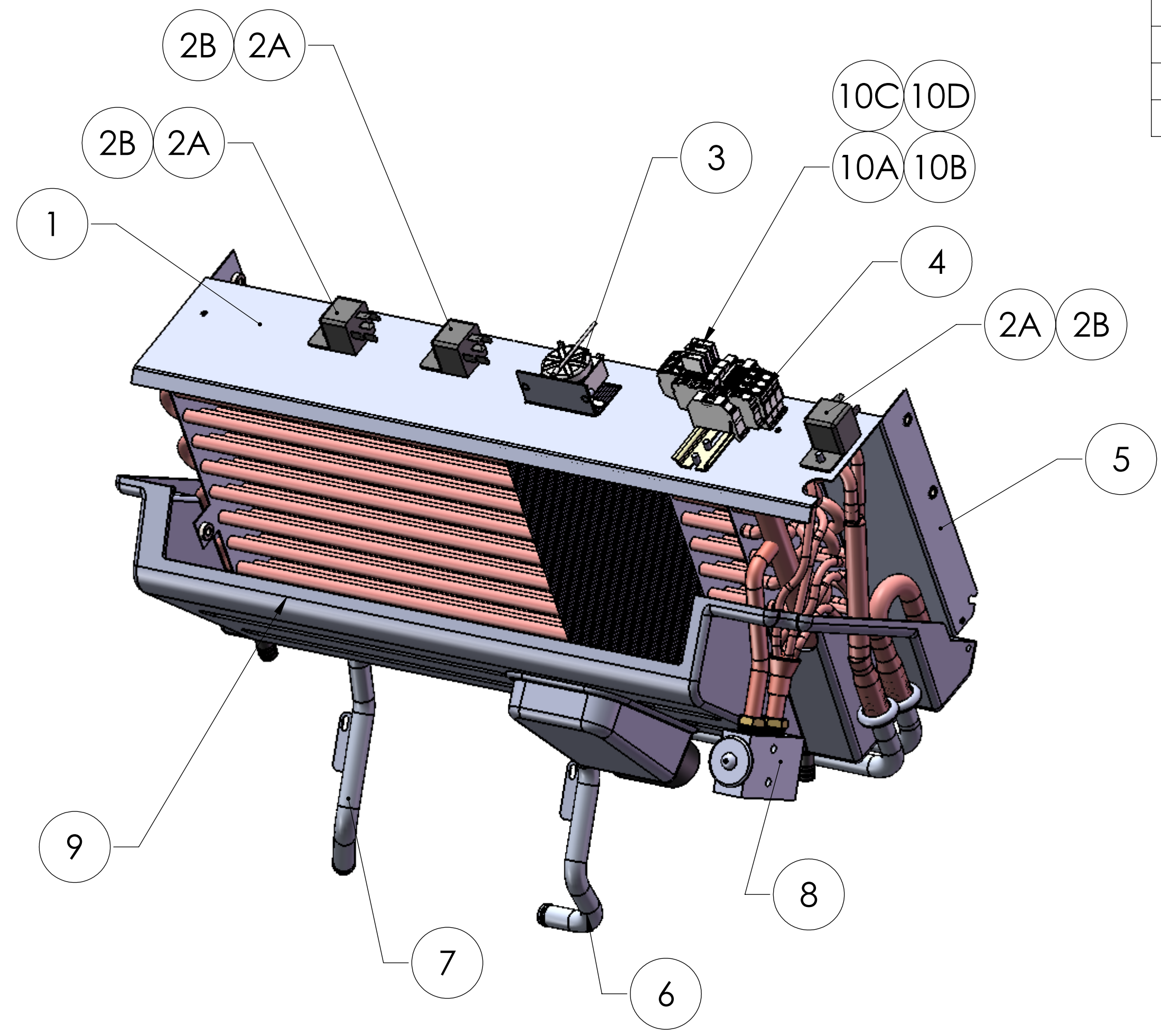
34-7170-100: BEZEL ASSEMBLY 7170DD A/C AND HEAT

VISIONAIRE, INC.
 MANUFACTURER AND DISTRIBUTOR OF HEATERS AND AIR CONDITIONERS FOR HEAVY EQUIPMENT

1502 109th STREET
 GRAND PRAIRE, TEXAS 75050
 972-647-1056 www.visionaire-inc.com

DRAWN	NAME	DATE	DOCUMENT NO:
ENG APPR.	MS	9/24/14	90-7170-001 (SHEET 2)
	CNH	11/24/14	

ITEM #	PART #	DESCRIPTION	QTY.
1	30-7170-007	COIL BLOCK OFF	1
2A	12-53-2001	RELAY 12V	3
2B	12-53-4001	RELAY 24V	3
3	12-54-1001	THERMOSTAT	1
4	34-7170-002	POWER DISTRIBUTION	1
5	10-40-7170	EVAPORATOR/HEAT COIL	1
6	35-7170-005	HEATER OUTLET TUBE	1
7	35-7170-006	HEATER INLET TUBE	1
8	12-11-1001	BLOCK TXV 2 TON	1
9	32-7170-001	PLASTIC DRAIN PAN	1
10A	12-52-3005	CIRCUIT BREAKER - 5 AMPS (24V UNIT)	1
10B	12-52-3010	CIRCUIT BREAKER - 10 AMPS (12V UNIT)	1
10C	12-52-3015	CIRCUIT BRAEKER - 15 AMPS(24V UNIT)	2
10D	12-52-3020	CIRCUIT BREAKER - 20 AMPS(12V UNIT)	2

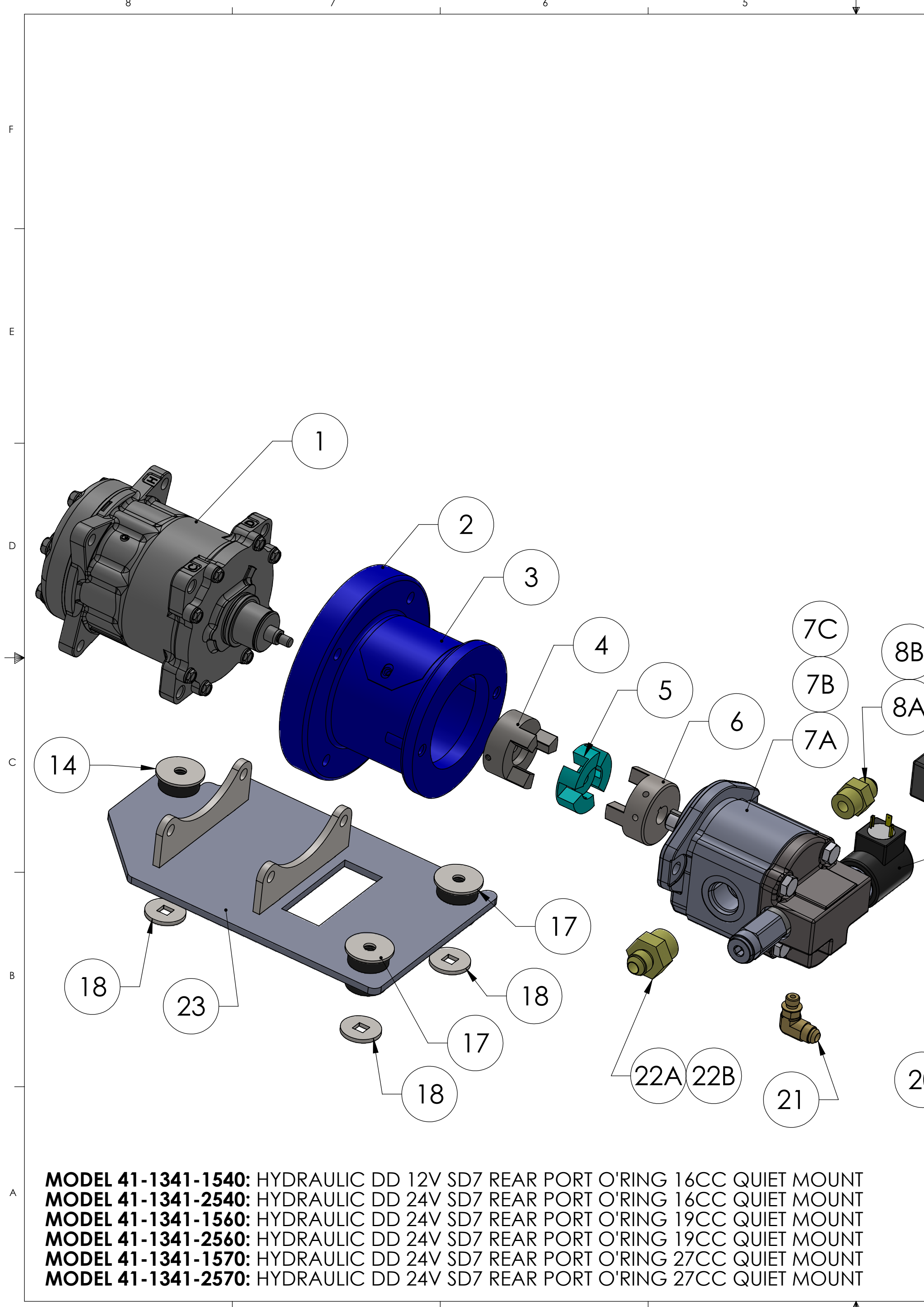


34-7170-001: DRAIN PAN AND EVAPORATOR COIL ASSEMBLY 7170DD A/C AND HEAT

VISIONAIRE, INC.
 MANUFACTURER AND DISTRIBUTOR OF HEATERS AND
 AIR CONDITIONERS FOR HEAVY EQUIPMENT

1502 109th STREET
 GRAND PRAIRE, TEXAS 75050
 972-647-1056 www.visionaire-inc.com

DRAWN	NAME	DATE	DOCUMENT NO:
ENG APPR.	RP	8/5/15	90-7170-001 (SHEET 3)
	CNH	8/5/15	



ITEM NO	PART NUMBER	DESCRIPTION	QTY
1	11-10-0070	COMPRESSOR SD7	1
2	14-81-0100	BELL HOUSING	1
3	14-81-0101	BELL HOUSING COVER	1
4	14-82-0110	MAG COUPLING COMPRESSOR	1
5	14-82-0102	DD COUPLING INSERT	1
6	14-82-0100	MAG COUPLING HYD MOTOR	1
7A	14-80-0209	HYD MOTOR 16CC W/ NO VALVE	1
7B	14-80-0207	HYD MOTOR 19CC W/ NO VALVE	1
7C	14-80-0208	HYD MOTOR 27CC W/ NO VALVE	1
8A	16-20-6400-8-10	HYD FITTING #8-10 ST - 16CC	1
8B	16-20-6400-8-12	HYD FITTING #8-12 ST - 19CC & 27CC	1
9	12-20-4900	HYD DIN CONNECTOR	1
10A	12-20-4060	HYD COIL 12V	1
10B	12-20-4061	HYD COIL 24V	1
11	16-20-2700-10	#10 HYD FITTING - BULKHEAD	1
12	16-20-0306-10	#10 BULKHEAD NUT	1
13	16-20-2700-8-8	#8 HYD FITTING - BULKHEAD	1
14	16-20-0306-8	#8 BULKHEAD NUT	1
15	16-20-2700-6-6	#6 HYD FITTING - BULKHEAD	1
16	16-20-0306-6	#6 BULKDEAD NUT	1
17	14-90-5011	VIBRATION ISOLATORS	4
18	11-60-0022-E	CARRIAGE BOLT SPACER	4
19	11-60-0022-D	ISOLATOR SPACER	1
20	11-60-0028-1	1341- MOUNT BULKHEAD BRACKET	1
21	16-20-6801-6-4	HYD FITTING #6-4 90 DEG	1
22A	16-20-6400-8-12	HYD FITTING #8-12 ST - 16CC	1
22B	16-20-6400-8-16	HYD FITTING #8-16 ST - 19CC & 27CC	1
23	11-60-0028	1341 - MOUNT	1

MODEL 41-1341-1540: HYDRAULIC DD 12V SD7 REAR PORT O'RING 16CC QUIET MOUNT
MODEL 41-1341-2540: HYDRAULIC DD 24V SD7 REAR PORT O'RING 16CC QUIET MOUNT
MODEL 41-1341-1560: HYDRAULIC DD 24V SD7 REAR PORT O'RING 19CC QUIET MOUNT
MODEL 41-1341-2560: HYDRAULIC DD 24V SD7 REAR PORT O'RING 19CC QUIET MOUNT
MODEL 41-1341-1570: HYDRAULIC DD 24V SD7 REAR PORT O'RING 27CC QUIET MOUNT
MODEL 41-1341-2570: HYDRAULIC DD 24V SD7 REAR PORT O'RING 27CC QUIET MOUNT

VISIONAIRE, INC.
 MANUFACTURER AND DISTRIBUTOR OF HEATERS AND AIR CONDITIONERS FOR HEAVY EQUIPMENT

1502 109th STREET
 GRAND PRAIRE, TEXAS 75050
 972-647-1056 www.visionaire-inc.com

DRAWN	NAME	DATE	DOCUMENT NO:
ENG APPR.	RP	8/5/15	90-7170-001 (SHEET 4)
	CNH	8/5/15	