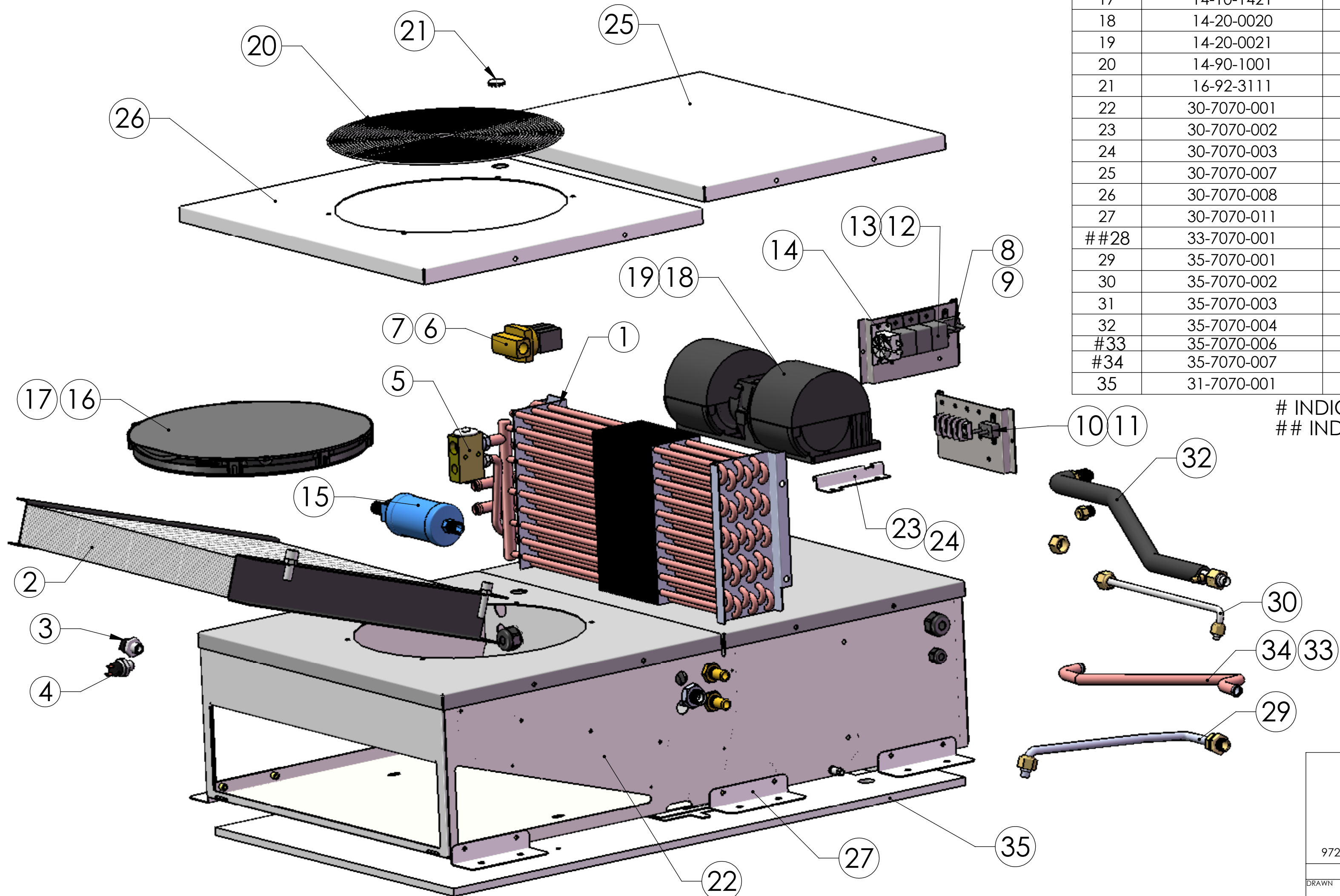


**MODEL** 47-7070-1XX0: 7070 A/C HEAT ROOF MOUNT 12V  
 47-7070-1XX1: 7070 A/C ONLY ROOF MOUNT 12V  
 47-7700-2XX0: 7070 A/C HEAT ROOF MOUNT 24V  
 47-7070-2XX1: 7070 A/C ONLY ROOF MOUNT 24V



ITEM	VISIONAIRE PART#	DESCRIPTION	QTY.
1	10-40-7070	EVAPORATOR/HEAT COIL-7070	1
2	10-10-7070	CONDENSER COIL-7070	1
3	12-10-1001	HIGH PRESSURE SWITCH	1
4	12-10-2001	LOW PRESSURE SWITCH	1
5	12-11-1202	BLOCK EXPANSION VALVE	1
#6	12-32-1003	ELEC WATER VALVE/W SUPP 12V	1
#7	12-32-1004	ELEC WATER VALVE/W SUPP 24V	1
8	12-52-1010	CIRCUIT BREAKER 10AMP 24V	1
9	12-52-1015	CIRCUIT BREAKER 15AMP 12V	1
10	12-52-1030	CIRCUIT BREAKER 30AMP 24V	1
11	12-52-1050	CIRCUIT BREAKER 50AMP 12V	1
12	12-53-2001	RELAY 12V	3
13	12-53-4001	RELAY24V	3
14	12-54-1001	THERMOSTAT-FIXED 24IN	1
15	13-10-3000	DRIER 7070	1
16	14-10-1420	COND FAN-14.4",12V,7070,PUSH	1
17	14-10-1421	COND FAN-14.4",24V,7070,PUSH	1
18	14-20-0020	BLOWER ASSEMBLY 12V 7070	1
19	14-20-0021	BLOWER ASSEMBLY 24V 7070	1
20	14-90-1001	FAN GUARD-14.4" - 7070	1
21	16-92-3111	PLUG BUTTON CHROME 1"	1
22	30-7070-001	7070 WELDMENT MAIN	1
23	30-7070-002	7070 BLOWER BRACKET RT	1
24	30-7070-003	7070 BLOWER BRACKET LT	1
25	30-7070-007	7070 EVAP COVER	1
26	30-7070-008	7070 COND COVER	1
27	30-7070-011	7070 MOUNTING BRACKET	7
# #28	33-7070-001	WIRE HARNESS 7070	1
29	35-7070-001	DISCHARGE LINE W/ 1 PORT	1
30	35-7070-002	LIQUID LINE-COND/DRIER	1
31	35-7070-003	LIQUID LINE-DRIER/EXP	1
32	35-7070-004	SUCTION LINE	1
#33	35-7070-006	7070 HEATER TUBE 1	1
#34	35-7070-007	7070 HEATER TUBE 2	1
35	31-7070-001	7070 EVA GASKET	1

# INDICATES NOT USED ON A/C ONLY  
 # # INDICATES NOT SHOWN

**VISIONAIRE, INC.**  
 MANUFACTURER AND DISTRIBUTOR OF HEATERS AND AIR CONDITIONERS FOR HEAVY EQUIPMENT  
 1502 109TH STREET  
 GRAND PRAIRE, TEXAS 75050  
 972-647-1056 www.visionaire-inc.com

DRAWN	NAME	DATE	DOCUMENT NO:
ENG APPR.	CNH	5/30/13	90-7070-001