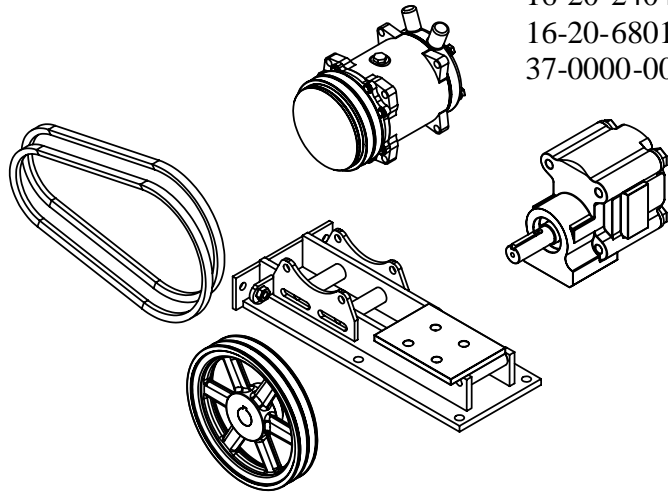


41-1200-210 24V HYDRAULIC MOTOR COMP. ASSY.

COMPONENT REV TYP QTY/BILL U/M DESCRIPTION
 FIND# STEP

11-10-4506	000	1.00 EACH	COMP.- SANDEN 24V 134a
11-60-0010	000	1.00 EACH	MOUNT (COMP. & HYD MOTOR)
11-70-1037	000	2.00 EACH	COMPRESSOR BELT
14-80-0010	000	1.00 EACH	MOTOR, HYDRAULIC - CI - 10 GPM
14-82-0010	000	1.00 EACH	SHEAVE, 8inX1in 2 GR
16-20-2404-6-4	000	1.00 EACH	HYDRAULIC FITTING--ST- MT- MP
16-20-6801-8-8	000	2.00 EACH	HYDR. FITT.-90 DEGREE-MT-AO
37-0000-001	000	1.00 EACH	SERIAL I.D. PLATE



PROPRIETARY AND CONFIDENTIAL
 THE INFORMATION CONTAINED IN THIS DRAWING IS THE SOLE PROPERTY OF <INSERT COMPANY NAME HERE>. ANY REPRODUCTION IN PART OR AS A WHOLE WITHOUT THE WRITTEN PERMISSION OF <INSERT COMPANY NAME HERE> IS PROHIBITED.

		UNLESS OTHERWISE SPECIFIED:		NAME	DATE	VISIONAIRE, INC.	
		DIMENSIONS ARE IN INCHES TOLERANCES: FRACTIONAL ± ANGULAR: MACH ± BEND ± TWO PLACE DECIMAL ± THREE PLACE DECIMAL ±	DRAWN			TITLE:	
		INTERPRET GEOMETRIC TOLERANCING PER:	CHECKED			24V HYD COMPRESSOR ASSBY	
		MATERIAL	ENG APPR.			SIZE DWG. NO. REV	
NEXT ASSY	USED ON	FINISH	MFG APPR.			A 41-1200-210	
APPLICATION		DO NOT SCALE DRAWING	Q.A.			SCALE: 1:10	WEIGHT: SHEET 1 OF 1
			COMMENTS:				