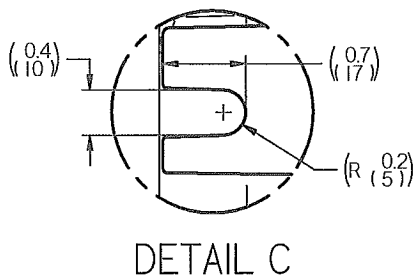
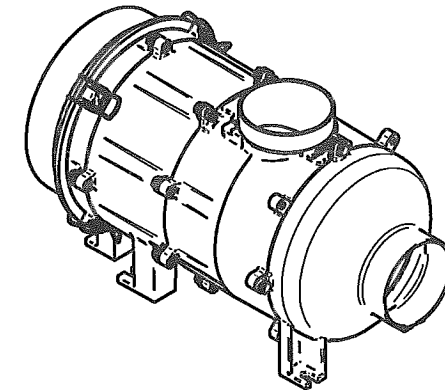
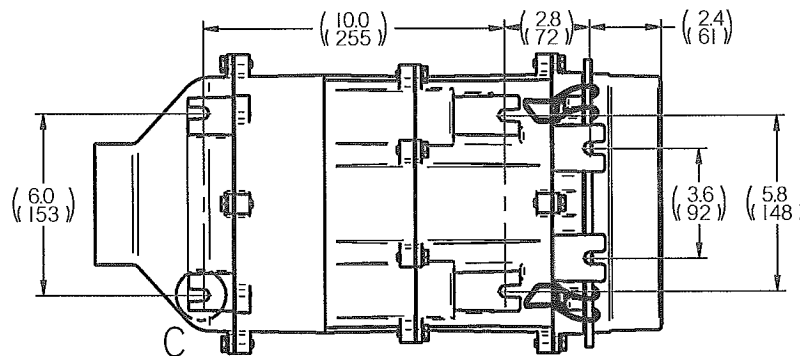
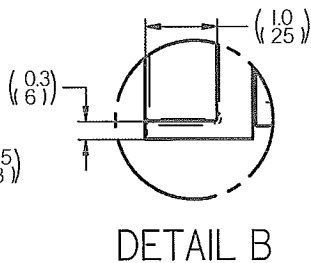
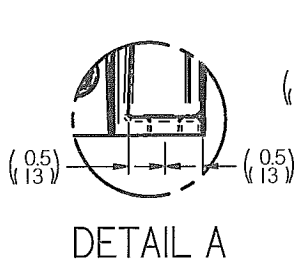
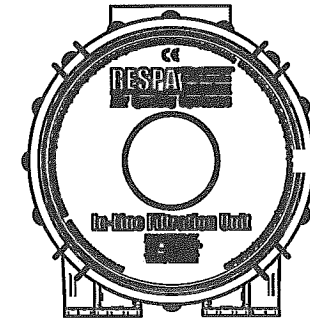
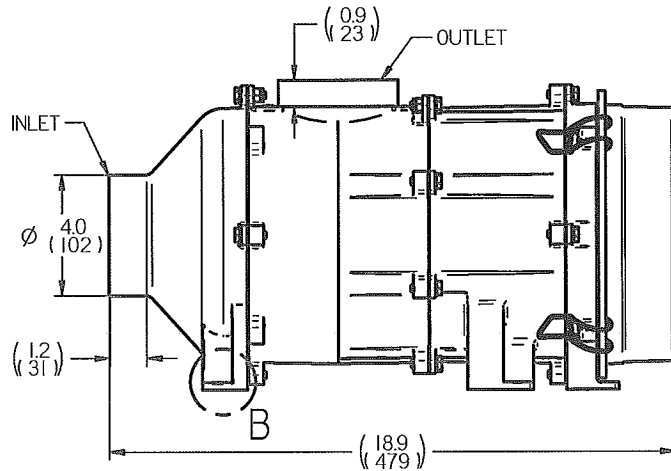
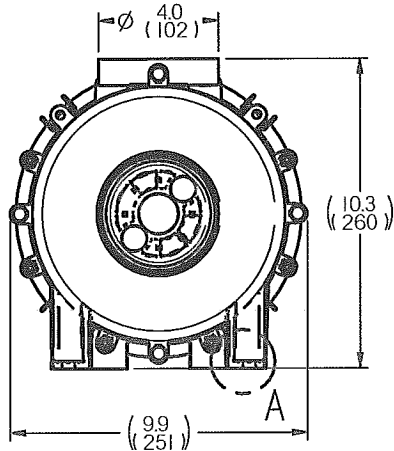


CUSTOMER SY-KLONE INTERNATIONAL
 CUSTOMER PART NO. R70001100011
 NOTES

| DRW REV | DESCRIPTION OF CHANGE | REV BY | DATE | CHECKED BY | DATE |
|---------|-----------------------|--------|----------|------------|----------|
| 00 | INITIAL RELEASE | JSB | 12/16/11 | ELE | 12/16/11 |

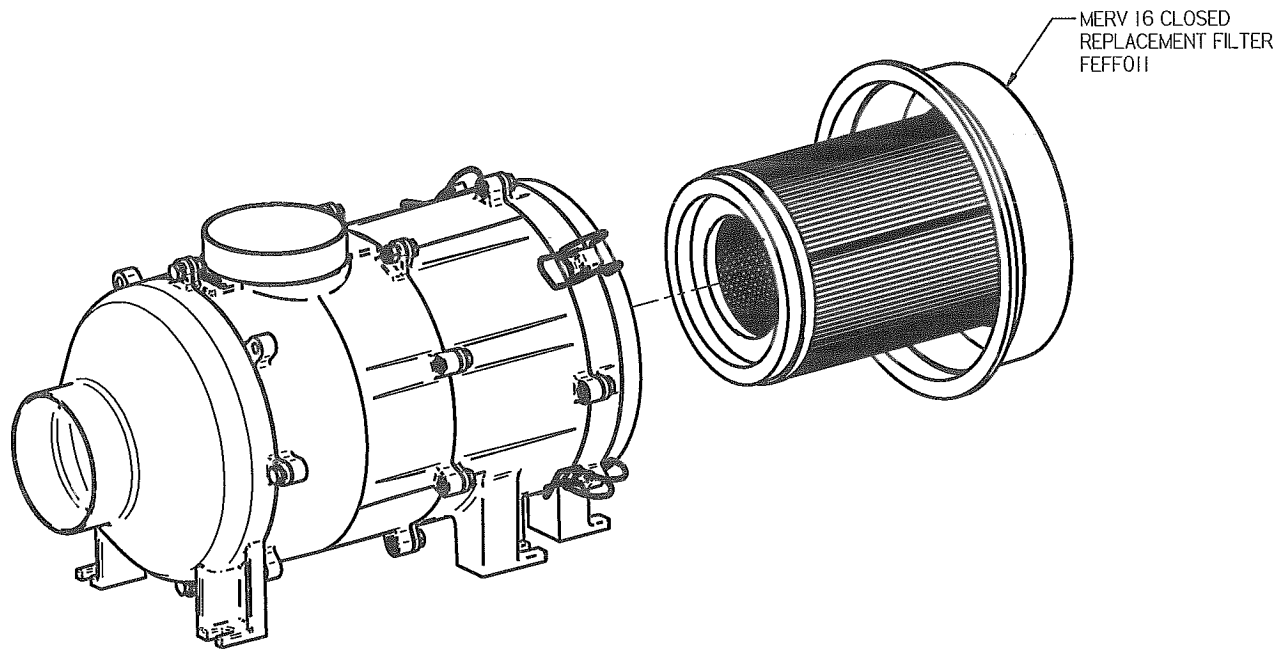


- NOTES
 1. WEIGHT: 5.7 LBS (2.6 KG)
 2. MATERIAL: ENGINEERING POLYMER
 3. FILTER REQUIRES APPROXIMATELY 6.25 INCHES (159 MM) OF CLEARANCE FOR REMOVAL.

| | | | | |
|---|--|---|-----------------|------------------------------|
| UNLESS OTHERWISE SPECIFIED DIMENSIONS ARE IN INCHES | | SY-KLONE INTERNATIONAL 6899 POWERS AVE., SUITE 17 JACKSONVILLE, FL 32217 PHONE 904-419-6563 WWW.SY-KLONE.COM | DRIFT BY: JSB | DATE: 12/16/11 |
| DRAFT CONFORMS WITH: SYKRENGSPEC001 | | | CHECKED BY: JSB | DATE: 12/15/11 |
| SYKRENGSPEC002 THIS AND TO: | | PART BY: JSB | | DATE: 12/16/11 |
| DO NOT SCALE THIS DRAWING | | PART NO: R70001100011 | | DESCRIPTION: RESPIATEX |
| KEY PRODUCT CHARACTERISTICS: ▲ SAFETY COMPLIANCE ◆ FIVE-UNCTION TOTAL ON DRAWING: 0 | | DRAWING NO: R70001100011_00_SYK_00.dft | | GEOMETRY NO: R70001100011_00 |
| DRAWING TYPE: SALES | | EST WEIGHT: N/A | | GEOMETRY REV: 00 |
| PATENT NUMBERS: UNITED STATES: 5240593, 5656050, 5769315, 6878169 B2, 6319304 B1, 6338745 B1, 6405506 B1, 6425943 B1, 7056388 JAPAN: 2003-505 204A EUROPEAN UNION: EP 1 204 450 B1 UNITED KINGDOM: 1 204 450 | | FINISH: N/A | | SHEET 1 OF 2 |
| REF DRAWING: 121IRE89 | | MATERIAL: | | SIZE: B |

CUSTOMER SY-KLONE INTERNATIONAL
 CUSTOMER PART NO R70001100011
 NOTES:

| DRW REV | DESCRIPTION OF CHANGE | REV BY | DATE | CHECKED BY | DATE |
|---------|-----------------------|--------|----------|------------|----------|
| 00 | INITIAL RELEASE | JSB | 12/16/11 | ELE | 12/16/11 |



FILTER REQUIRES APPROXIMATELY
 6.25 INCHES (159 MM) OF CLEARANCE
 FOR REMOVAL.

| | | | | |
|--|--|---|----------------|---------------|
| UNLESS OTHERWISE SPECIFIED DIMENSIONS ARE IN INCHES | | SY-KLONE INTERNATIONAL 6993 POWERS AVE. SUITE 17 JACKSONVILLE, FL 32217 PHONE 904-442-6563 WWW.SY-KLONE.COM | DRAFT BY JSB | DATE 12/16/11 |
| DRAFT CONFORMS WITH SYKENSPEC001 | | | CHECKED BY ELC | DATE 12/15/11 |
| SYKENSPEC002 RUS AND IOL | | | PART BY JSB | DATE 12/16/11 |
| PART NO. R70001100011 | | DESCRIPTION RESPA FFY | | |
| DRAWING NO R70001100011_00_SYK_OC.dft | | GEOMETRY NO R70001100011_00 | | |
| DRAWING TYPE SALES | | GEOMETRY REV 00 SHEET 2 OF 2 SIZE B | | |
| REF DRAWING 121HRE89 | | PATENT NUMBERS: UNITED STATES: 5240593, 5659050, 5766315, 6878169 B2, 6319304 B1, 6338745 B1, 6405505 B1, 6425843 B1, 7056368 JAPAN: 2003-506 204A SWEDEN: 1 204 450 EUROPEAN UNION: EP 1 204 450 B1 GERMANY: 600 19 6100 ITALY: 1 204 450 UNITED KINGDOM: 1 204 450 | | |