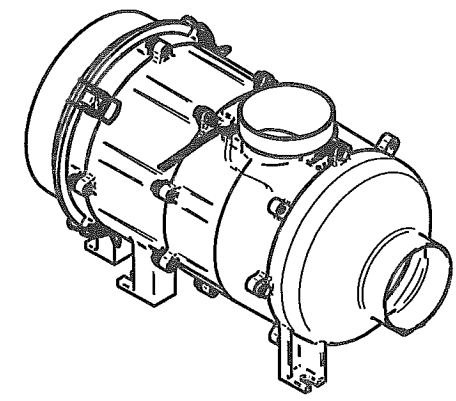
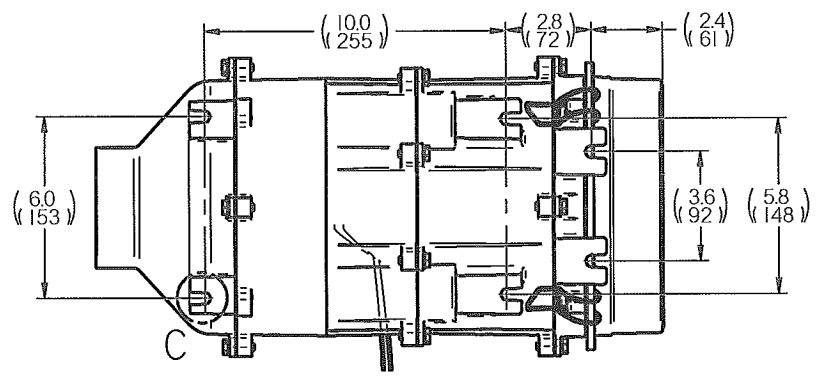
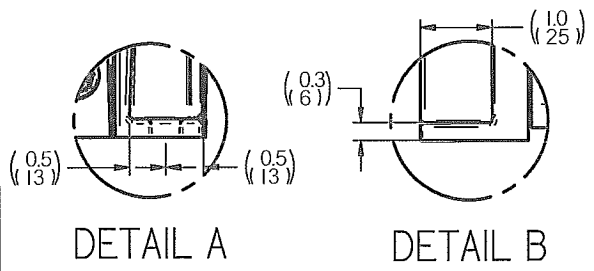
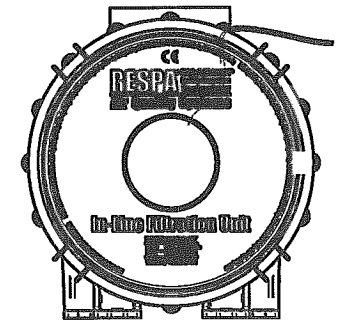
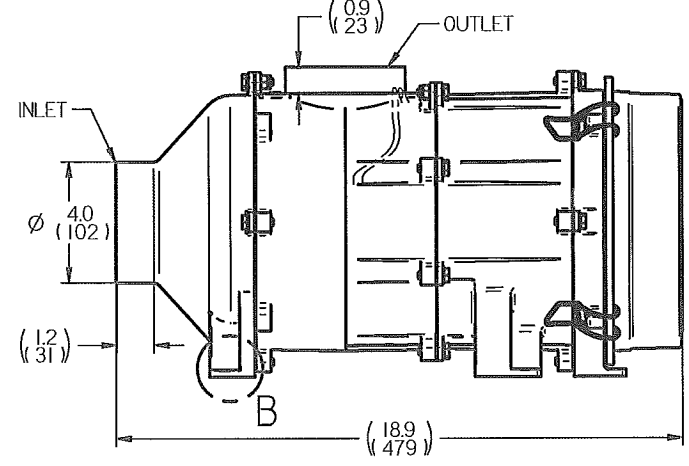
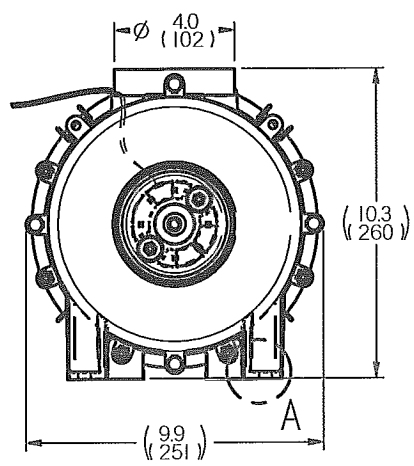
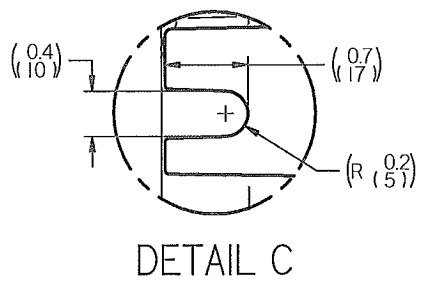


CUSTOMER SY-KLONE INTERNATIONAL
 CUSTOMER PART NO. R602011100011
 NOTES:

DRW REV	DESCRIPTION OF CHANGE	REV BY	DATE	CHECKED BY	DATE
00	INITIAL RELEASE	JSB	12/16/11	ELE	12/16/11



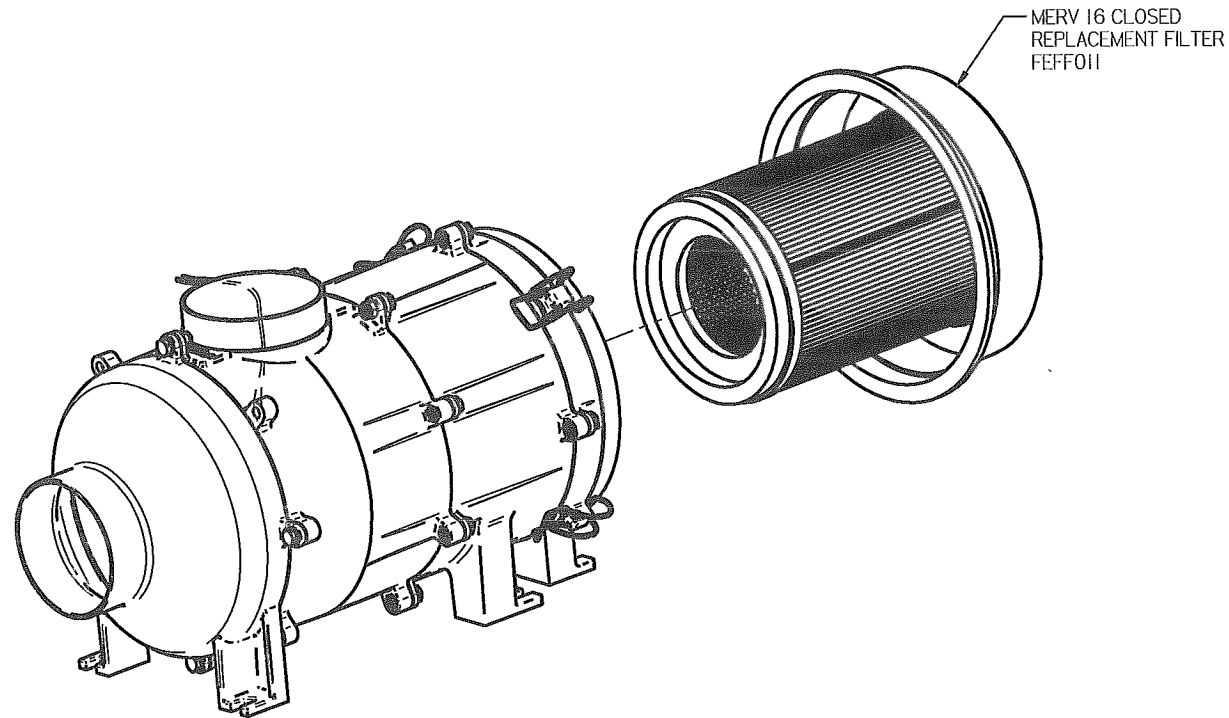
- NOTES:
 1. OPERATING VOLTAGE: 24 VDC
 2. OPERATING CURRENT: 6 AMPS @ 24V
 3. WIRING - 16 AWG, 16 IN. (406 MM) IL LEADS,
 4. CONNECTOR: NONE
 5. WEIGHT: 8.9 LBS (4.0 KG)
 6. MATERIAL: ENGINEERING POLYMER
 7. FILTER REQUIRES APPROXIMATELY
 6.25 INCHES (159 MM) OF CLEARANCE FOR REMOVAL.



UNLESS OTHERWISE SPECIFIED DIMENSIONS ARE IN INCHES DRAFT CONFORMS WITH SY-KLONE SPEC 001	SY-KLONE INTERNATIONAL 6555 POWERS AVE., SUITE 17 JACKSONVILLE, FL 32214 PHONE: 904-418-6563 WWW.SY-KLONE.COM	DRAFT BY: JSB CHECKED BY: ELE PART BY: JSB	DATE: 12/16/11 DATE: 12/15/11 DATE: 12/16/11
		THE INFORMATION HEREON IS THE PROPERTY OF SY-KLONE INTERNATIONAL AND/OR ITS SUBSIDIARIES. ANY COPYING, TRANSMITTAL AND/OR AIN USE, EXCEPT THAT FOR WHICH IT IS ISSUED, WITHOUT WRITTEN PERMISSION IS PROHIBITED. ALL RIGHTS RESERVED UNDER THE COPYRIGHT LAWS.	
DO NOT SCALE THIS DRAWING KEY PRODUCT CHARACTERISTICS: ▲ SAFETY COMPLIANCE ◆ FIT/FUNCTION TOTAL ON DRAWING: 0	ALL MACHINED SURFACES: 12.5 EST WEIGHT: N/A FINISH: N/A PATENT NUMBERS: UNITED STATES: 5240593, 5659050, 5766315, 6878189 B2, 6319304 B1, 6338745 B1, 6405505 B1, 6425943 B1, 7056368 JAPAN: 2003-506 204A EUROPEAN UNION: EP 1 204 450 B1 UNITED KINGDOM: 1 204 450	PART NO. R602011100011 DESCRIPTION RESPIAT CFX DRAWING NO. R602011100011_00_SYK_00.dft GEOMETRY NO. R602011100011_00 GEOMETRY REV 00 SHEET 1 OF 2 SIZE B	
DRAWING TYPE: SALES REF. DRAWING: 121IRE87			

CUSTOMER SY-KLONE INTERNATIONAL
 CUSTOMER PART NO R60201100011
 NOTES:

DRW REV	DESCRIPTION OF CHANGE	REV BY	DATE	CHECKED BY	DATE
00	INITIAL RELEASE	JSB	12/16/11	ELE	12/16/11



FILTER REQUIRES APPROXIMATELY
 6.25 INCHES (159 MM) OF CLEARANCE
 FOR REMOVAL.

UNLESS OTHERWISE SPECIFIED DIMENSIONS ARE IN INCHES		SY-KLONE INTERNATIONAL		DRAWN BY JSB	DATE 12/16/11
DRAFT CONFORMS WITH SYKENGSDC001		6993 POWERS AVE. SUITE 17 JACKSONVILLE, FL 32217 PHONE 904-418-6553 WWW.SY-KLONE.COM		CHECKED BY [Signature]	DATE 12/15/11
SYKENGSDC002 (BUS ADD 10)		THE INFORMATION HEREON IS THE PROPERTY OF SY-KLONE INTERNATIONAL AND/OR ITS SUBSIDIARIES. ANY COPYING, TRANSMITTAL, AND/OR ANY USE, EXCEPT THAT FOR ARCHIVE IS PROHIBITED, WITHOUT WRITTEN PERMISSION IS PROHIBITED. ALL RIGHTS RESERVED UNDER THE COPYRIGHT LAWS.		PART BY JSB	DATE 12/16/11
DO NOT SCALE THIS DRAWING		ALL MACHINED SURFACES: 12.5		PART NO. R60201100011	
KEY PRODUCT CHARACTERISTICS: ▲ SAFETY/COMPLIANCE ◆ FIT/FUNCTION TOTAL ON DRAWING: 0		EST WEIGHT: N/A		DESCRIPTION RESPA CFX	
DRAWING TYPE: SALES		FINISH: N/A		DRAWING NO. R60201100011_00_SYK_00.dwg	
PATENT NUMBERS: UNITED STATES: 5240593, 5655050, 5765315, 6878169 B2, 6319304 B1, 6338745 B1, 6405505 B1, 6425943 B1, 7056398		MATERIAL:		GEOMETRY NO. R60201100011_00	
JAPAN: 2003-506 204A EUROPEAN UNION: EP 1 204 450 B1 UNITED KINGDOM: 1 204 450		ITALY: 1 204 450		GEOMETRY REV 00	
REF DRAWING: 121RE87				SHEET 2 OF 2	