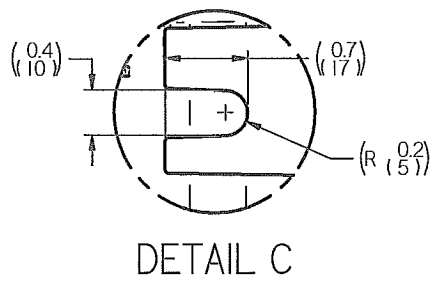
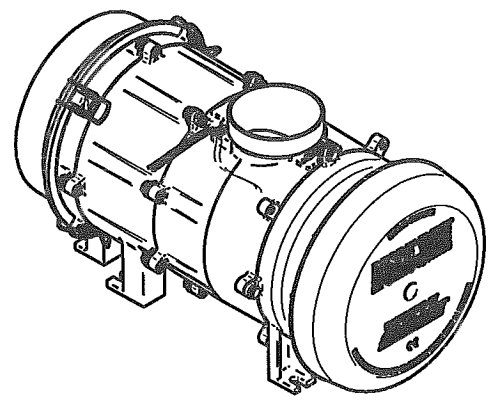
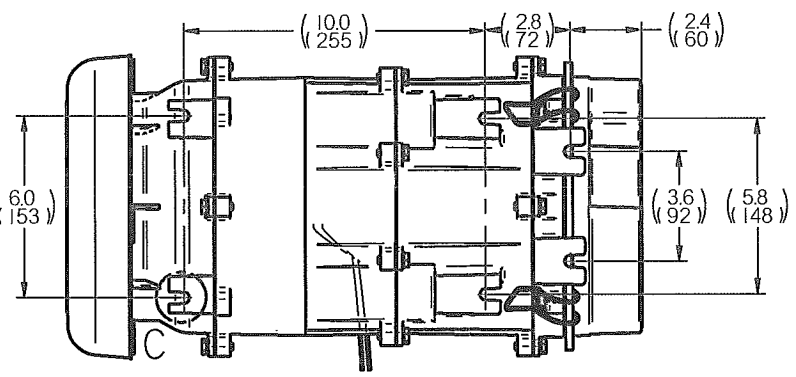
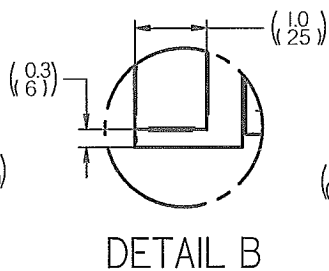
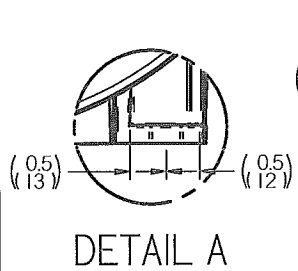
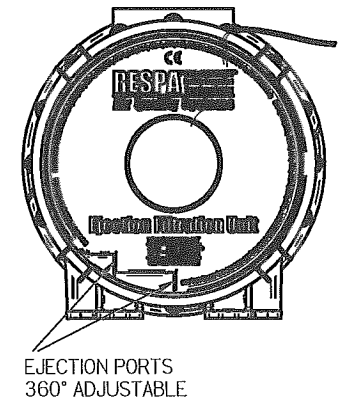
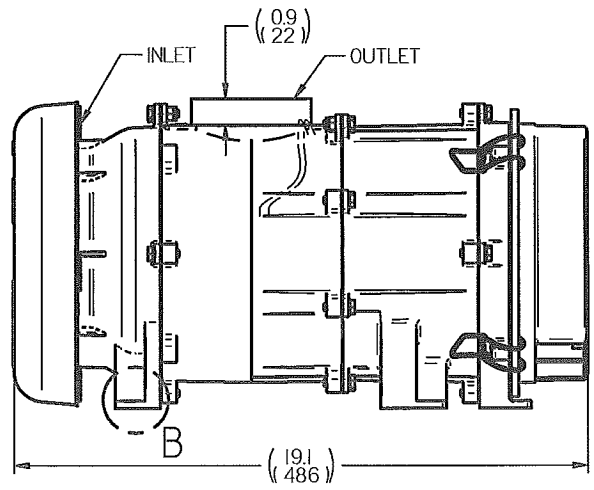
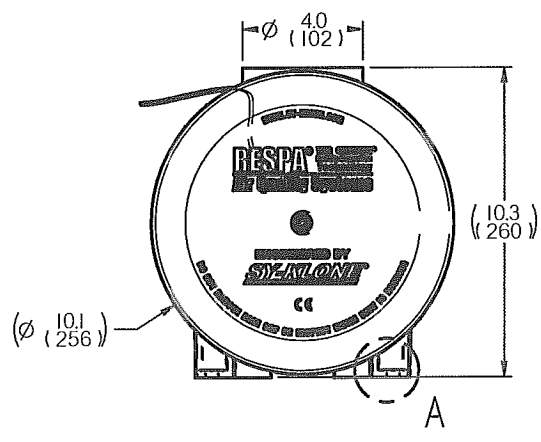


CUSTOMER SY-KLONE INTERNATIONAL
 CUSTOMER PART NO. R502011010008
 NOTES:

DRW REV	DESCRIPTION OF CHANGE	REV BY	DATE	CHECKED BY	DATE
00	INITIAL RELEASE	JSB	12/15/11	ELE	12/15/11



- NOTES:
 1. OPERATING VOLTAGE: 24 VDC
 2. OPERATING CURRENT: 6 AMPS @ 24V
 3. WIRING - 16 AWG, 16 IN. (406 MM) LEADS,
 4. CONNECTOR: NONE
 5. WEIGHT: 9.8 LBS (4.5 KG)
 6. MATERIAL: ENGINEERING POLYMER
 7. FILTER REQUIRES APPROXIMATELY
 6.25 INCHES (159 MM) OF CLEARANCE FOR REMOVAL.

UNLESS OTHERWISE SPECIFIED DIMENSIONS ARE IN INCHES		SY-KLONE INTERNATIONAL		DRAWN BY: JSB CHECKED BY: ELE PART BY: JSB PART NO. R502011010008 DESCRIPTION: RESPA CF DRAWING NO. R502011010008_00_SYK_00.dft GEOMETRY NO. R502011010008_00 GEOMETRY REV 00	
DRAWING CONFORMS WITH SY-KLONE SPEC 001		6999 POWERS AVE. SUITE 17 JACKSONVILLE, FL 32214 PHONE 904-418-6563 WWW.SY-KLONE.COM		DATE: 12/15/11 DATE: 12/15/11 DATE: 12/15/11	
KEY PRODUCT CHARACTERISTICS: ▲ SAFETY/COMPLIANCE ◆ FIT/FUNCTION TOTAL ON DRAWING: 0		ALL MACHINED SURFACES: 12.5 EST WEIGHT: N/A FINISH: N/A MATERIAL:		THE INFORMATION HEREON IS THE PROPERTY OF SY-KLONE INTERNATIONAL AND/OR ITS SUBSIDIARIES. ANY COPYING, TRANSMITTAL AND/OR ANY USE, EXCEPT THAT FOR WHICH IT IS LOANED, WITHOUT WRITTEN PERMISSION IS PROHIBITED. ALL RIGHTS RESERVED UNDER THE COPYRIGHT LAWS.	
DRAWING TYPE: SALES REF. DRAWING: 121IRE86		PATENT NUMBERS: UNITED STATES: 5240593, 5656950, 5766315, 6878189 B2, 6319304 B1, 6338745 B1, 6406506 B1, 6425843 B1, 7056368 JAPAN: 2003-506 204A EUROPEAN UNION: EP 1 204 450 B1 UNITED KINGDOM: 1 204 450		SHEET 1 OF 2 SIZE B	

5

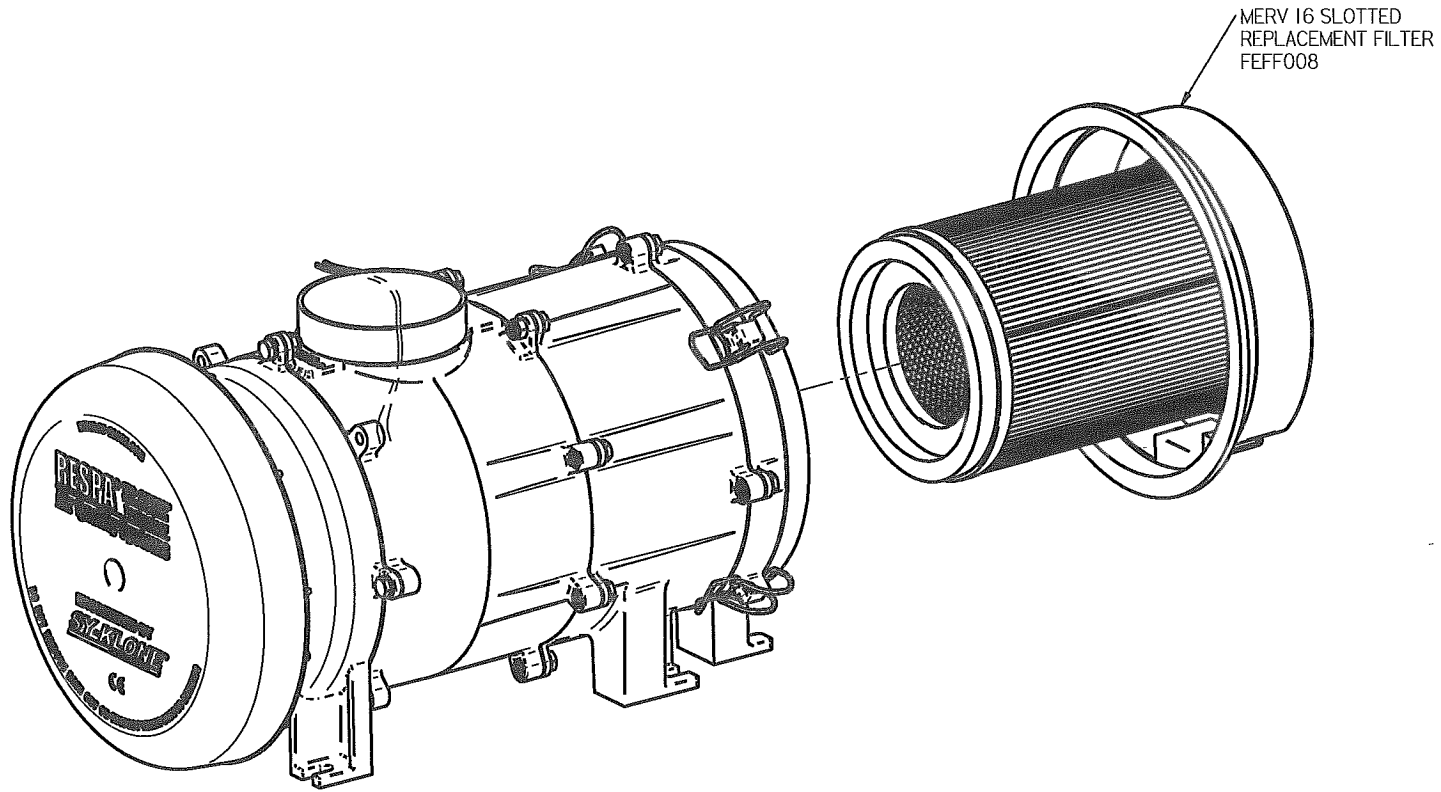
4

3

2

CUSTOMER SY-KLONE INTERNATIONAL
 CUSTOMER PART NO R502011010008
 NOTES:

DRW. REV.	DESCRIPTION OF CHANGE	REV BY	DATE	CHECKED BY	DATE
00	INITIAL RELEASE	JSB	12/15/11	ELE	12/15/11



FILTER REQUIRES APPROXIMATELY
 6.25 INCHES (159 MM) OF CLEARANCE
 FOR REMOVAL.

UNLESS OTHERWISE SPECIFIED DIMENSIONS ARE IN INCHES		SY-KLONE INTERNATIONAL 6933 POWERS AVE. SUITE 17 JACKSONVILLE, FL 32216 PHONE: 904-448-6563 WWW.SY-KLONE.COM	DRIFT BY: JSB	DATE: 12/15/11
DRAFT CONFORMS WITH: SY-KLONE SPEC 001			CHECKED BY: JSB	DATE: 12/15/11
SY-KLONE SPEC 002 THIS AND TO:			PART BY: JSB	DATE: 12/15/11
DO NOT SCALE THIS DRAWING		ALL MACHINED SURFACES: 12.5μ	PART NO. R502011010008	
KEY PRODUCT CHARACTERISTICS ▲ SAFETY/COMPLIANCE ◆ FIT/FUNCTION TOTAL ON DRAWING: 0		EST WEIGHT: N/A	DESCRIPTION RESPA CF	
DRAWING TYPE: SALES		FINISH: N/A	DRAWING NO. R502011010008.00.SYK.00.dft	
REF DRAWING: 121IRE86		PATENT NUMBERS UNITED STATES: 5240593, 5658950, 5760315, 6878169 B2, 6319304 B1, 6338745 B1, 6405505 B1, 6425943 B1, 7056398 JAPAN: 2003-506 204A SWEDEN: 1 204 450 EUROPEAN UNION: EP 1 204 450 B1 GERMANY: 600 19 610 0 ITALY: 1 204 450 UNITED KINGDOM: 1 204 450	MATERIAL:	
		THE INFORMATION HEREIN IS THE PROPERTY OF SY-KLONE INTERNATIONAL AND/OR ITS SUBSIDIARIES. ANY COPYING, TRANSMITTAL AND/OR ANY USE, EXCEPT THAT FOR ARCHIVE IS PROHIBITED, WITHOUT WRITTEN PERMISSION IS PROHIBITED. ALL RIGHTS RESERVED UNDER THE COPYRIGHT LAWS.		GEOMETRY NO. R502011010008.00
				GEOMETRY REV 00
				SHEET 2 OF 2
				SIZE B

D

C

B

A

D

C

B

A

Solid Edge

5

4

3

2