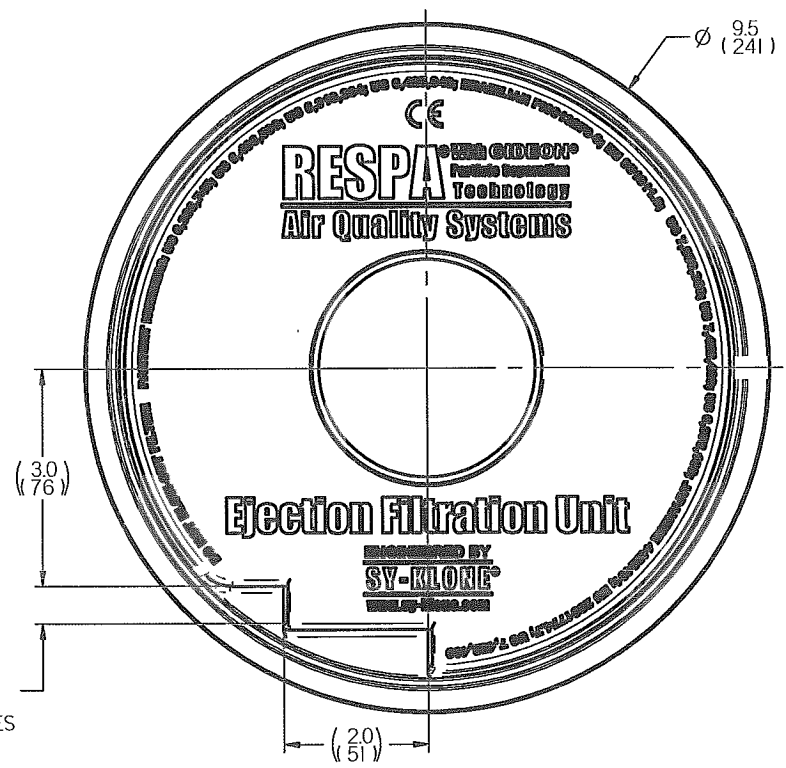
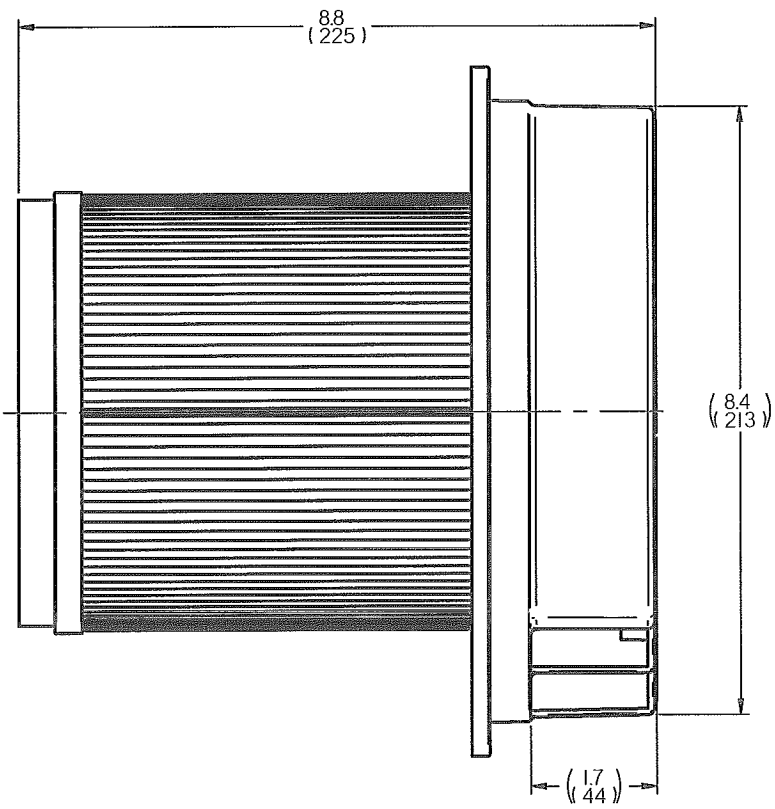


CUSTOMER SY-KLONE INTERNATIONAL  
 CUSTOMER PART NO FEFF008  
 NOTES

DRW REV	DESCRIPTION OF CHANGE	REV BY	DATE	CHECKED BY	DATE
00	INITIAL RELEASE	JSB	12/15/11	ELE	12/15/11



- SPECIFICATIONS  
 1. WATER RESISTANT  
 2. MERV RATING: 16

UNLESS OTHERWISE SPECIFIED DIMENSIONS ARE IN INCHES DRAFT CONFORMS WITH SY-KNSPEC001		<b>SY-KLONE INTERNATIONAL</b> 6993 POWERS AVE. SUITE 17 JACKSONVILLE, FL 32217 PHONE 904-418-6563 WWW.SY-KLONE.COM	DRAWN BY: JSB CHECKED BY: JDS PART BY: JSB	DATE: 12/15/11 DATE: 12/15/11 DATE: 12/15/11
DO NOT SCALE THIS DRAWING KEY PRODUCT CHARACTERISTICS ▲ SAFETY/COMPLIANCE ◆ FIT/FUNCTION TOTAL ON DRAWING: 0	ALL MACHINED SURFACES: 125 EST WEIGHT: N/A FINISH: N/A		THE INFORMATION HEREON IS THE PROPERTY OF SY-KLONE INTERNATIONAL AND/OR ITS SUBSIDIARIES. ANY COPYING, REPRODUCTION AND/OR ANY USE, EXCEPT THAT FOR WHICH IT IS LOANED, WITHOUT WRITTEN PERMISSION IS PROHIBITED. ALL RIGHTS RESERVED UNDER THE COPYRIGHT LAWS.	PART NO: FEFF008 DESCRIPTION: RESPA M16 SLOTTED FILTER DRAWING NO: FEFF008_00_Syk_00.dft
DRAWING TYPE: SALES REF DRAWING: 0210F09	PATENT NUMBERS UNITED STATES: 5240593, 5659050, 5766315, 6878189 B2, 6319304 B1, 6338745 B1, 6405505 B1, 6425943 B1, 7056388 JAPAN: 2003-506 204A EUROPEAN UNION: EP 1 204 450 B1 UNITED KINGDOM: 1 204 450	MATERIAL: SWEDEN: 1 204 450 GERMANY: 600 19 6100 ITALY: 1 204 450	GEOMETRY NO: FEFF008_00 GEOMETRY REV: 00 SHEET 1 OF 1 SIDE: B	