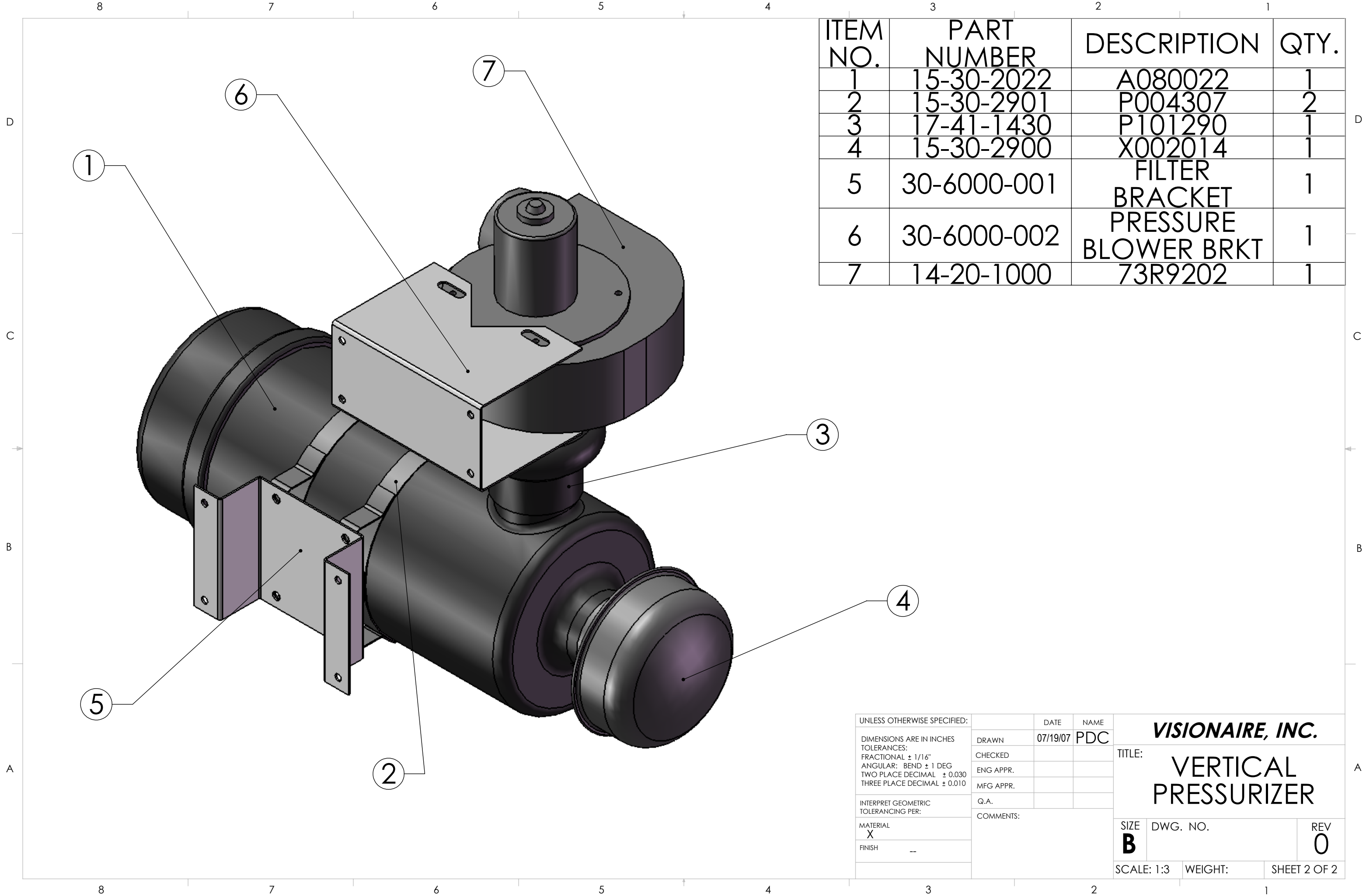


UNLESS OTHERWISE SPECIFIED:		DATE	NAME	VISIONAIRE, INC.
DIMENSIONS ARE IN INCHES		07/19/07	PDC	
TOLERANCES:		DRAWN		TITLE:
FRACTIONAL $\pm 1/16"$		CHECKED		VERTICAL PRESSURIZER
ANGULAR: BEND ± 1 DEG		ENG APPR.		SIZE B
TWO PLACE DECIMAL ± 0.030		MFG APPR.		DWG. NO.
THREE PLACE DECIMAL ± 0.010		Q.A.		REV 0
INTERPRET GEOMETRIC TOLERANCING PER:		COMMENTS:		SCALE: 1:5
MATERIAL X				WEIGHT:
FINISH --				SHEET 1 OF 2



ITEM NO.	PART NUMBER	DESCRIPTION	QTY.
1	15-30-2022	A080022	1
2	15-30-2901	P004307	2
3	17-41-1430	P101290	1
4	15-30-2900	X002014	1
5	30-6000-001	FILTER BRACKET	1
6	30-6000-002	PRESSURE BLOWER BRKT	1
7	14-20-1000	73R9202	1

UNLESS OTHERWISE SPECIFIED:		DATE	NAME	VISIONAIRE, INC.
DIMENSIONS ARE IN INCHES TOLERANCES: FRACTIONAL ± 1/16" ANGULAR: BEND ± 1 DEG TWO PLACE DECIMAL ± 0.030 THREE PLACE DECIMAL ± 0.010		DRAWN	07/19/07	
INTERPRET GEOMETRIC TOLERANCING PER:		CHECKED		TITLE: VERTICAL PRESSURIZER
MATERIAL X		ENG APPR.		SIZE B
FINISH --		MFG APPR.		DWG. NO.
		Q.A.		REV 0
		COMMENTS:		SCALE: 1:3
				WEIGHT:
				SHEET 2 OF 2