



Air Top Evo

Air Heater

Specifications

| | Air Top Evo 3900 | Air Top Evo 5500 |
|-----------------------------|---|----------------------|
| Heating power (Btu/h) | 5,100 – 13,300 | 5,100 – 18,700 |
| Fuel | Diesel #1, #2, Arctic, Biodiesel B5 & B20, and Gasoline | |
| Fuel consumption (gal/h) | 0.05 – 0.13 | 0.05 – 0.19 |
| Rated Voltage (V) | 12 | 12 / 24 |
| Operating Voltage Range (V) | 10.5 – 16 | 10.5 – 16 / 21 - 32 |
| Rated Input (AMPS) | 1.25 - 3.75 | 1.25 – 9.66 |
| Air Flow (cfm) | 77.7 | 117.7 |
| Dimensions LxWxH (in) | 16.65 x 5.83 x 6.375 | 16.65 x 5.83 x 6.375 |
| Weight (lbs) | 13 | 13 |

Standard Kit Components:

Air Top 3900 Evo 12V Diesel Kit Part No: 5001446A

Air Top 5500 Evo 12V Diesel Kit Part No: 5001458A

Air Top 5500 Evo 24V Diesel Kit Part No: 5001466A

Integrated Control Unit

On/Off Switch w/Variable Temperature Control

Fuel Metering Pump w/Mounting Bracket

Fuel Line

Fuel Filter

Universal Fuel Standpipe

Heater Mounting Bracket w/Gasket

Wiring Harness w/Fuse Holder

Exhaust Tubing

Combustion Air Tubing

Heater Ducting

Air Inlet/Outlet Grills

Operation/Installation Manual

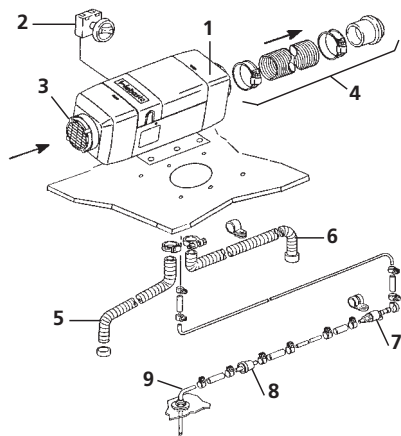
2,000 hour/2 Year Limited Warranty

7-Day Comfort Timer (optional)

Multi-functional Control (optional)

*Sleeper, Interior Cargo and Exterior Cargo kits available.
Ask your dealer for more details.

System Schematic



1. Air Top
2. Control Dial
3. Cold Air Inlet
4. Hot Air Outlet/Ducting
5. Combustion Air Inlet
6. Exhaust Outlet
7. Fuel Metering Pump
8. Fuel Filter
9. Fuel Standpipe