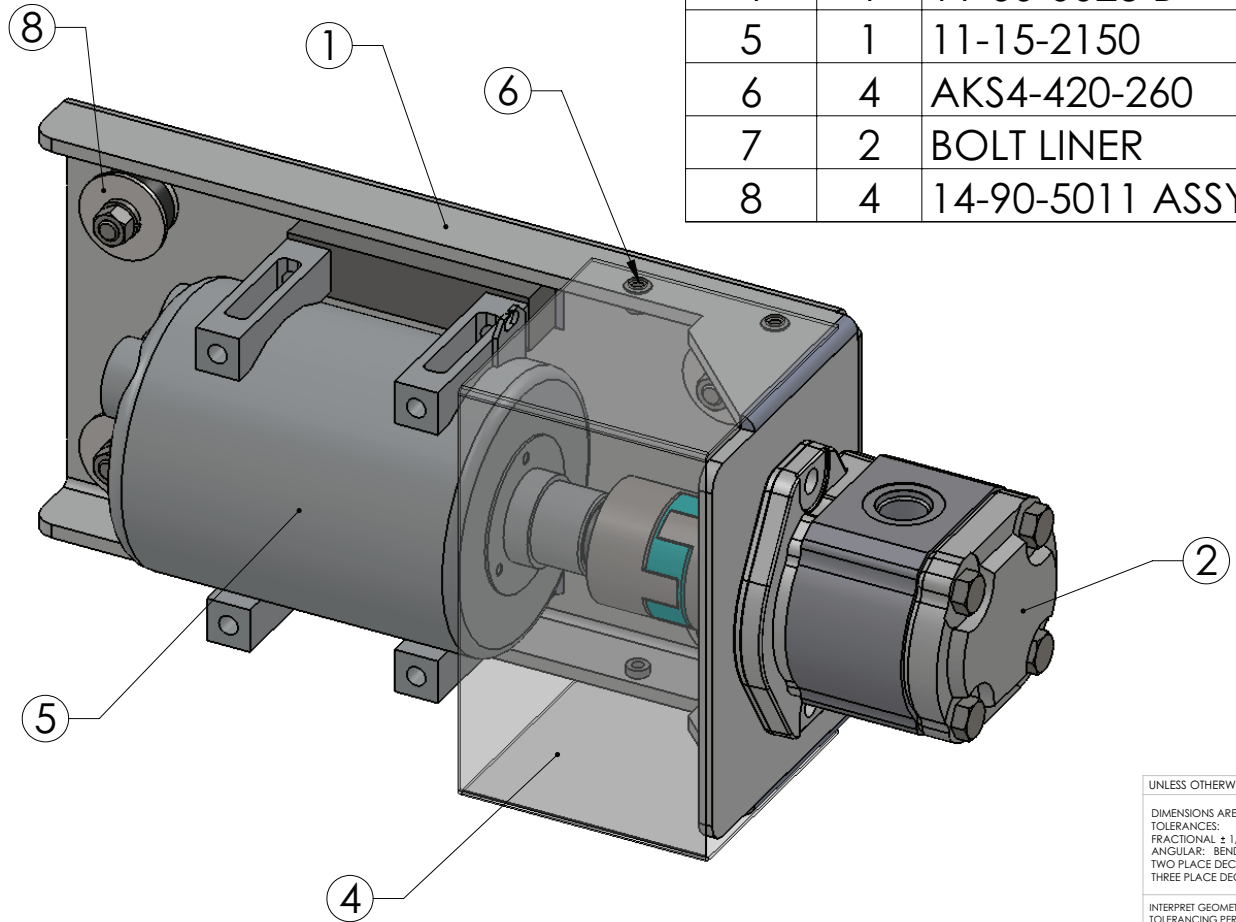


ITEM	QTY.	PART NO.	DESCRIPTION
1	1	11-60-0023 ASSY	21 MOUNT
2	1	14-80-0230	4 GAL MOTOR
3	1	TM-21HD COUPLING	COUPLING & SPIDER
4	1	11-60-0023 B	MOUNT COVER
5	1	11-15-2150	QUE 21
6	4	AKS4-420-260	1/4-20 UNC
7	2	BOLT LINER	McMaster 97305A200
8	4	14-90-5011 ASSY	ISSOLATOR ASSY



UNLESS OTHERWISE SPECIFIED:		DATE	NAME	VISIONAIRE, INC.
DIMENSIONS ARE IN INCHES		1/20/2011	PDC	
TOLERANCES:		DRAWN		TITLE:
FRACTIONAL ± 1/16"		CHECKED		41-1320-0350
ANGULAR: BEND ± 1 DEG		ENG APPR.		SIZE DESCRIPTION REV
TWO PLACE DECIMAL ± 0.030		MFG APPR.		B TM21 WITH 4GAL 1
THREE PLACE DECIMAL ± 0.010		Q.A.		SCALE: 1:2 WEIGHT: SHEET 1 OF 1
INTERPRET GEOMETRIC TOLERANCING PER:		COMMENTS:		
MATERIAL				
FINISH				
FLAT BLACK POWDER E300-BK11 OR EQUIV.				