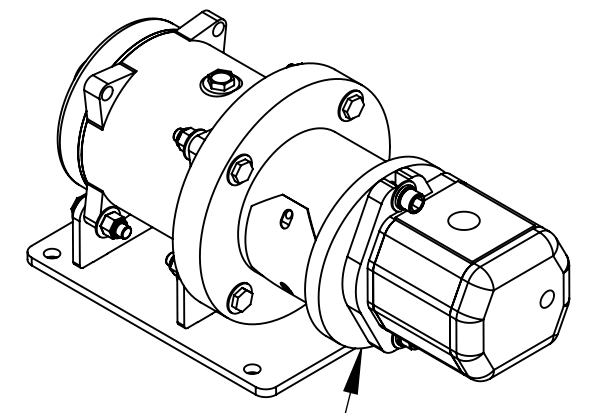
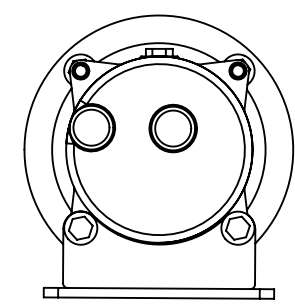
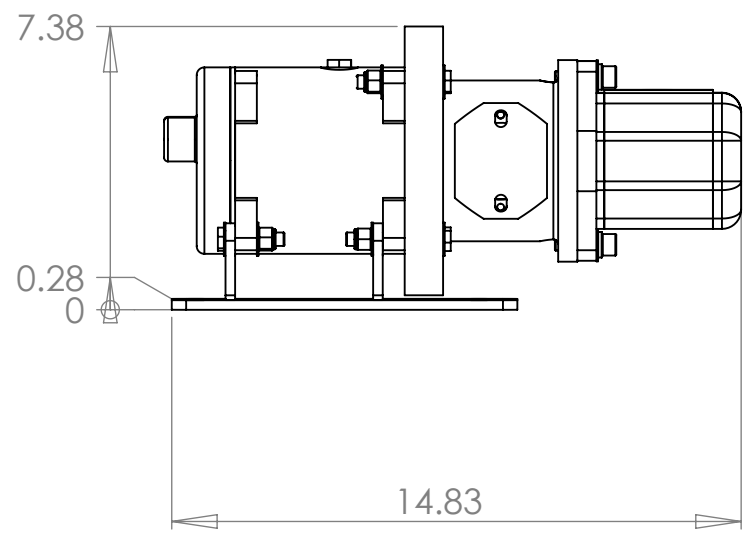
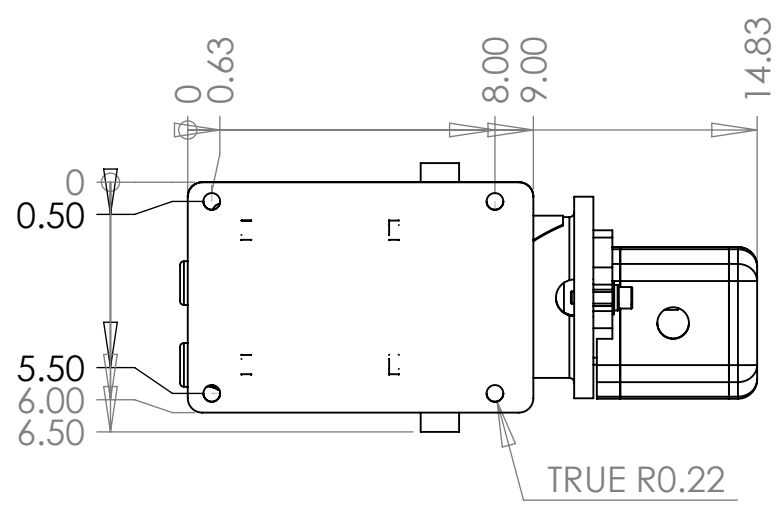


8 7 6 5 4 3 2 1

D  
C  
B  
A

D  
C  
B  
A



MOTOR AND MOUNT CAN BE ROTATED IN 90° INCREMENTS TO FACILITATE INSTALLATION AND MAINTENANCE

**PROPRIETARY AND CONFIDENTIAL**  
THE INFORMATION CONTAINED IN THIS DRAWING IS THE SOLE PROPERTY OF VISIONAIRE, INC. ANY REPRODUCTION IN PART OR AS A WHOLE WITHOUT THE WRITTEN PERMISSION OF VISIONAIRE, INC. IS PROHIBITED.

		UNLESS OTHERWISE SPECIFIED:		NAME	DATE	<b>VISIONAIRE, INC</b>	
		DIMENSIONS ARE IN INCHES		DRAWN	BKERR		
		TOLERANCES:		CHECKED			TITLE:
		FRACTIONAL ±		ENG APPR.			<b>41-1300-110</b>
		ANGULAR: MACH ± BEND ±		MFG APPR.			
		TWO PLACE DECIMAL ±		Q.A.			SIZE
		THREE PLACE DECIMAL ±		COMMENTS:			DWG. NO.
		INTERPRET GEOMETRIC TOLERANCING PER:					REV
		MATERIAL					<b>B</b>
		FINISH					29-92935-H-DD
NEXT ASSY	USED ON	DO NOT SCALE DRAWING					SCALE: 1:5
APPLICATION							WEIGHT:
							SHEET 1 OF 1

8 7 6 5 4 3 2 1