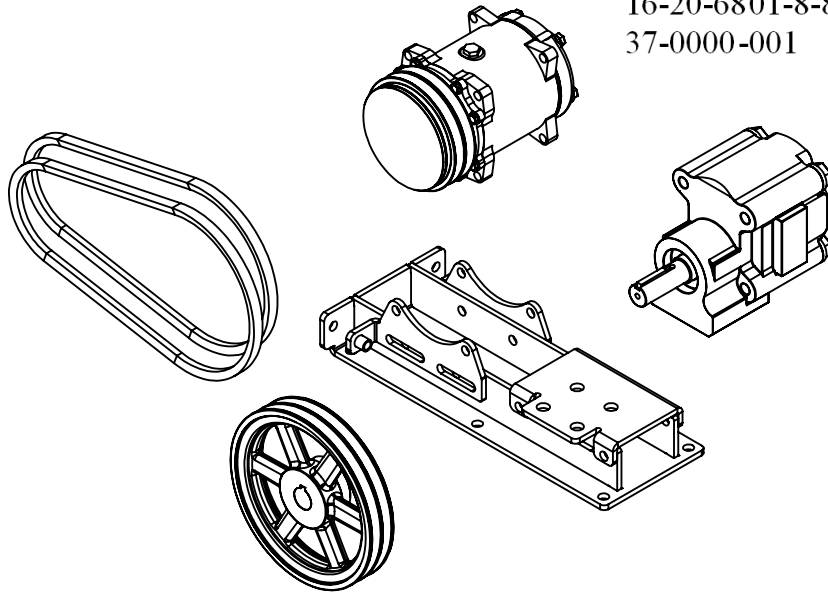


41-1200-110

12V HYDRAULIC MOTOR COMP. ASSY.

COMPONENT FIND# STEP	REV	TYP	QTY/BILL	U/M	DESCRIPTION
11-10-45 10	000		1.00 EACH	COMP.	SANDEN 12V 134a
11-60-00 10	000		1.00 EACH	MOUNT	(COMP. & HYD MOTOR)
11-70-10 37	000		2.00 EACH	COMPRESSOR	BELT
14-80-00 10	000		1.00 EACH	MOTOR,	HYDRAULIC - CI - 10 GPM
14-82-00 10	000		1.00 EACH	SHEAVE,	8inX1in 2 GR
16-20-2404-6-4	000		1.00 EACH	HYDRAULIC	FITTING--ST- MT- MP
16-20-6801-8-8	000		2.00 EACH	HYDR. FITT.	-90 DEGREE-MT-AO
37-0000-001	000		1.00 EACH	SERIAL I.D.	PLATE



PROPRIETARY AND CONFIDENTIAL
 THE INFORMATION CONTAINED IN THIS DRAWING IS THE SOLE PROPERTY OF <INSERT COMPANY NAME HERE>. ANY REPRODUCTION IN PART OR AS A WHOLE WITHOUT THE WRITTEN PERMISSION OF <INSERT COMPANY NAME HERE> IS PROHIBITED.

		UNLESS OTHERWISE SPECIFIED:		NAME	DATE
		DIMENSIONS ARE IN INCHES	DRAWN		
		TOLERANCES:	CHECKED		
		FRACTIONAL ±	ENG APPR.		
		ANGULAR: MACH ± BEND ±	MFG APPR.		
		TWO PLACE DECIMAL ±	Q.A.		
		THREE PLACE DECIMAL ±	COMMENTS:		
		INTERPRET GEOMETRIC TOLERANCING PER:			
		MATERIAL			
		FINISH			
NEXT ASSY	USED ON				
APPLICATION		DO NOT SCALE DRAWING			

VISIONAIRE, INC.

TITLE:
 12V HYD COMPRESSOR ASSBY

SIZE	DWG. NO.	REV
A	41-1200-110	

SCALE: 1:8	WEIGHT:	SHEET 1 OF 1
------------	---------	--------------