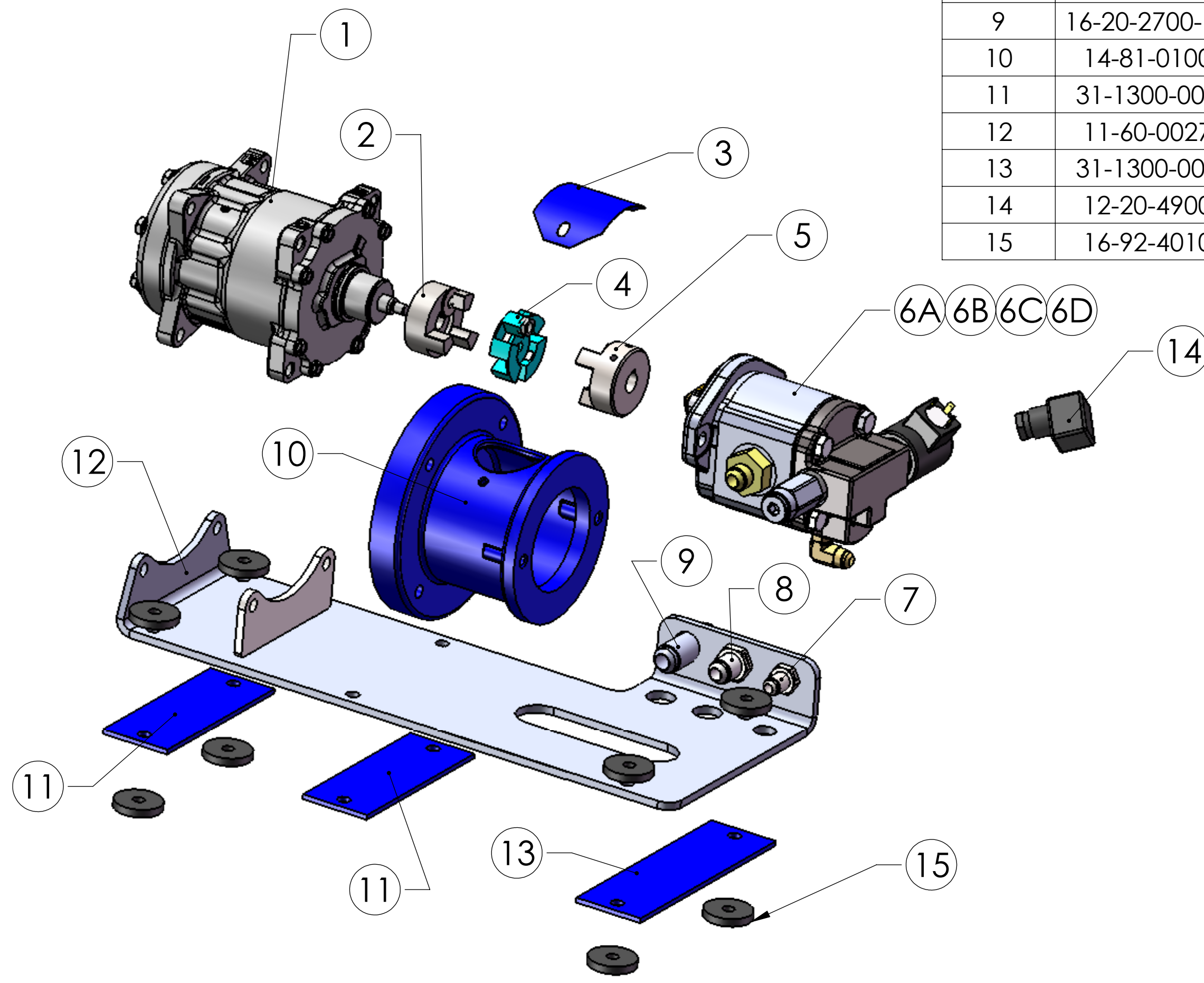


ITEM #	PART #	DESCRIPTION	QTY.
1	11-10-0070	COMPRESSOR RP O'RING CLUTCHLESS	1
2	14-82-0110	MAG COUPLING COMPRESSOR	1
3	14-81-0101	BELL HOUSING COVER	1
4	14-82-0102	DD COUPLING INSERT - MAG	1
5	14-82-0100	MAG COUPLING - MOTOR	1
6A	14-80-0210	HYD MOTOR 12V 16CC	1
6B	14-80-0220	HYD MOTOR 24V 16CC	1
6C	14-80-0212	HYD MOTOR 12V 27CC	1
6D	14-80-0222	HYD MOTOR 24V 27CC	1
7	16-20-2700-6-6	#6 HYDRAULIC FITTING - BULKHEAD	1
8	16-20-2700-8-8	#8 HYDRAULIC FITTING - BULKHEAD	1
9	16-20-2700-10	#10 HYDRAULIC FITTING - BULKHEAD	1
10	14-81-0100	DD BELL HOUSING	1
11	31-1300-002	ISOLATOR PAD - 6.00" X 3.00" - 16CC	2
12	11-60-0027	HYDRAULIC MOUNT	1
13	31-1300-004	ISOLATOR PAD - 7.56 X 2.25 - 16CC	1
14	12-20-4900	HYDRA DIN CONNECTOR	1
15	16-92-4010	RUBBER WASHER - 27CC	8



MODEL 41-1340-1540: HYDRAULIC DD 12V SD7 REAR PORT O'RING 16CC MOTOR
MODEL 41-1340-2540: HYDRAULIC DD 24V SD7 REAR PORT O'RING 16CC MOTOR
MODEL 41-1340-1570: HYDRAULIC DD 12V SD7 REAR PORT O'RING 27CC MOTOR
MODEL 41-1340-2570: HYDRAULIC DD 24V SD7 REAR PORT O'RING 27CC MOTOR

VISIONAIRE, INC.
 MANUFACTURER AND DISTRIBUTOR OF HEATERS AND AIR CONDITIONERS FOR HEAVY EQUIPMENT

1502 109TH STREET
 GRAND PRAIRE, TEXAS 75050
 972-647-1056 www.visionaire-inc.com

DRAWN	NAME	DATE	DOCUMENT NO:
ENG APPR.	RP	8/5/15	90-1340-001
	CNH	8/5/15	