

ITEM	QTY.	PART NO.	DESCRIPTION
1	1	15-10-1007	RETURN AIR FILTER
2	1	30-7160-006	EVAP COVER
3	1	30-7160-007	COMPRESSOR COVER
4	1	30-7070-012	RELAY BRACKET
5	1	12-54-1001	THERMOSTAT 24"
6	1	12-52-1050	50 AMP BREAKER
7	1	12-52-1015	15 AMP BREAKER
8	2	12-53-2001	RELAY 12V
9	1	12-32-2050	HEATER CONTROL
10	1	12-51-2002	HEATER CONTROL KNOB
11	1	12-50-1001	ON/OFF TOGGLE
12	1	12-50-1002	FAN SPEED SWITCH
13	1	12-50-1003	FAN/ AC MODE
14	1	10-40-7160	A/C & HEAT EVAPORATOR
15	1	12-11-1202	EXPANSION VALVE
16	1	12-32-2050	COOLANT VALVE BODY
17	1	13-10-2003	7160 DRIER
18	1	41-1310-1240	DD WITH VALVED MOTOR
19	1	14-20-0020	BLOWER 12V
20	1	30-7160-020	BLOWER BRKT L
21	1	30-7160-021	BLOWER BRKT R
22	1	30-7160-001	12 GA MAIN WELDMENT
23	1	16-40-1102	PRESSURIZER COVER
24	1	30-7160-014	PLENUM
25	4	12-40-1350	ROUND LOUVERS
26	1	16-40-1103	2 1/2" PRESSURIZER RING
27	1	30-7160-015	HOSE COVER
28	1	16-40-1100	3" PRESSURIZER RING
29	1	10-10-7070	7070 CONDENSOR COIL
30	1	30-7160-008	CONDENSER COVER
31	1	14-10-1610	CONDENSER FAN

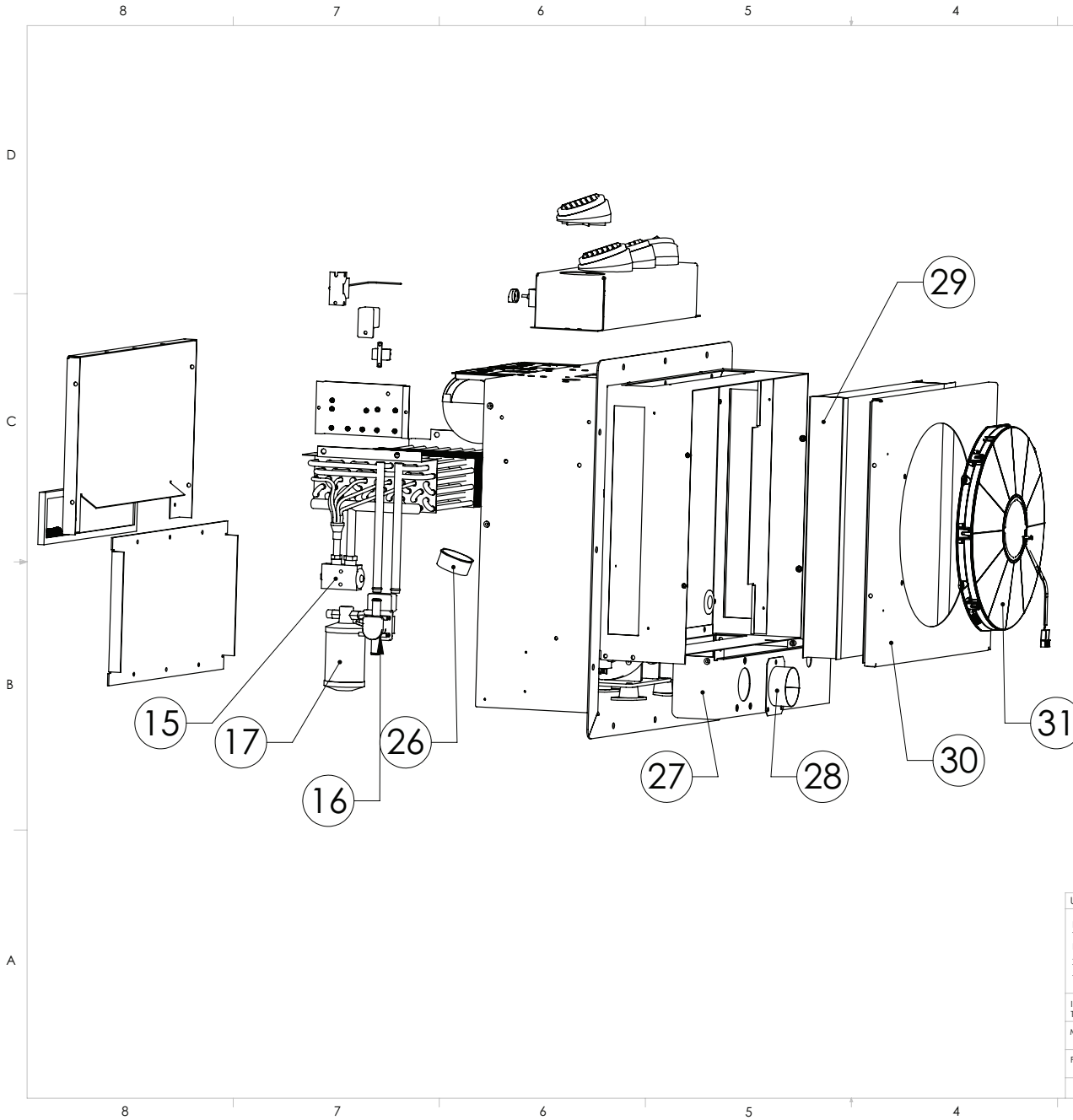
UNLESS OTHERWISE SPECIFIED:		DATE	NAME
DIMENSIONS ARE IN INCHES		4/13/2012	PDC
TOLERANCES:			
FRACTIONAL ± 1/16"			
ANGULAR: BEND ± 1 DEG			
TWO PLACE DECIMAL ± 0.030			
THREE PLACE DECIMAL ± 0.010			
INTERPRET GEOMETRIC TOLERANCING PER:			
MATERIAL			
FINISH			
	COMMENTS:		

**VISIONAIRE, INC.**

TITLE:  
**47-7160-13XX**

SIZE	DESCRIPTION	REV
<b>B</b>		<b>1</b>

SCALE: 1:8    WEIGHT:    SHEET 1 OF 2



ITEM	QTY.	PART NO.	DESCRIPTION
1	1	15-10-1007	RETURN AIR FILTER
2	1	30-7160-006	EVAP COVER
3	1	30-7160-007	COMPRESSOR COVER
4	1	30-7070-012	RELAY BRACKET
5	1	12-54-1001	THERMOSTAT 24"
6	1	12-52-1050	50 AMP BREAKER
7	1	12-52-1015	15 AMP BREAKER
8	2	12-53-2001	RELAY 12V
9	1	12-32-2050	HEATER CONTROL
10	1	12-51-2002	HEATER CONTROL KNOB
11	1	12-50-1001	ON/OFF TOGGLE
12	1	12-50-1002	FAN SPEED SWITCH
13	1	12-50-1003	FAN/ AC MODE
14	1	10-40-7160	A/C & HEAT EVAPORATOR
15	1	12-11-1202	EXPANSION VALVE
16	1	12-32-2050	COOLANT VALVE BODY
17	1	13-10-2003	7160 DRIER
18	1	41-1310-1240	DD WITH VALVED MOTOR
19	1	14-20-0020	BLOWER 12V
20	1	30-7160-020	BLOWER BRKT L
21	1	30-7160-021	BLOWER BRKT R
22	1	30-7160-001	12 GA MAIN WELDMENT
23	1	16-40-1102	PRESSURIZER COVER
24	1	30-7160-014	PLENUM
25	4	12-40-1350	ROUND LOUVERS
26	1	16-40-1103	2 1/2" PRESSURIZER RING
27	1	30-7160-015	HOSE COVER
28	1	16-40-1100	3" PRESSURIZER RING
29	1	10-10-7070	7070 CONDENSOR COIL
30	1	30-7160-008	CONDENSER COVER
31	1	14-10-1610	CONDENSER FAN

UNLESS OTHERWISE SPECIFIED:		DATE	NAME	<b>VISIONAIRE, INC.</b> TITLE: <h1 style="margin: 0;">47-7160-13XX</h1>
DIMENSIONS ARE IN INCHES		DRAWN	4/13/2012 PDC	
TOLERANCES:		CHECKED		
FRACTIONAL ± 1/16"		ENG APPR.		
ANGULAR: BEND ± 1 DEG		MFG APPR.		Q.A.
TWO PLACE DECIMAL ± 0.030		COMMENTS:		
THREE PLACE DECIMAL ± 0.010				
INTERPRET GEOMETRIC TOLERANCING PER:				SIZE
MATERIAL				<b>B</b>
FINISH				DESCRIPTION
				REV
				<b>1</b>
				SCALE: 1:8
				WEIGHT:
				SHEET 2 OF 2

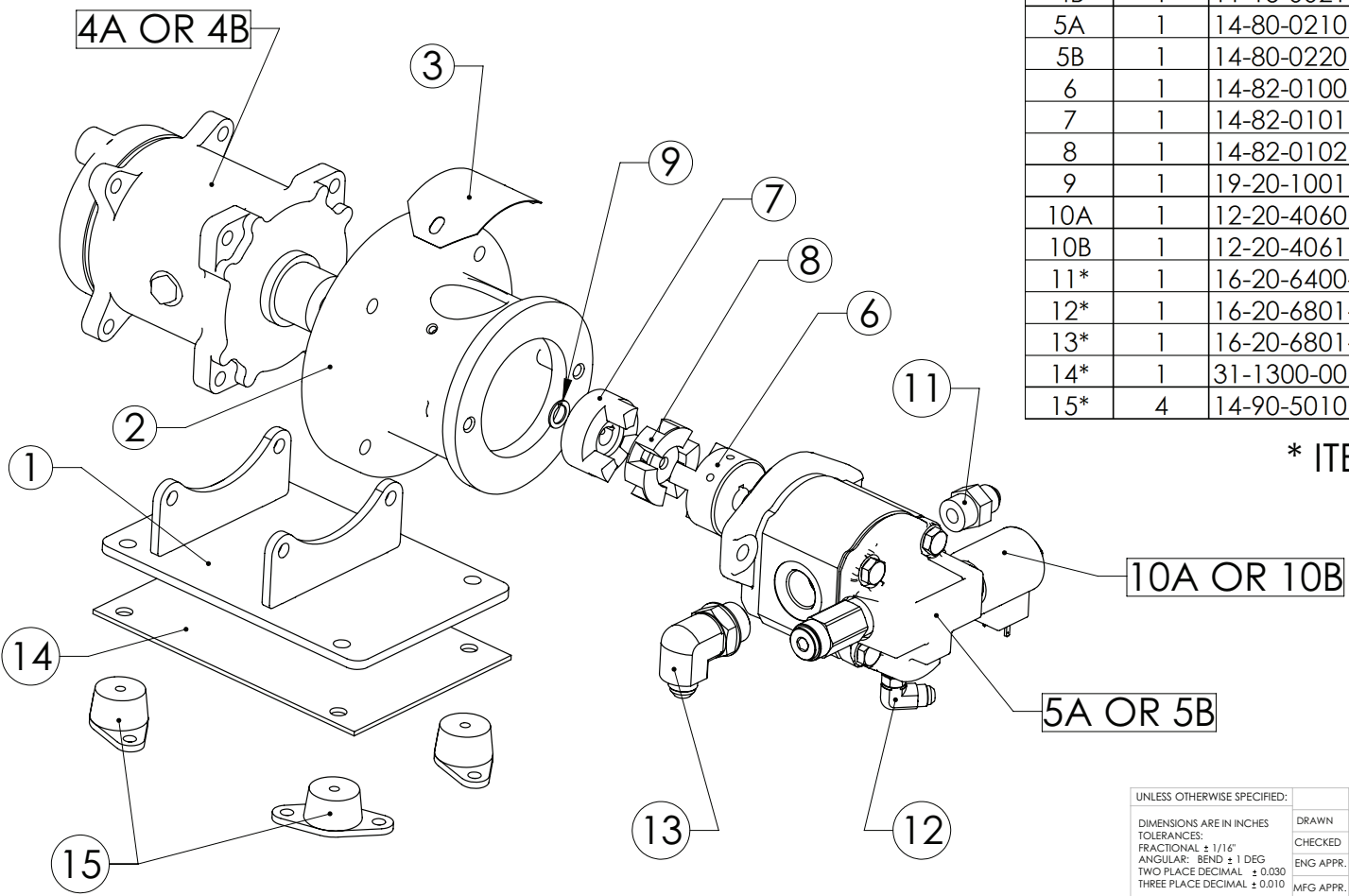
8 7 6 5 4 3 2 1

D

C

B

A



ITEM	QTY.	PART NO.	DESCRIPTION
1	1	11-60-0021	DD MOUNT
2	1	14-81-0200	CAST BELL HOUSING
3	1	14-81-0101	BELL HOUSING COVER
4A	1	11-15-0022(SHOWN)	COMP REAR PORT TUBO
4B	1	11-15-0021	COMP TOP PORT ORING
5A	1	14-80-0210	HALDEX HYD MOTOR 12V
5B	1	14-80-0220	HALDEX HYD MOTOR 24V
6	1	14-82-0100	COUPLING - HYD MOTOR
7	1	14-82-0101	COUPLING - COMPRESSOR
8	1	14-82-0102	COUPLING INSERT
9	1	19-20-1001	COUPLING ARBOR SPACER
10A	1	12-20-4060	VALVE COIL 12V
10B	1	12-20-4061	VALVE COIL 24V
11*	1	16-20-6400-08-10	PRESSURE INLET FITTING
12*	1	16-20-6801-06-04	CASE DRAIN FITTING
13*	1	16-20-6801-08-12	RETURN FITTING
14*	1	31-1300-001	VIBRO ISSOLATOR PAD
15*	4	14-90-5010	VIBRO ISSOLATORS

\* ITEMS OPTIONAL

10A OR 10B

5A OR 5B

ORING 41-1310-X140  
TUBO 41-1310-X240

MODEL 7160 DIRECT DRIVE AS SHOWN

UNLESS OTHERWISE SPECIFIED:		DATE	NAME	<b>VISIONAIRE, INC.</b> TITLE: 41-1310-1X40 12V 41-1310-2X40 24V SIZE DESCRIPTION REV <b>B</b> 12V OR 24V DD <b>0</b> SCALE: 1:3 WEIGHT: SHEET 1 OF 1
DIMENSIONS ARE IN INCHES		4/13/2012	PDC	
TOLERANCES:				
FRACTIONAL ± 1/16" ANGULAR: BEND ± 1 DEG TWO PLACE DECIMAL ± 0.030 THREE PLACE DECIMAL ± 0.010				
INTERPRET GEOMETRIC TOLERANCING PER:		Q.A.		
MATERIAL		COMMENTS:		
FINISH				

8 7 6 5 4 3 2 1