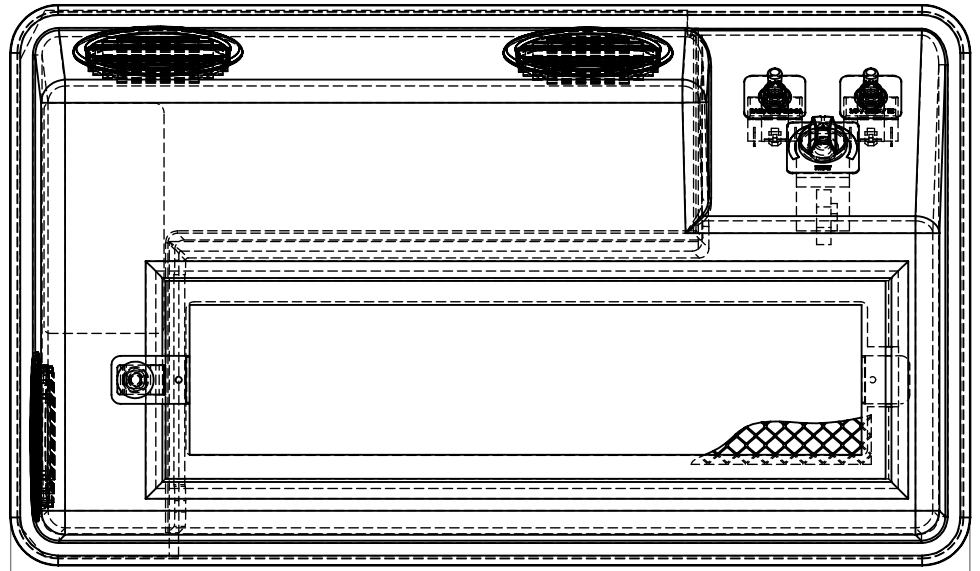
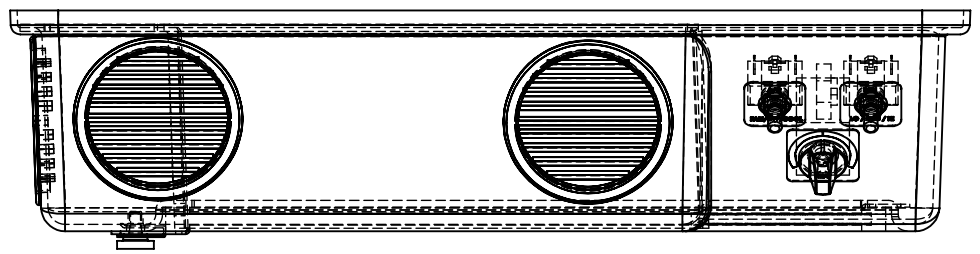
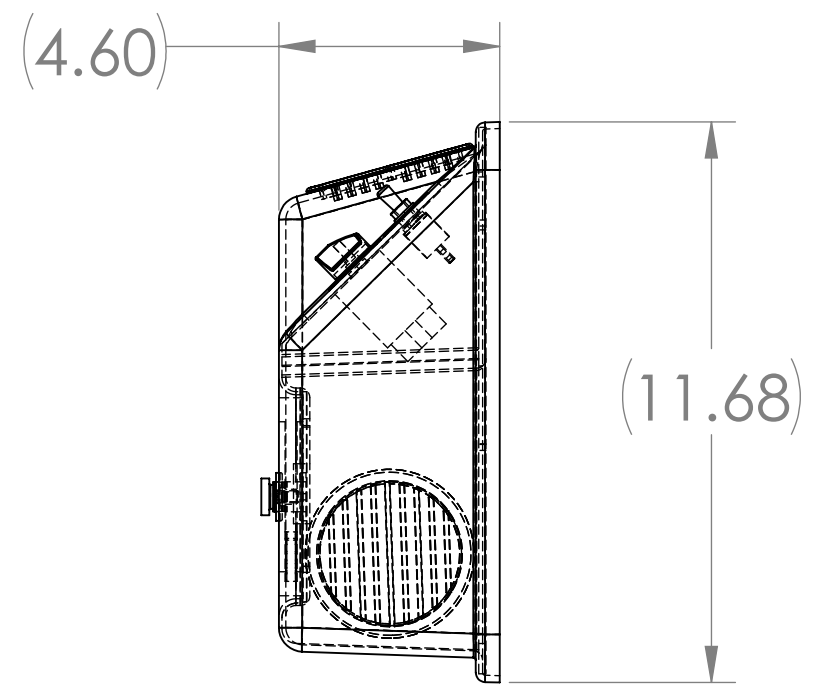
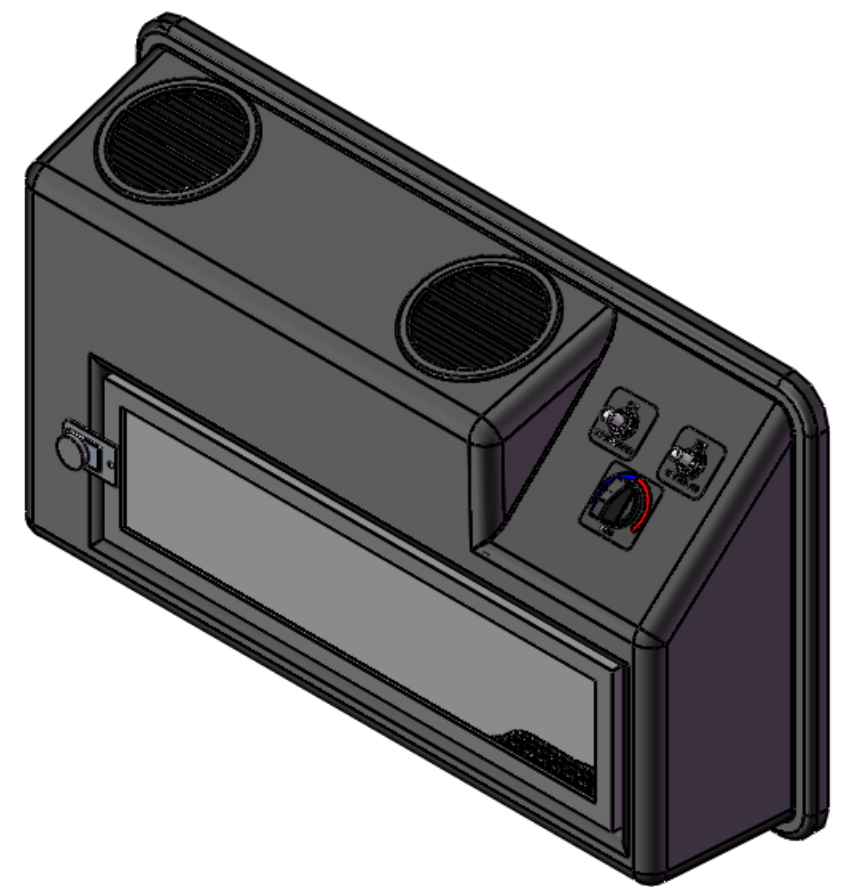


8 7 6 5 4 3 2 1

D
C
B
A

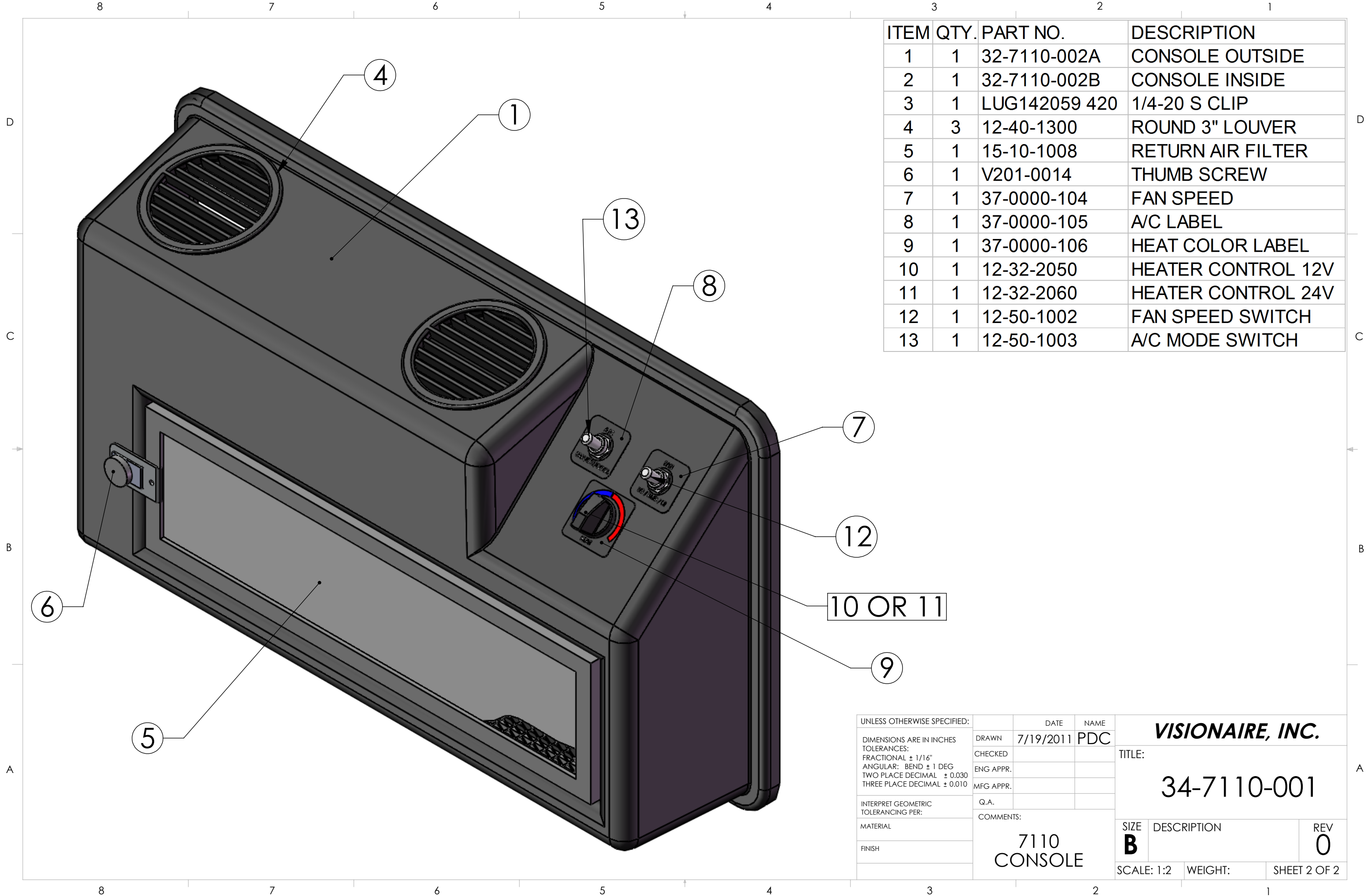


(19.98)



UNLESS OTHERWISE SPECIFIED:		DATE	NAME	VISIONAIRE, INC.	
DIMENSIONS ARE IN INCHES		7/19/2011	PDC		
TOLERANCES:		DRAWN		TITLE:	
FRACTIONAL ± 1/16"		CHECKED			
ANGULAR: BEND ± 1 DEG		ENG APPR.		34-7110-001	
TWO PLACE DECIMAL ± 0.030		MFG APPR.			
THREE PLACE DECIMAL ± 0.010		Q.A.		SIZE DESCRIPTION REV	
INTERPRET GEOMETRIC TOLERANCING PER:		COMMENTS:			
MATERIAL				B	
FINISH				0	
				SCALE: 1:4 WEIGHT: SHEET 1 OF 2	

8 7 6 5 4 3 2 1



ITEM	QTY.	PART NO.	DESCRIPTION
1	1	32-7110-002A	CONSOLE OUTSIDE
2	1	32-7110-002B	CONSOLE INSIDE
3	1	LUG142059 420	1/4-20 S CLIP
4	3	12-40-1300	ROUND 3" LOUVER
5	1	15-10-1008	RETURN AIR FILTER
6	1	V201-0014	THUMB SCREW
7	1	37-0000-104	FAN SPEED
8	1	37-0000-105	A/C LABEL
9	1	37-0000-106	HEAT COLOR LABEL
10	1	12-32-2050	HEATER CONTROL 12V
11	1	12-32-2060	HEATER CONTROL 24V
12	1	12-50-1002	FAN SPEED SWITCH
13	1	12-50-1003	A/C MODE SWITCH

UNLESS OTHERWISE SPECIFIED:		DATE	NAME	VISIONAIRE, INC.	
DIMENSIONS ARE IN INCHES		DRAWN	7/19/2011		PDC
TOLERANCES:		CHECKED		TITLE:	
FRACTIONAL ± 1/16"		ENG APPR.		34-7110-001	
ANGULAR: BEND ± 1 DEG		MFG APPR.			
TWO PLACE DECIMAL ± 0.030		Q.A.		SIZE	
THREE PLACE DECIMAL ± 0.010		COMMENTS:		B	
INTERPRET GEOMETRIC TOLERANCING PER:		7110 CONSOLE		DESCRIPTION	
MATERIAL					REV
FINISH					0
				SCALE: 1:2	
				WEIGHT:	
				SHEET 2 OF 2	