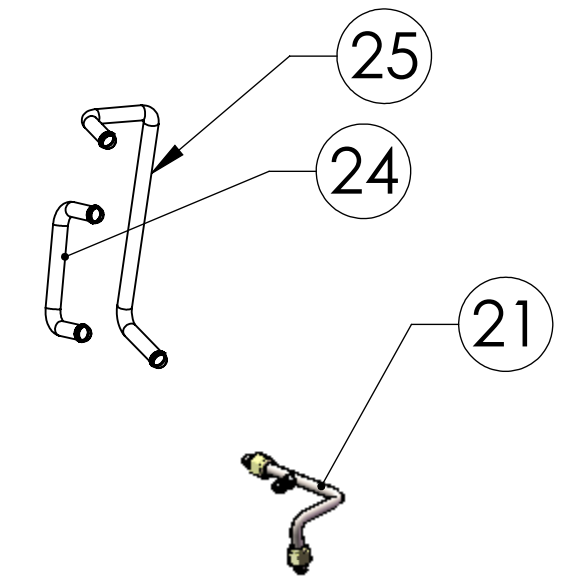


ITEM	PART #	DESCRIPTION
1	30-7110-000	MAIN HOUSING
2	30-7110-007	TOP
3	30-7110-008	FAN COVER
4	14-20-0045	BLOWER 12V
5	14-20-0046	BLOWER 24V
6	10-40-4010	EVAP / HEAT COIL
7	12-11-1000	TXV BLOCK VALVE
8	14-10-1410	CONDENSER FAN 12V
9	14-10-1411	CONDENSER FAN 24V
10	13-10-1005	DRIER
11	12-50-1002	FAN SWITCH
12	12-50-1003	MODE SWITCH
13	12-54-1001	THERMOSTAT
14	12-53-2001	RELAY 12V
15	12-53-4001	RELAY 24V
16	12-52-1030	BREAKER 30AMP 12V
17	12-50-1015	BREAKER 15AMP 24V
18	12-10-3000	BINARY PRESSURE SWITCH
19	41-1330-1242	DD COMP ASSY 12V
20	41-1330-2242	DD COMP ASSY 24V
21	35-7110-010	LIQUID TUBE (CON/DRIER)
22	35-7110-011	LIQUID TUBE (TXV/ DRIER)
23	35-7110-012	SUCTION TUBE
24	35-7110-013	HEATER INLET
25	35-7110-014	HEATER OUTLET
# 26	33-7100-001	WIRE HARNESS

NOTE SHOWN



MODEL 47-7110-10XX: 7110 SERIES A/C & HEAT 12V
MODEL 47-7110-20XX: 7110 SERIES A/C & HEAT 24V

VISIONAIRE, INC.
 MANUFACTURER AND DISTRIBUTOR OF HEATERS AND
 AIR CONDITIONERS FOR HEAVY EQUIPMENT

1502 109th STREET
 GRAND PRAIRE, TEXAS 75050
 972-647-1056 www.visionaire-inc.com

DRAWN	NAME	DATE	DOCUMENT NO: 90-7110-001
ENG APPR.	CNH	9/13/13	