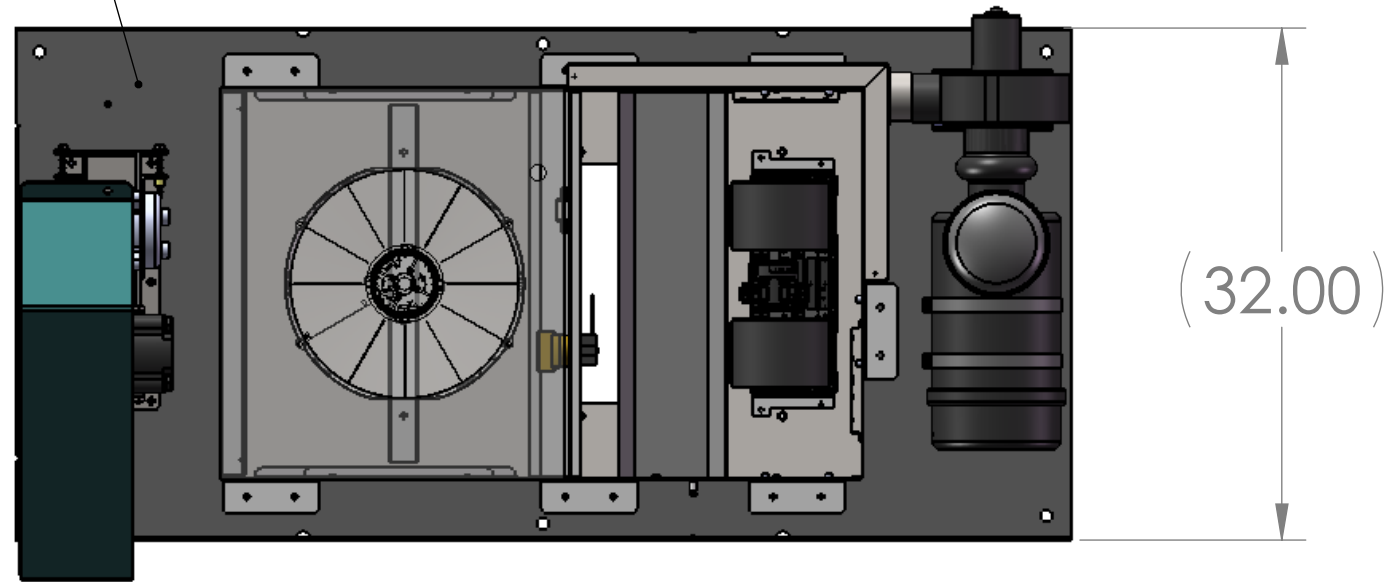
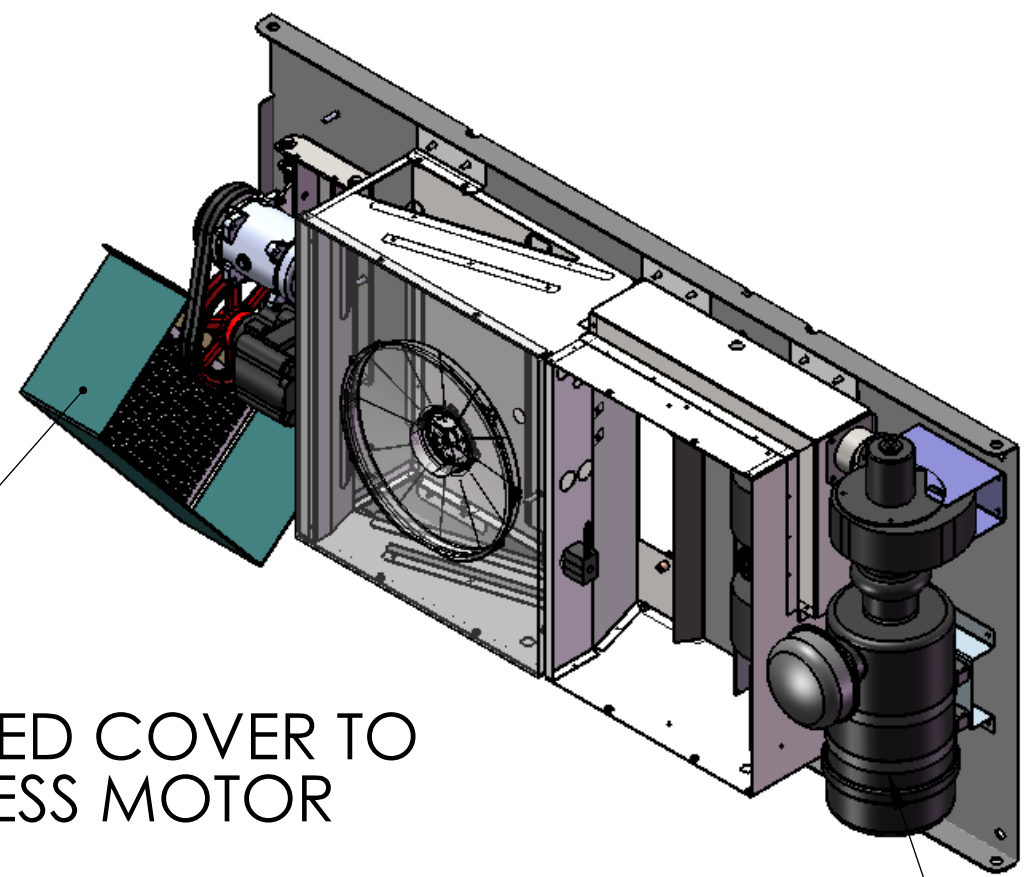


HEAVY DUTY 10 GA PLATE

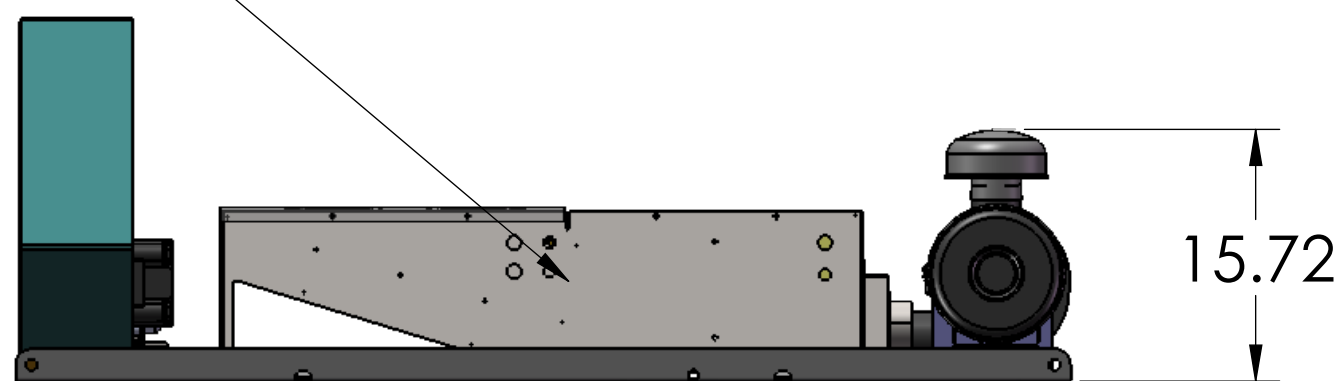


(32.00)

HINGED COVER TO ACCESS MOTOR

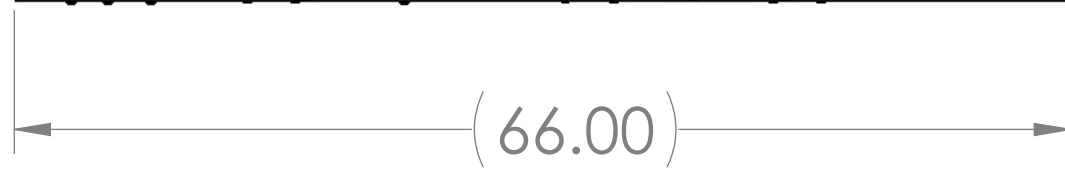


7070 A/C AND WITH HEATER COIL



15.72

DONALDSON FILTER



(66.00)

UNLESS OTHERWISE SPECIFIED:		DATE	NAME	VISIONAIRE, INC.
DIMENSIONS ARE IN INCHES TOLERANCES: FRACTIONAL ± 1/16" ANGULAR: BEND ± 1 DEG TWO PLACE DECIMAL ± 0.030 THREE PLACE DECIMAL ± 0.010		02/22/10	PDC	
INTERPRET GEOMETRIC TOLERANCING PER:	MATERIAL	COMMENTS:		47-7070-X220
	X			
FINISH	--	SIZE	DWG. NO.	REV
		B		0
		SCALE: 1:12	WEIGHT:	SHEET 1 OF 1