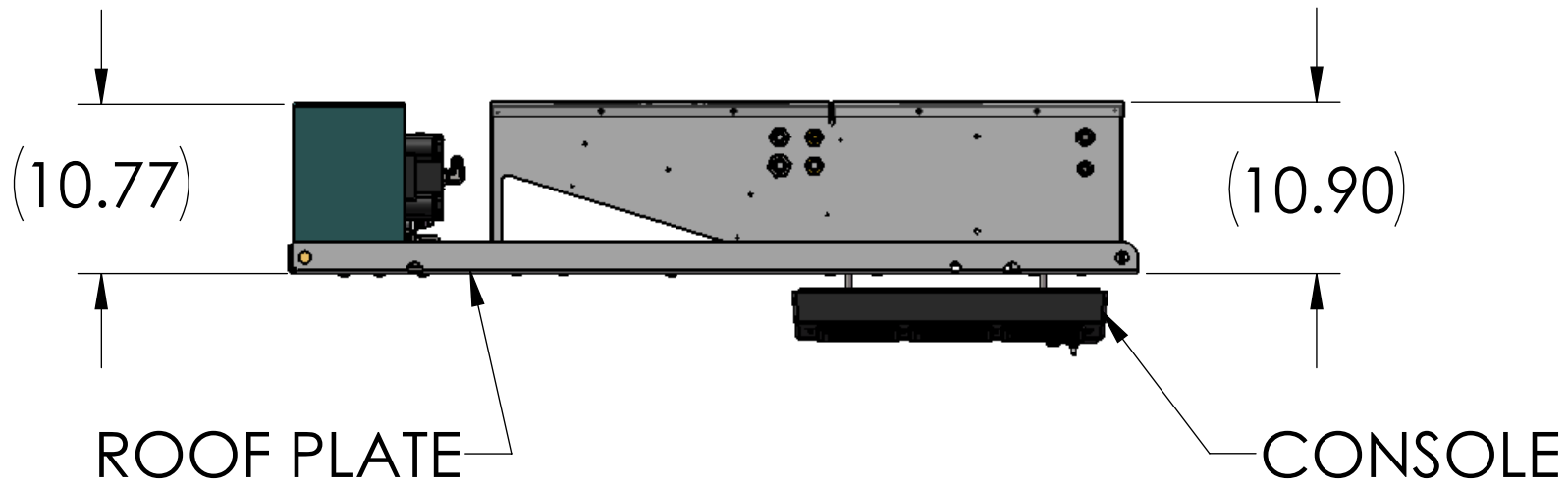
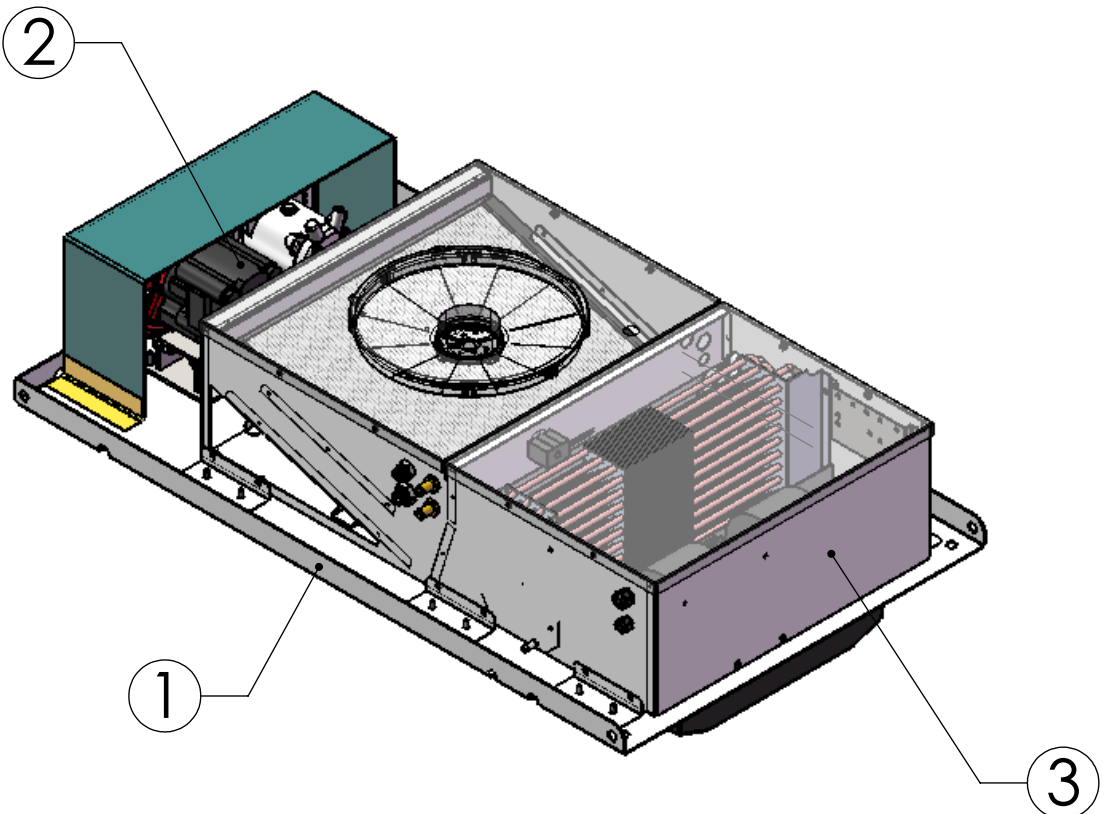
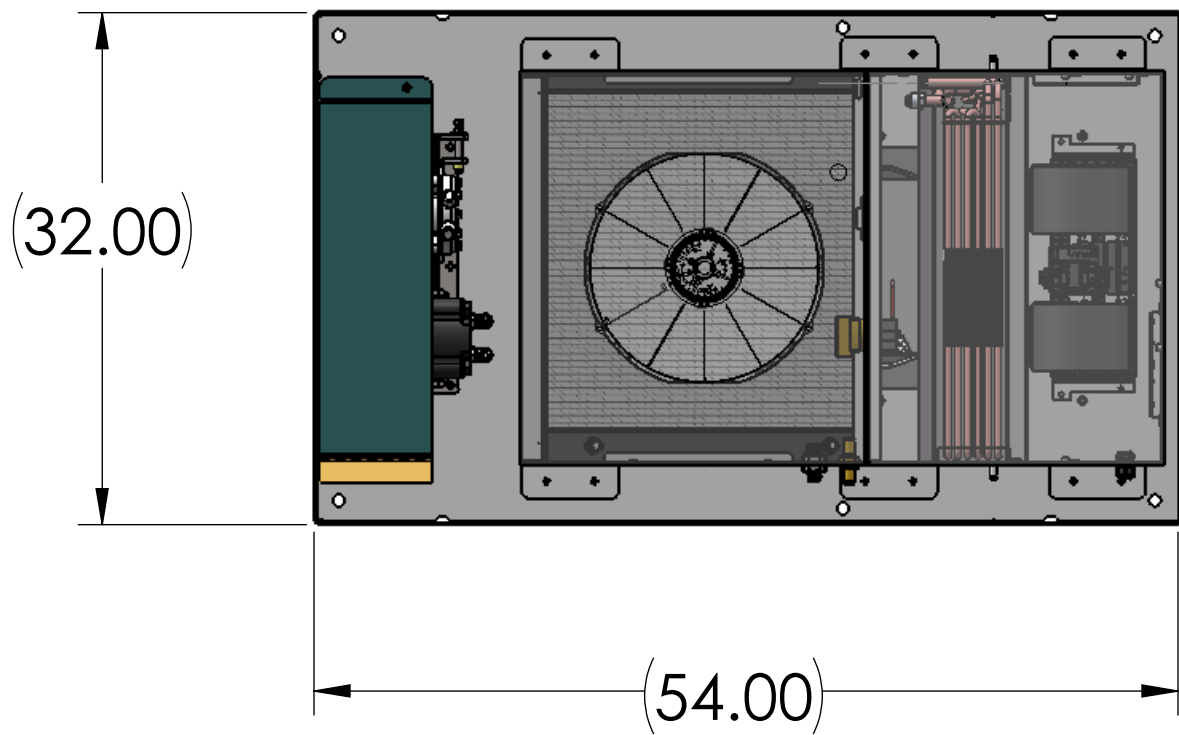


ITEM	QTY.	PART NO.	DESCRIPTION
1	1	30-7070-200	BELT DRIVE PLATE
2	1	41-1200-X10	BELT DRIVE 12 OR 24 VDC
3	1	47-7070-X090	7070 UNIT 12 OR 24 VDC



UNLESS OTHERWISE SPECIFIED:		DATE	NAME	VISIONAIRE, INC.
DIMENSIONS ARE IN INCHES TOLERANCES: FRACTIONAL ± 1/16" ANGULAR: BEND ± 1 DEG TWO PLACE DECIMAL ± 0.030 THREE PLACE DECIMAL ± 0.010		07/05/12	PDC	
INTERPRET GEOMETRIC TOLERANCING PER:	MATERIAL	FINISH	COMMENTS:	47-7070-X200
				SIZE DESCRIPTION REV
				B 7070 BD 0
				SCALE: 1:12 WEIGHT: SHEET 1 OF 2