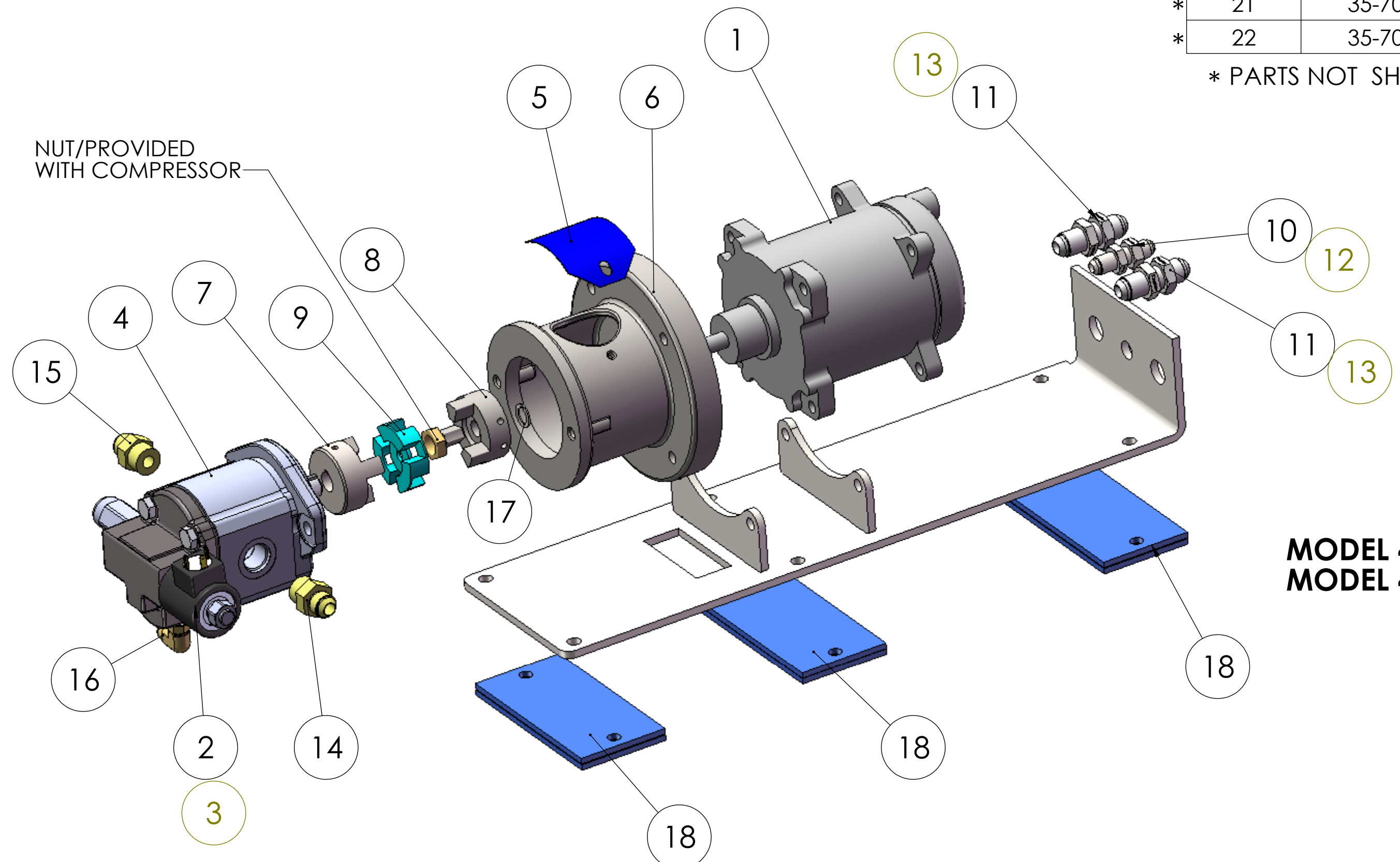


ITEM #	PART #	DESCRIPTION	QTY
1	11-10-0030	COMPRESSOR	1
2	12-20-4060	12 V COIL FOR HYD MOTOR	1
3	12-20-4061	24 V COIL FOR HYD MOTOR	1
4	14-80-0209	HYDRAULIC MOTOR	1
5	14-80-0101	BELL HOUSING COVER	1
6	14-81-0100	CAST BELL HOUSING	1
7	14-82-0100	MAG COUPLING - HYD MOTOR 5/8" SHAFT	1
8	14-82-0101	MAG COUPLING - SANDEN 5 CLY	1
9	14-82-0102	DD COUPLING INSERT	1
10	16-20-0306-6	#6 BULKHEAD LOCK NUT	1
11	16-20-0306-8	#8 BULKHEAD LOCK NUT	2
12	16-20-2700-06-06	#6 HYD. BULKHEAD	1
13	16-20-2700-08-08	#8 HYD. BULKHEAD	2
14	16-20-6400-08-10	HYDRAULIC FITTING	2
15	16-20-6400-08-12	HYDRAULIC FITTING	1
16	16-20-6801-6-4	HYDRAULIC FITTING 90 DEG	1
17	19-20-1001	ARBOR SPACER	1
18	31-1300-002	ISOLATOR PAD 3" X 6"	6
* 19	12-20-4900	HYDRA DIN CONNECTOR	1
* 20	35-7060-016	HOSE ASSEMBLY - HYD PRESSURE	1
* 21	35-7060-017	HOSE ASSEMBLY - HYD RETURN	1
* 22	35-7060-020	HOSE ASSEMBLY - HYD CASE DRAIN	1

* PARTS NOT SHOWN



MODEL 41-1312-1441: 1312 DIRECT DRIVE HYDRAULIC 12V
MODEL 41-1312-2441: 1312 DIRECT DRIVE HYDRAULIC 24V

VISIONAIRE, INC.
 MANUFACTURER AND DISTRIBUTOR OF HEATERS AND AIR CONDITIONERS FOR HEAVY EQUIPMENT

1502 109TH STREET
 GRAND PRAIRE, TEXAS 75050
 972-647-1056 www.visionaire-inc.com

DRAWN	NAME	DATE	DOCUMENT NO:
ENG APPR.	CNH	11/25/12	90-1312-001
	CNH	11/25/12	