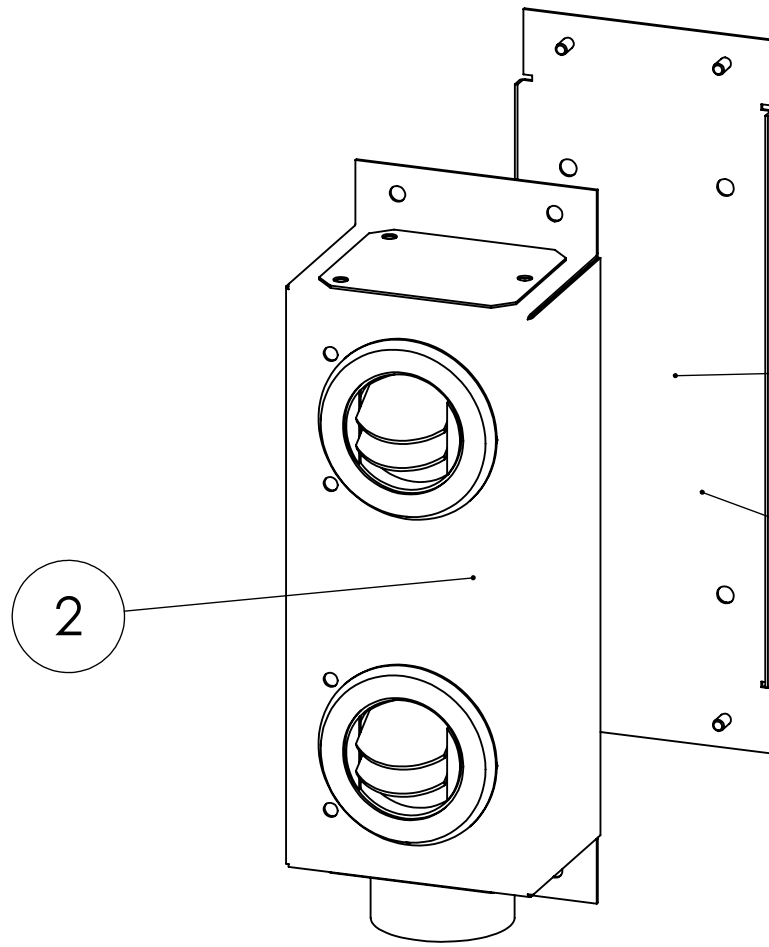
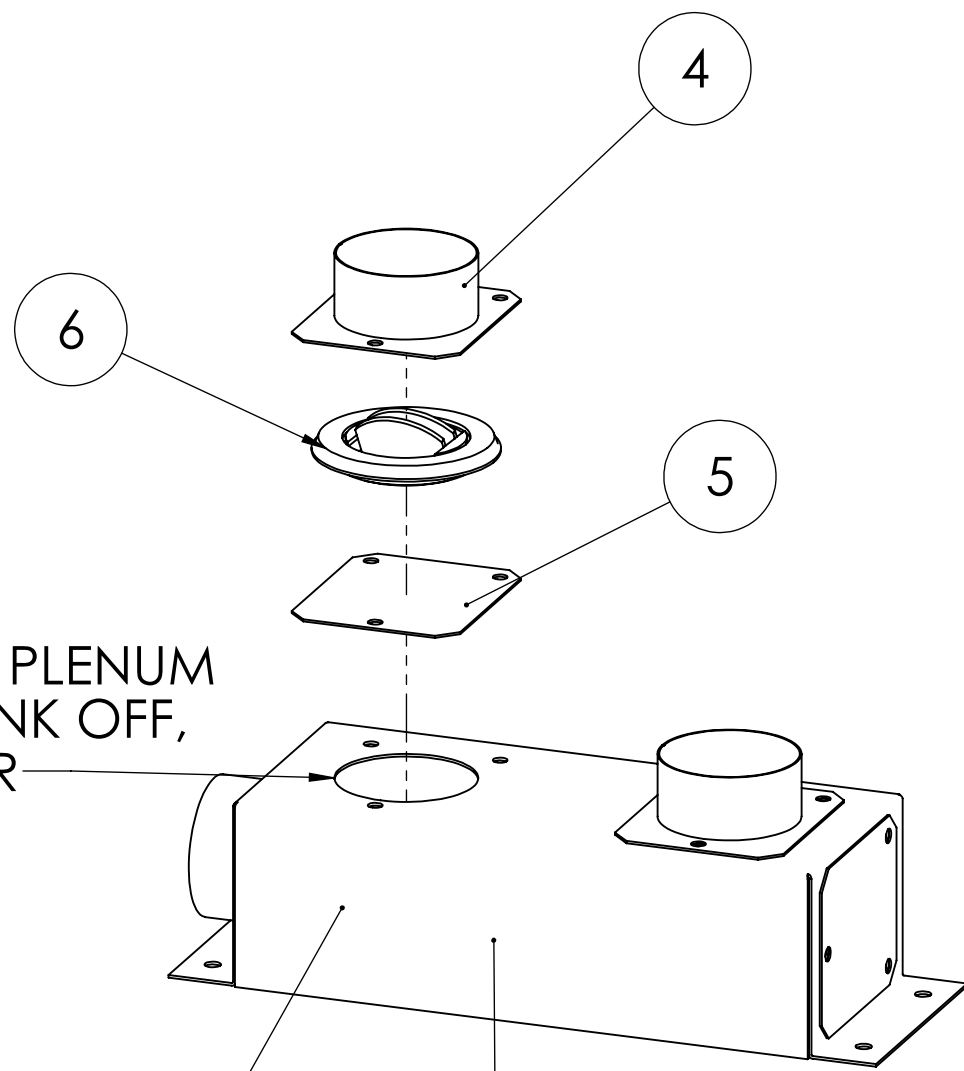
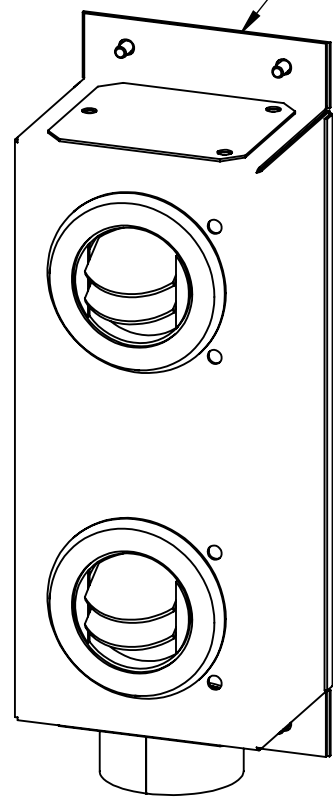


ITEM	QTY.	PART NO.	DESCRIPTION
1	1	30-4161-005	DRAIN COVER FLAT
2	3	30-4161-006	SHORT PLENUM BOX
3	2	30-4161-008	WALL MOUNT
4	6	16-40-1100G	3" HOSE RING GRAY
5	4	16-40-1102G	BLANK OFF COVER
6	5	12-40-1304	LOUVER AND BASE

TYPICAL WALL MOUNT ASSEMBLY



MOUNT TO SURFACE AND ATTACH PLENUM FOR REMOTE AIR DISCHARGE

EACH LARGE HOLE ON THE PLENUM COULD HAVE EITHER A BLANK OFF, LOUVER, OR HOSE ADAPTER

SMALLER PLENUM THAT COULD HAVE FOUR 3" HOSE ADAPTERS

NOT SHOWN: AN OPTIONAL SWITCH PLATE TO MOUNT THE CONTROLS IS AVAILABLE

FLAT DRAIN PAN ALLOWS FOR A LOWER PROFILE EVAPORATOR

USED TO ATTACH AN OPTIONAL PRESSURIZER

MODEL 44-4161-1000: 4161 A/C & HEAT 12V FLOOR/WALL MOUNT
MODEL 44-4161-2000: 4161 A/C & HEAT 24V FLOOR/WALL MOUNT

VISIONAIRE, INC.
 MANUFACTURER AND DISTRIBUTOR OF HEATERS AND AIR CONDITIONERS FOR HEAVY EQUIPMENT
 1502 109th STREET
 GRAND PRAIRE, TEXAS 75050
 972-647-1056 www.visionaire-inc.com

DRAWN	NAME	DATE	DOCUMENT NO:
ENG APPR.			90-4161-004