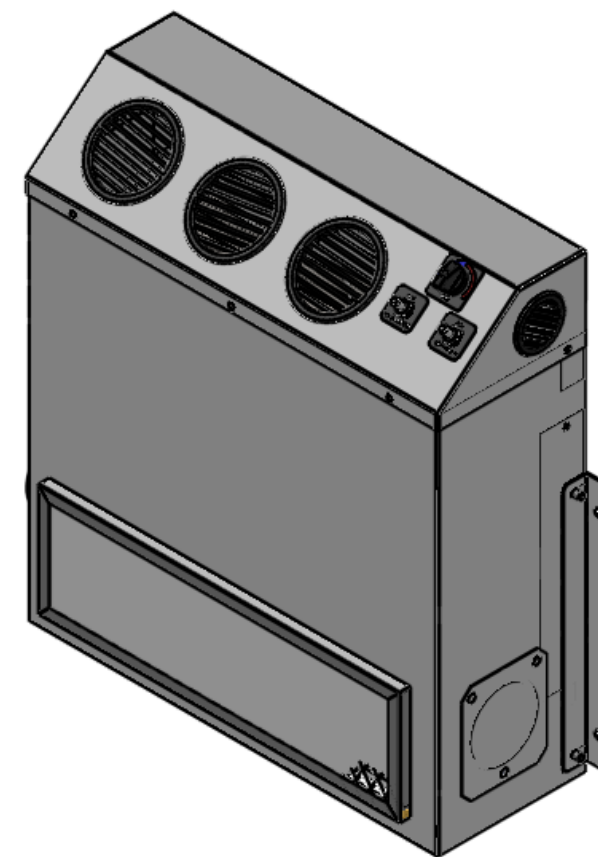
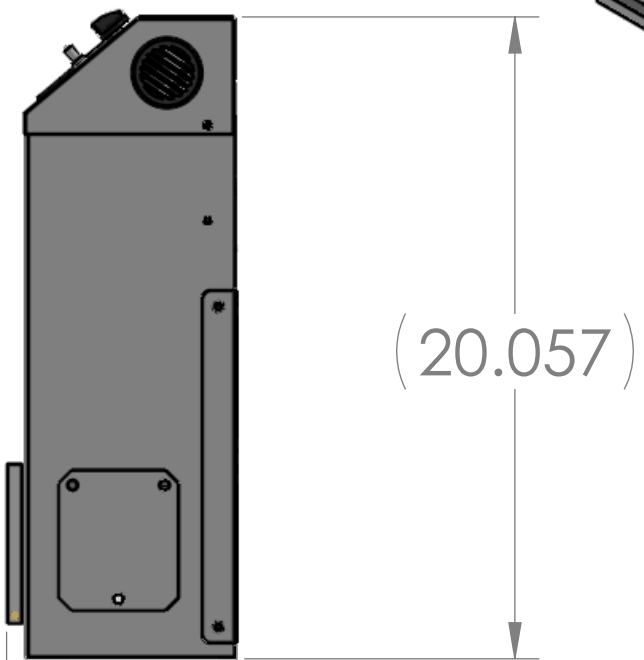
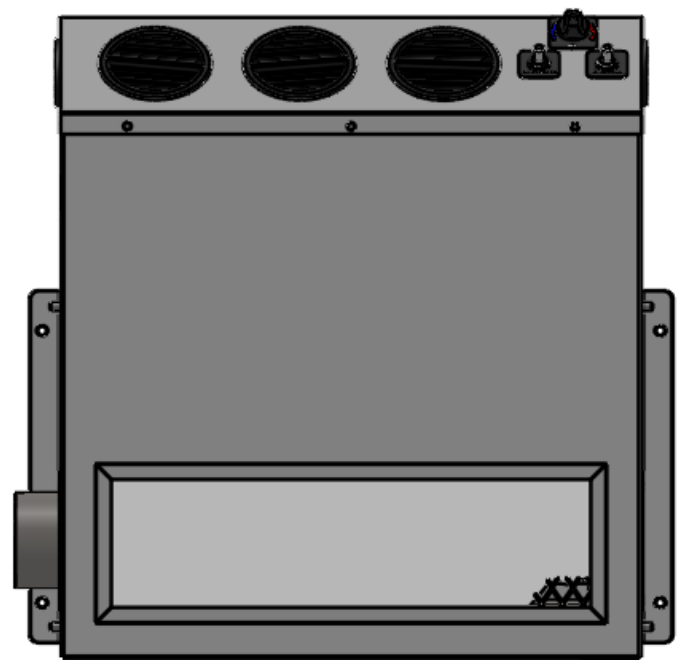
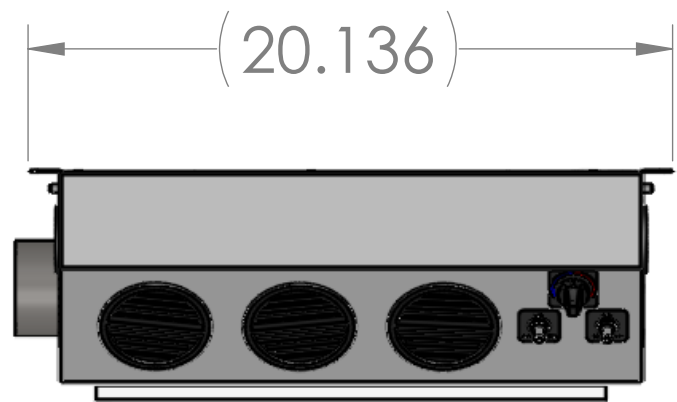


8 7 6 5 4 3 2 1



D
C
B
A

D
C
B
A

UNLESS OTHERWISE SPECIFIED:		DATE	NAME	VISIONAIRE, INC.
DIMENSIONS ARE IN INCHES		7/22/2010	PDC	
TOLERANCES:		DRAWN		TITLE:
FRACTIONAL ± 1/16"		CHECKED		44-4050-X000 EG
ANGULAR: BEND ± 1 DEG		ENG APPR.		SIZE DESCRIPTION REV
TWO PLACE DECIMAL ± 0.030		MFG APPR.		B AC/HEAT & PRESS 0
THREE PLACE DECIMAL ± 0.010		Q.A.		SCALE: 1:6 WEIGHT: SHEET 1 OF 1
INTERPRET GEOMETRIC TOLERANCING PER:		COMMENTS:		
MATERIAL				
FINISH				
SKY WHITE POWDER				
UWS8C0017 OR EQUIV.				

8 7 6 5 4 3 2 1