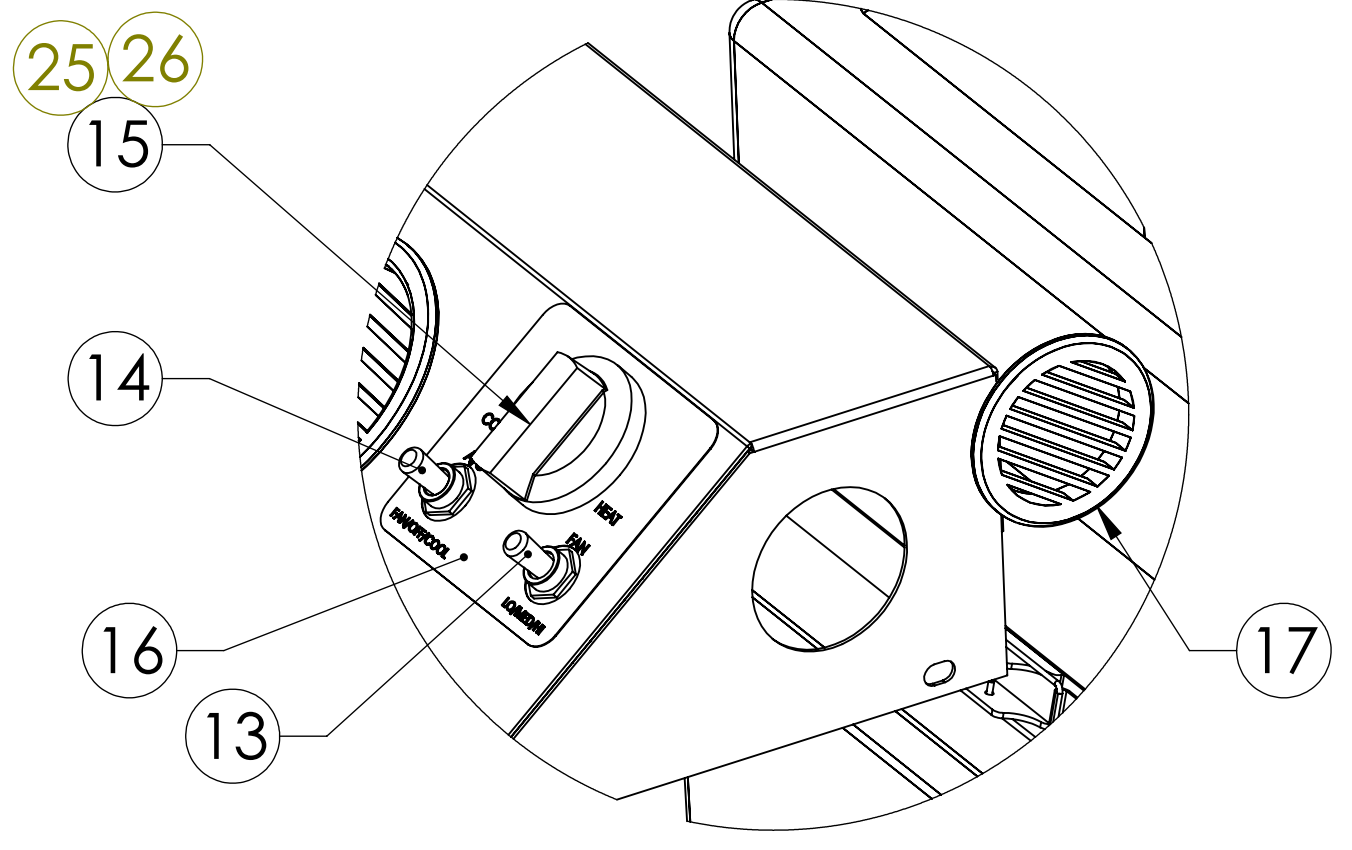


ITEM	PART#	DESCRIPTION	QTY
1	30-4050-001	MOUNTING ASSEMBLY	1
2	30-4050-004	BRACKET-BLOWER RETAINER	2
3	30-4050-007	DRAIN PAN STRAP ASSY	1
4	10-20-4050	EVAPORATOR COIL	1
5	10-30-4050	HEATER COIL	1
6	12-11-1000	EXPANSION VALVE	1
7	12-54-1001	THERMOSTAT 24"	1
8	14-20-0042	BLOWER 12VDC	1
9	14-20-0043	BLOWER 24VDC	1
10	32-4050-001	PLASTIC DRAIN PAN ASSY	1
11	12-40-1300	ROUND LOUVER 3"	3
12	12-31-0002	WATER VALVE	1
DETAIL A			
13	12-50-1002	FAN SPEED SWITCH	1
14	12-50-1003	A/C MODE SWITCH	1
15	12-51-2007	KNOB - TEMPERATURE	1
16	37-0000-111	SWITCH PLATE - 4050	1
17	12-40-1320	ROUND LOUVER 2"	2
OUTSIDE METAL PARTS			
18	15-10-1011	RETURN AIR FILTER	1
19	30-4050-015	MOUNTING BRACKETS- WHITE	2
20	30-4050-017	COVER BOTTOM A/C & HEAT	1
21	30-4050-020	LOUVER/SWITCH COVER TOP	1
22	16-40-1102W	PRESSURIZER COVER	1
23	30-4050-025	FILTER HOLDER	1
OPTIONAL			
24	16-40-1100 W	PRESSURIZER INLET 3"	1
PARTS NOT SHOWN			
25	12-31-1051	51" TURNBUCKLE CABLE	1
26	12-31-1069	MODIFIED DETENT ACTUATOR	1



DETAIL A
SCALE 1 : 2

MODEL 44-4050-1100 : 4050 A/C & HEAT, CEILING / WALL MOUNT 12 VOLT W/ METAL COVER
MODEL 44-4050-2100 : 4050 A/C & HEAT, CEILING / WALL MOUNT 24 VOLT W/ METAL COVER

VISIONAIRE, INC.
 MANUFACTURER AND DISTRIBUTOR OF HEATERS AND AIR CONDITIONERS FOR HEAVY EQUIPMENT

1502 109TH STREET
 GRAND PRAIRE, TEXAS 75050
 972-647-1056 www.visionaire-inc.com

DRAWN	NAME	DATE	DOCUMENT NO:
ENG APPR.	MS	01/21/13	90-4050-006
	CNH	01/22/13	