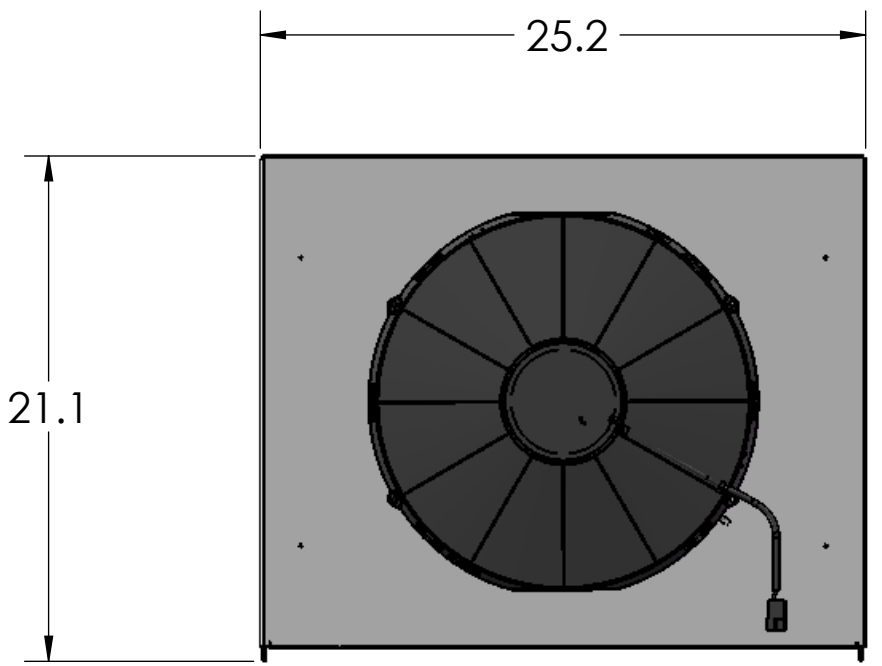
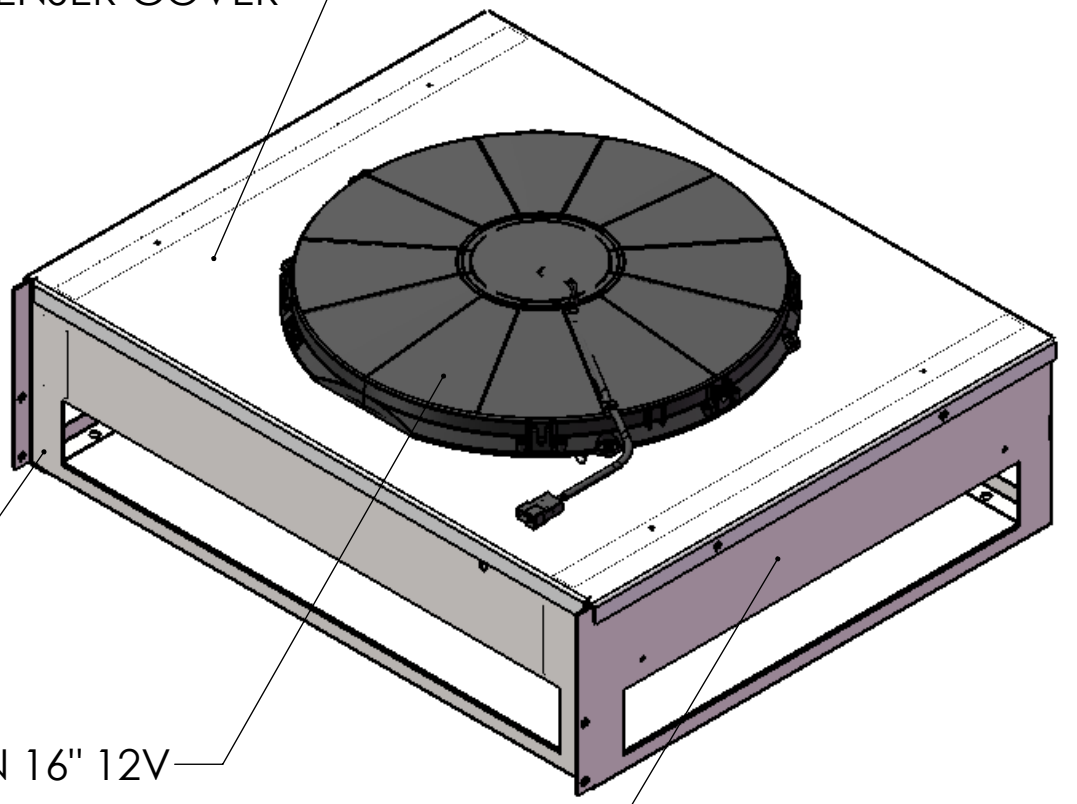


8 7 6 5 4 3 2 1

D
C
B
A



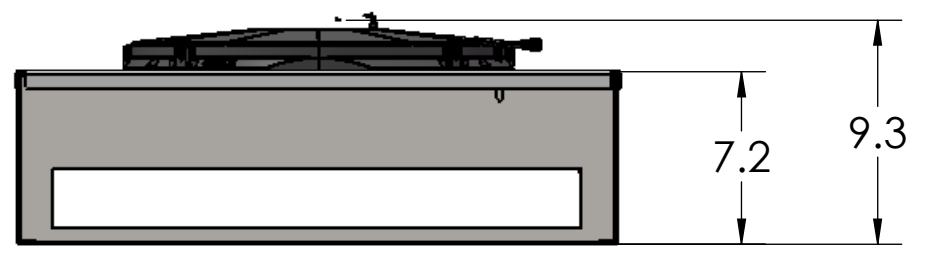
30-7160-008 CONDENSER COVER



30-7160-002 CONDENSER HOUSING

14-10-1610 CONDENSER FAN 16" 12V

10-10-7070 CONDENSER
(INSIDE NOT SHOWN)



A

8 7 6 5 4 3 2 1

	NAME	DATE	VISIONAIRE, INC. TITLE: MODEL 3060 CONDENSER 12V
DRAWN	CNH	6/11/13	
CHECKED			
ENG APPR.	CNH	6/11/13	
MFG APPR.			
Q.A.			
PROPRIETARY AND CONFIDENTIAL THE INFORMATION CONTAINED IN THIS DRAWING IS THE SOLE PROPERTY OF VISIONAIRE, INC. ANY REPRODUCTION IN PART OR AS A WHOLE WITHOUT THE WRITTEN PERMISSION OF VISIONAIRE, INC., IS PROHIBITED.			SIZE B
DWG. NO. 43-3060-1000		REV	SCALE: 1:8
SHEET 1 OF 1			SHEET 1 OF 1