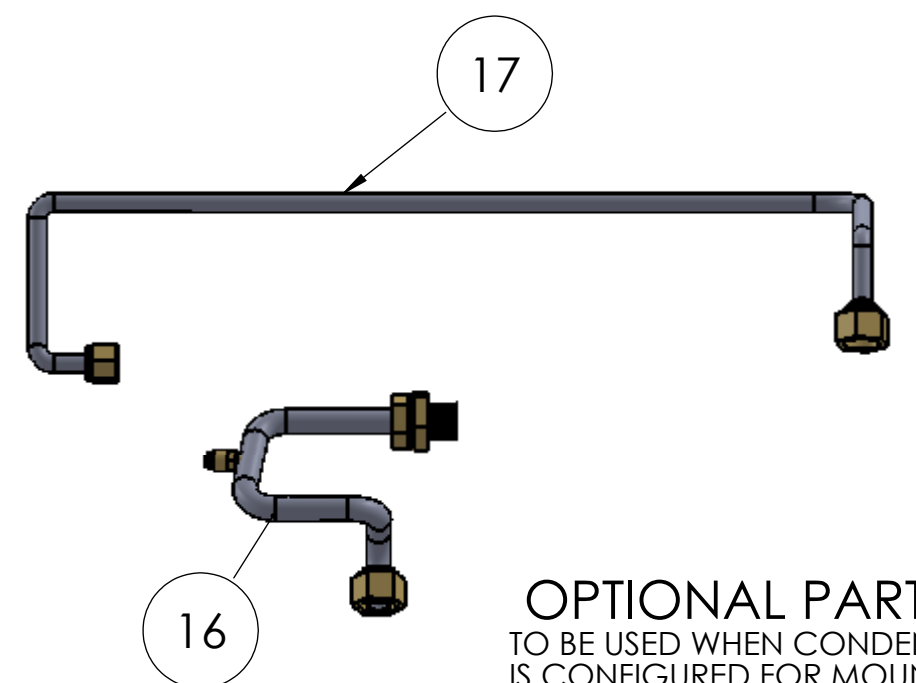
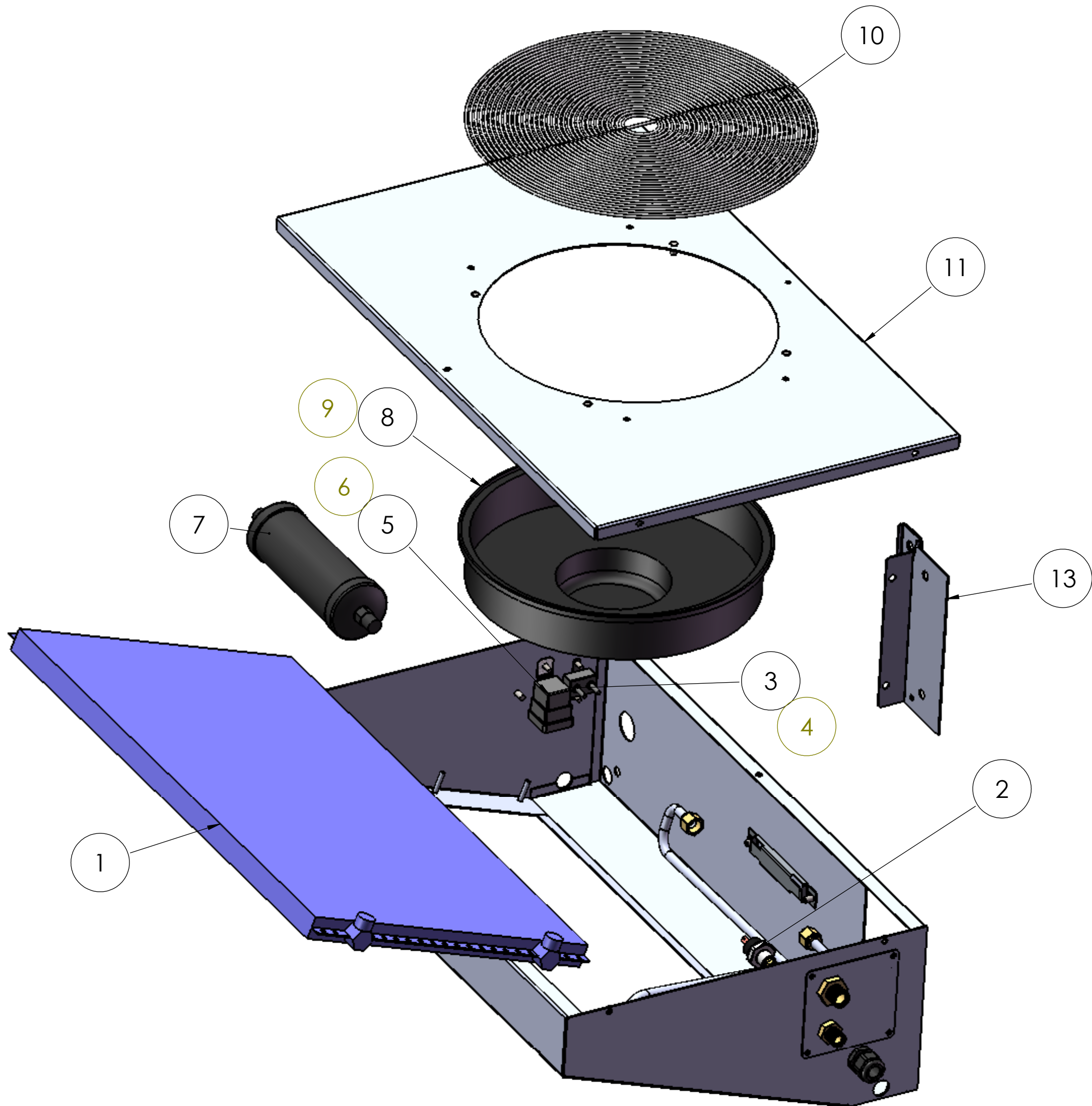


PARTS BREAK DOWN - 43-3030-XXX CONDENSER

	VISIONAIRE PART #	DESCRIPTION	QTY	
	1	10-10-3030	26mm MF COND ASSY 14" x 25.75	1
	2	12-10-3000	BINARY SWITCH	1
	3	12-52-1015	CIRCUIT BREAKER 15AMP	1
	4	12-52-1030	CIRCUIT BREAKER 30AMP	1
	5	12-53-2003	RELAY 12V WP W/RESISTOR	1
	6	12-53-4003	RELAY 24V WP W/RESISTOR	1
	7	13-10-1005	DRIER	1
	8	14-10-1220	FAN 12" HP 12V	1
	9	14-10-1221	FAN 12" HP 24V	1
	10	14-90-1001	FAN GUARD - 14.4" 7070	1
	11	30-3030-001	TOP COND - 3030	1
	12	30-3030-003	RT COND MTG BRACKET	1
	13	30-3030-004	LT COND MTG BRACKET	1
#	14	33-7060-003	WIRE HARNESS CONDENSER - 7	1
#	15	35-3030-001	TUBE BULK HEAD-DRIER ASSY	1
	16	35-3030-002	TUBE, DISCHARGE 3030	1
	17	35-3030-003	TUBE, LIQUID DRIER / COIL 3030	1
#	18	35-7060-004	TUBE COND-DRIER ASSY	1
#	19	35-7060-006	TUBE COND-BULKHEAD ASSY	1

DENOTES NOT SHOWN



MODEL 43-3030-1112: 3030 CONDENSER 12V
MODEL 43-3030-2112: 3030 CONDENSER 24V

VISIONAIRE, INC.
 MANUFACTURER AND DISTRIBUTOR OF HEATERS AND AIR CONDITIONERS FOR HEAVY EQUIPMENT
 1502 109TH STREET
 GRAND PRAIRE, TEXAS 75050
 972-647-1056 www.visionaire-inc.com

DRAWN	NAME	DATE	DOCUMENT NO:
ENG APPR.	MS	10/19/12	90-3030-01