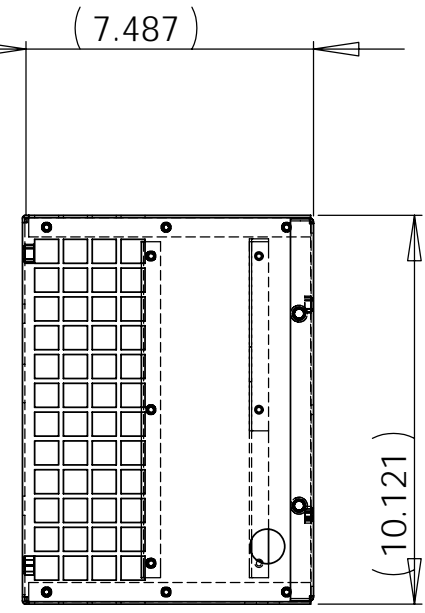
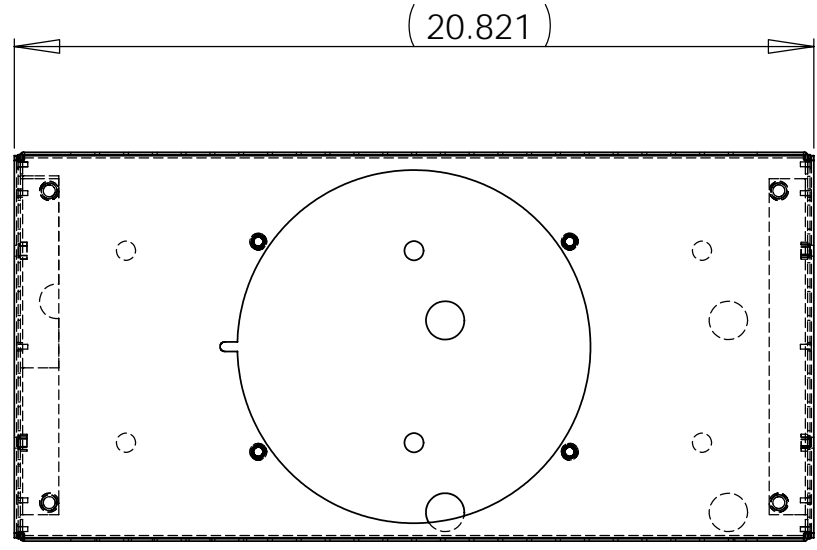
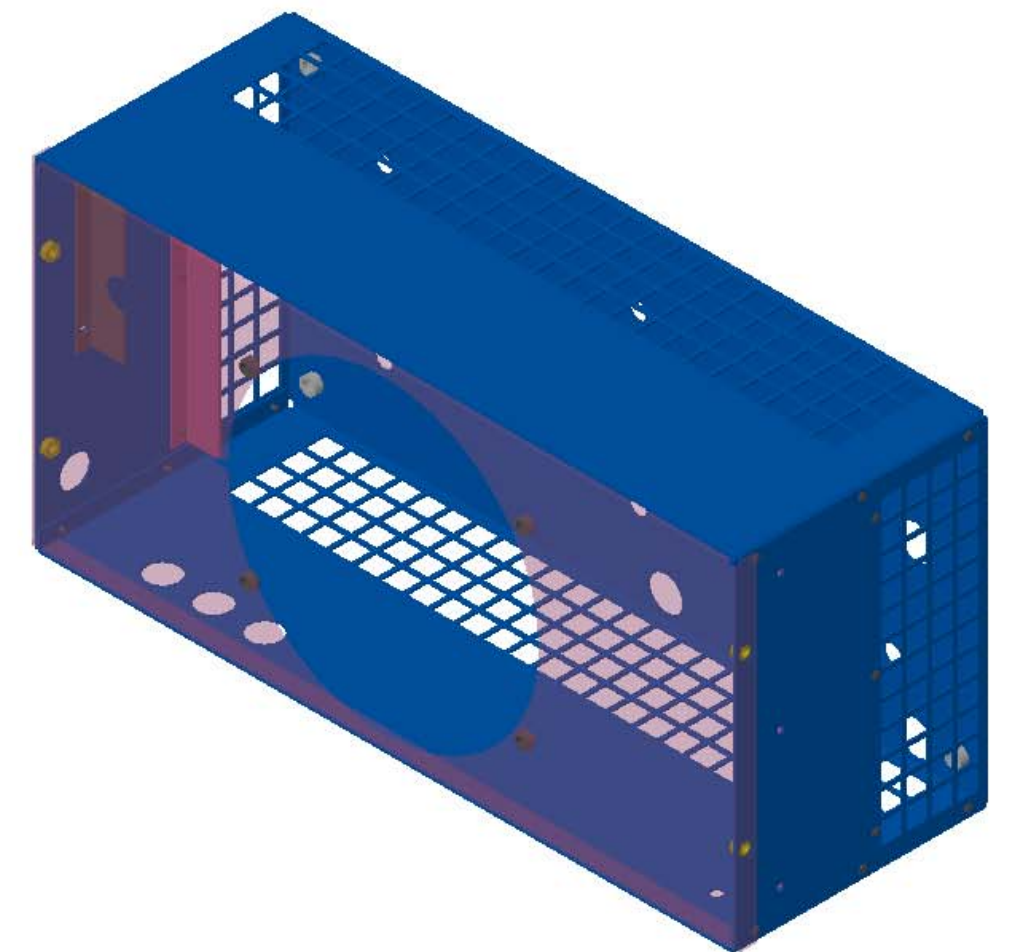
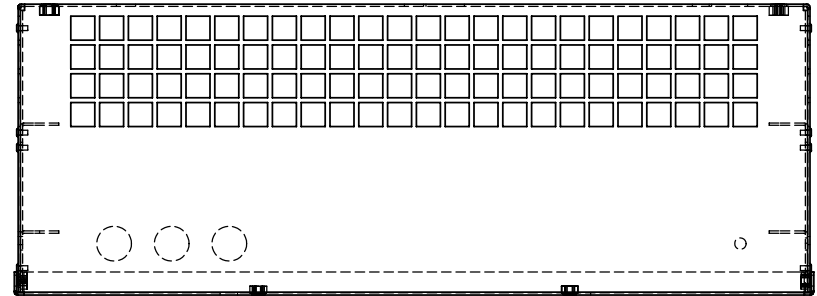


Paint Specifications		
PART NUMBER	COLOR	PAINT NUMBER
30-3000-000	SKY WHITE	UWS8-COO17
507-01-02-000	VISIONAIRE TAN	FT2005-234

ITEM NO.	QTY.	PART NO.	DESCRIPTION
1	1	30-3000-001	Cond Weldment
2	3	30-3000-003	Long Bracket
3	4	CLS-0518-1	5/16-18 SS
4	8	CLS-0420-1	1/4-20 SS
5	1	30-3000-004	Short Bracket
6	18	SD42BS	1/8 x .250 POP
7	1	30-3000-002	Condenser Lid



UNLESS OTHERWISE SPECIFIED:		DATE	NAME	VISIONAIRE, INC.
DIMENSIONS ARE IN INCHES TOLERANCES: FRACTIONAL ± 1/16" ANGULAR: BEND ± 1 DEG TWO PLACE DECIMAL ± 0.030 THREE PLACE DECIMAL ± 0.010		04/05/07	PDC	
INTERPRET GEOMETRIC TOLERANCING PER:	MATERIAL	DRAWN		TITLE:
X	FINISH	CHECKED		30-3000-000 & 507-01-02-000
--		ENG APPR.		SIZE
		MFG APPR.		B
		Q.A.		DWG. NO.
		COMMENTS:		REV
		CHECK PAINT SPECS		6
				SCALE: 1:5
				WEIGHT:
				SHEET 1 OF 1