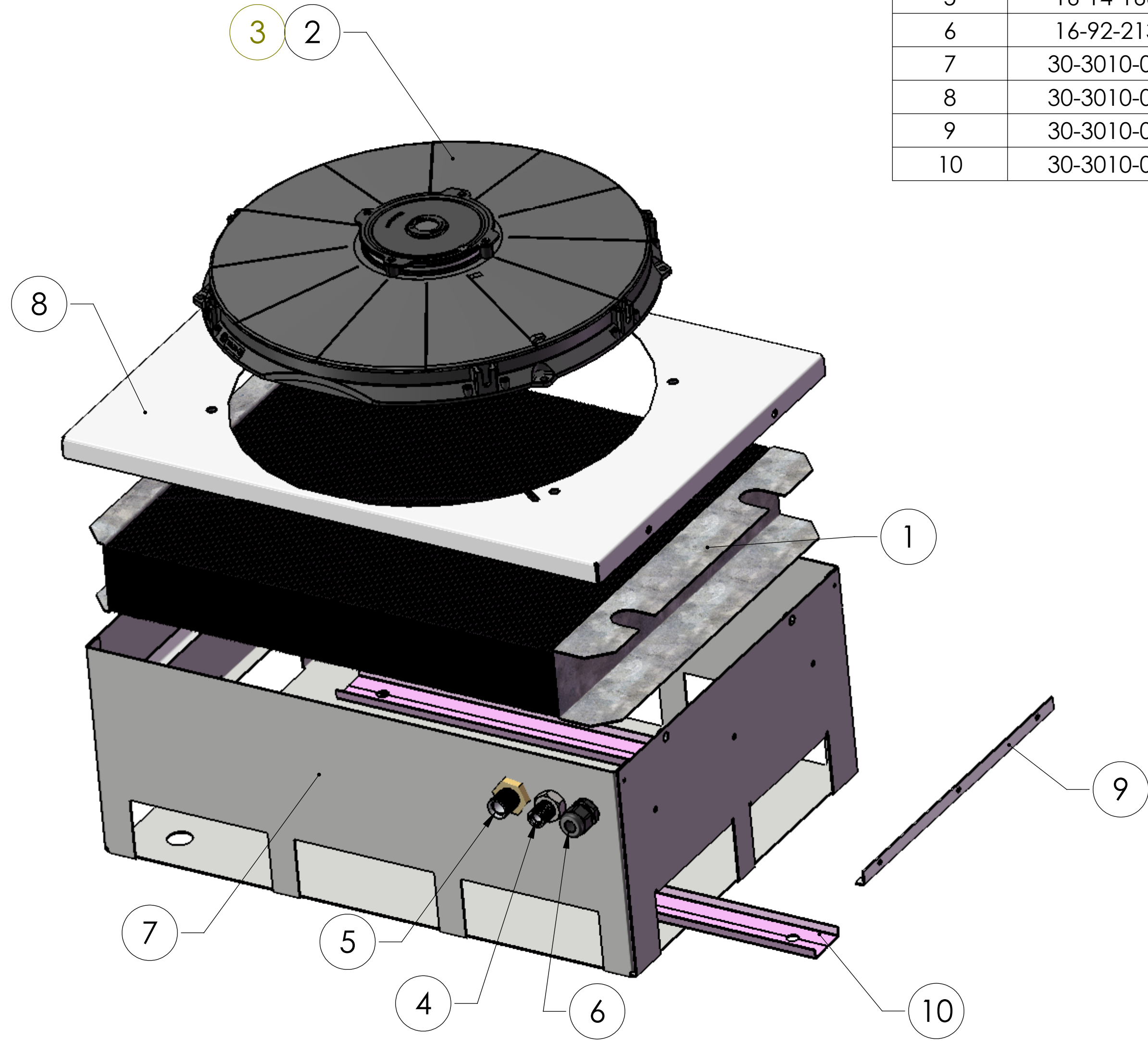


ITEM	PART NO.	DESCRIPTION	QTY
1	10-10-0060	CONDENSER COIL	1
2	14-10-1410	14" COND FAN 12VDC	1
3	14-10-1411	14" COND FAN 24VDC	1
4	16-14-1661	#6 REFRIGERANT BULKHEAD	1
5	16-14-1662	#8 REFRIGERANT BULKHEAD	1
6	16-92-2130	STRAIN RELIEF LIQUID TIGHT	1
7	30-3010-001	CONDENSER MAIN BOX	1
8	30-3010-002	CONDENSER FAN LID	1
9	30-3010-003	CONDENSER COIL BRACKET	2
10	30-3010-004	CONDENSER MOUNT BRACKET	2



MODEL 43-3010-1000: 3010 CONDENSER 12V
MODEL 43-3010-2000: 3010 CONDENSER 24V

VISIONAIRE, INC.
 MANUFACTURER AND DISTRIBUTOR OF HEATERS AND
 AIR CONDITIONERS FOR HEAVY EQUIPMENT

1502 109th STREET
 GRAND PRAIRE, TEXAS 75050
 972-647-1056 www.visionaire-inc.com

DRAWN	NAME	DATE	DOCUMENT NO:
ENG APPR.	MS	02/06/14	

90-3010-001