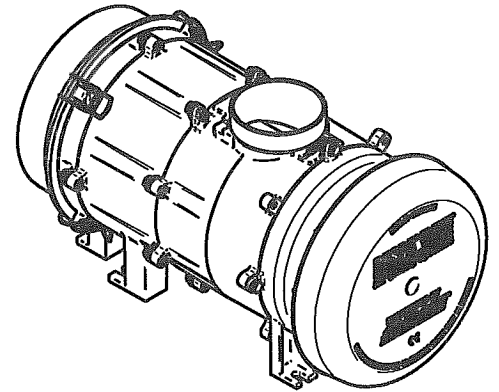
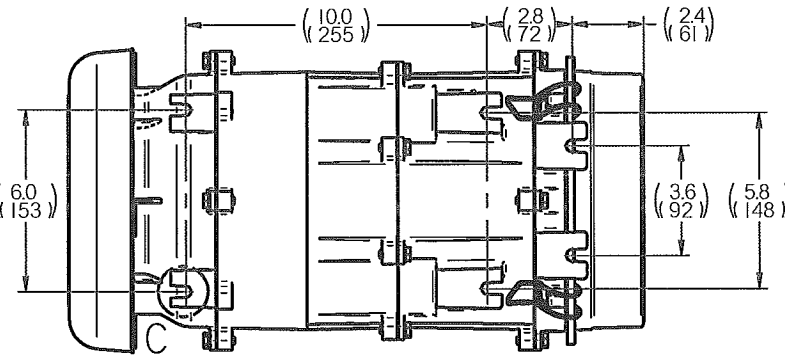
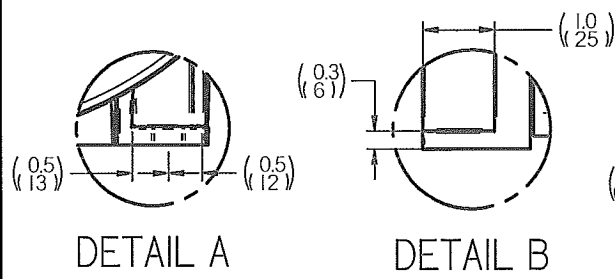
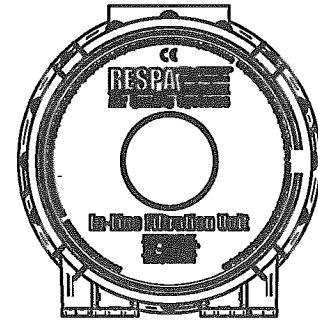
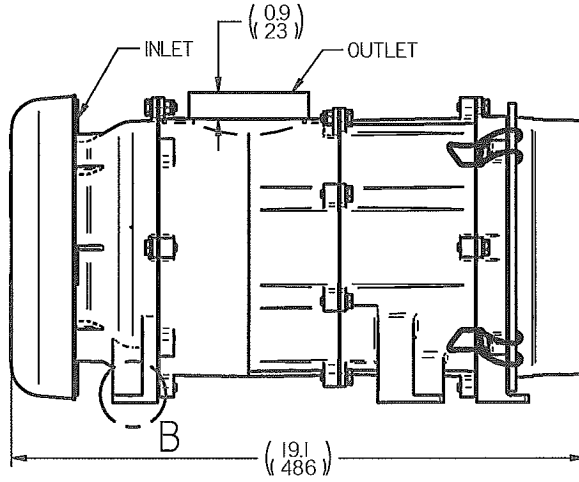
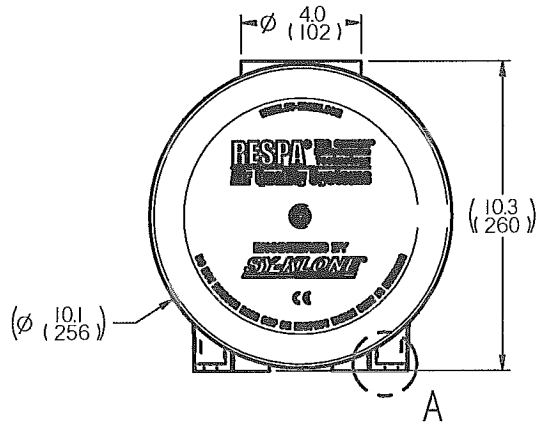
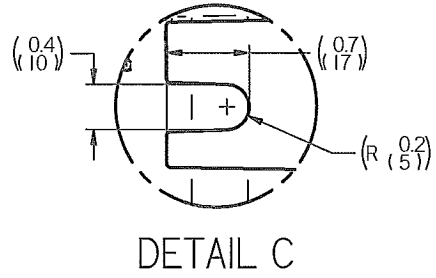


CUSTOMER SY-KLONE INTERNATIONAL  
 CUSTOMER PART NO R700011010011  
 NOTES:

DRW REV	DESCRIPTION OF CHANGE	REV BY	DATE	CHECKED BY	DATE
00	INITIAL RELEASE	JSB	12/16/11	ELE	12/16/11



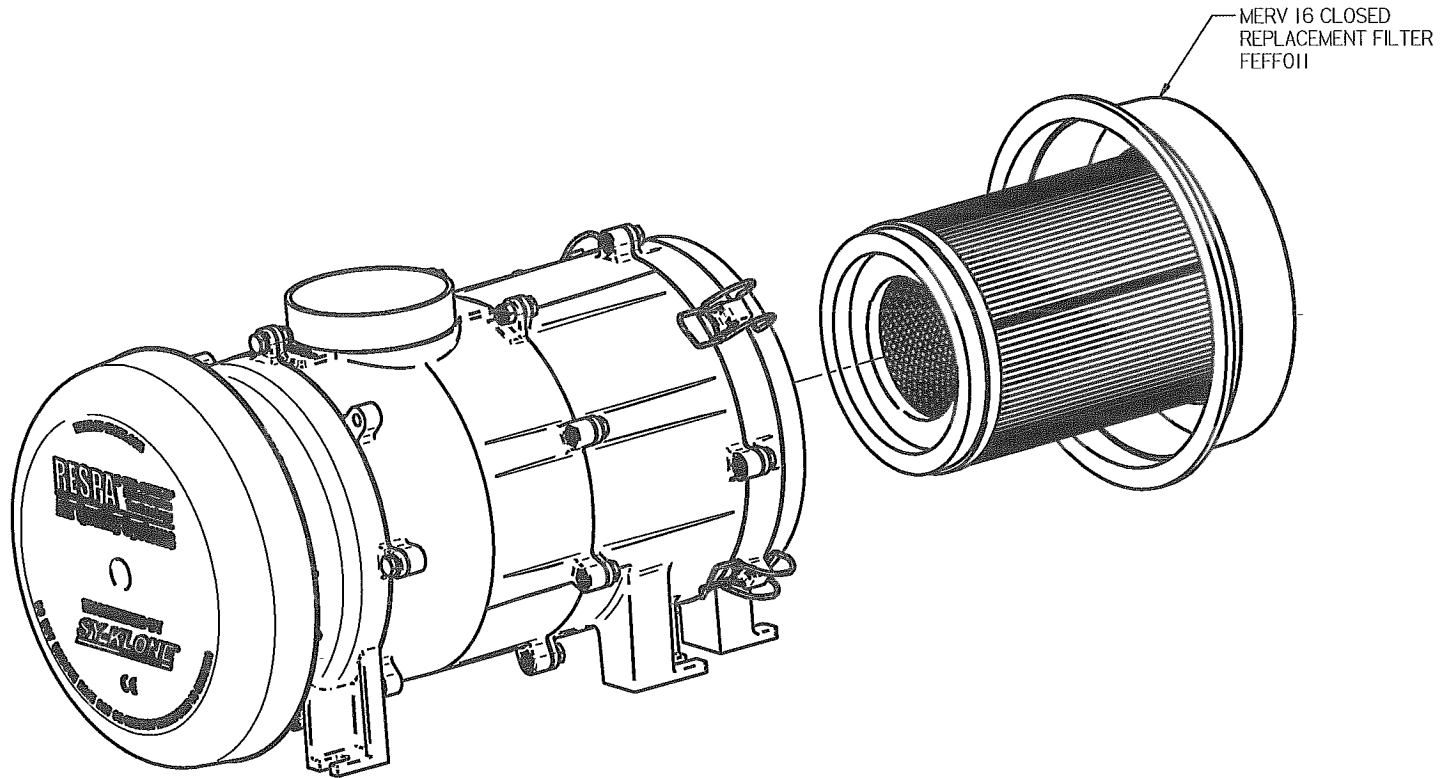
- NOTES:  
 1. WEIGHT: 6.5 LBS (3.0 KG)  
 2. MATERIAL: ENGINEERING POLYMER  
 3. FILTER REQUIRES APPROXIMATELY 6.25 INCHES (159 MM) OF CLEARANCE FOR REMOVAL.



UNLESS OTHERWISE SPECIFIED DIMENSIONS ARE IN INCHES		<b>SY-KLONE INTERNATIONAL</b>		DRIFT BY: JSB	DATE: 12/16/11		
DRAFT CONFORMS WITH: SY-KLONE/001		6593 POWERS AVE. SUITE 17 JACKSONVILLE, FL 32217 PHONE: 904-448-6563 WWW.SY-KLONE.COM		CHECKED BY: [Signature]	DATE: 12/15/11		
SY-KLONE/002 (THIS AKA TO)		THE INFORMATION HEREIN IS THE PROPERTY OF SY-KLONE INTERNATIONAL AND/OR ITS SUBSIDIARIES. ANY COPYING, TRANSMITTAL AND/OR ANY USE, EXCEPT THAT FOR WHICH IT IS LOANED, WITHOUT WRITTEN PERMISSION IS PROHIBITED. ALL RIGHTS RESERVED UNDER THE COPYRIGHT LAWS.		PART BY: JSB	DATE: 12/16/11		
DO NOT SCALE THIS DRAWING		EST WEIGHT: N/A		PART NO: R700011010011			
KEY PRODUCT CHARACTERISTICS: ▲ SAFETY/COMPLIANCE ◆ FIT/FUNCTION TOTAL ON DRAWING: 0		MATERIAL:		DESCRIPTION: RESPA FF			
DRAWING TYPE: SALES		PATENT NUMBERS: UNITED STATES: 6240593, 5656050, 5766315, 6078189 B2, 6319304 B1, 6339745 B1, 6405506 B1, 6425943 B1, 7056369 JAPAN: 2003-206 204A SWEDEN: 1 204 450 EUROPEAN UNION: EP 1 204 450 B1 GERMANY: 500 19 610 0 ITALY: 1 204 450		DRAWING NO: R700011010011_00_SYK_00.dft		GEOMETRY NO: R700011010011_00	
REF. DRAWING: 1211RE88		UNITED KINGDOM: 1 204 450		DRAWING REV: 00			

CUSTOMER SY-KLONE INTERNATIONAL  
 CUSTOMER PART NO. R700011010011  
 NOTES:

DRW REV	DESCRIPTION OF CHANGE	REV BY	DATE	CHECKED BY	DATE
00	INITIAL RELEASE	JSB	12/16/11	ELE	12/16/11



MERV 16 CLOSED  
 REPLACEMENT FILTER  
 FEFF011

FILTER REQUIRES APPROXIMATELY  
 6.25 INCHES (159 MM) OF CLEARANCE  
 FOR REMOVAL.

UNLESS OTHERWISE SPECIFIED DIMENSIONS ARE IN INCHES		<b>SY-KLONE</b> INTERNATIONAL		DRAFT BY JSB	DATE 12/16/11		
DRAFT CONFORMS WITH: SYKENSPEC001		6593 POWERS AVE., SUITE 17 JACKSONVILLE, FL 32217 PHONE: 904-448-8563 WWW.SY-KLONE.COM		CHECKED BY JR	DATE 12/15/11		
DO NOT SCALE THIS DRAWING		THE INFORMATION HEREIN IS THE PROPERTY OF SY-KLONE INTERNATIONAL AND/OR ITS SUBSIDIARIES. ANY COPYING, TRANSMITTAL AND/OR USE, EXCEPT THAT FOR WHICH IT IS LOANED, WITHOUT WRITTEN PERMISSION IS PROHIBITED. ALL RIGHTS RESERVED UNDER THE COPYRIGHT LAWS.		PART BY JSB	DATE 12/16/11		
KEY PRODUCT CHARACTERISTICS: ▲ SAFETY/COMPLIANCE ◊ FIT/FUNCTION TOTAL ON DRAWING: 0		ALL MACHINED SURFACES: 125		PART NO. R700011010011			
DRAWING TYPE: SALES		EST WEIGHT: N/A		DESCRIPTION RESPA FF			
REF DRAWING: 1211RE88		FINISH: N/A		DRAWING NO. R700011010011_00_SYK_00.dft			
		MATERIAL:		GEOMETRY NO. R700011010011_00			
		PATENT NUMBERS: UNITED STATES: 5240583, 5656050, 5766315, 6878189 B2, 6319304 B1, 6338745 B1, 6406506 B1, 6428943 B1, 7056388 JAPAN: 2003-506 204A SWEDEN: 1 204 450 EUROPEAN UNION: EP 1 204 450 B1 GERMANY: 600 19 810 0 ITALY: 1 204 450 UNITED KINGDOM: 1 204 450		GEOMETRY REV 00		SHEET 2 OF 2	SIZE B

Solid Edge