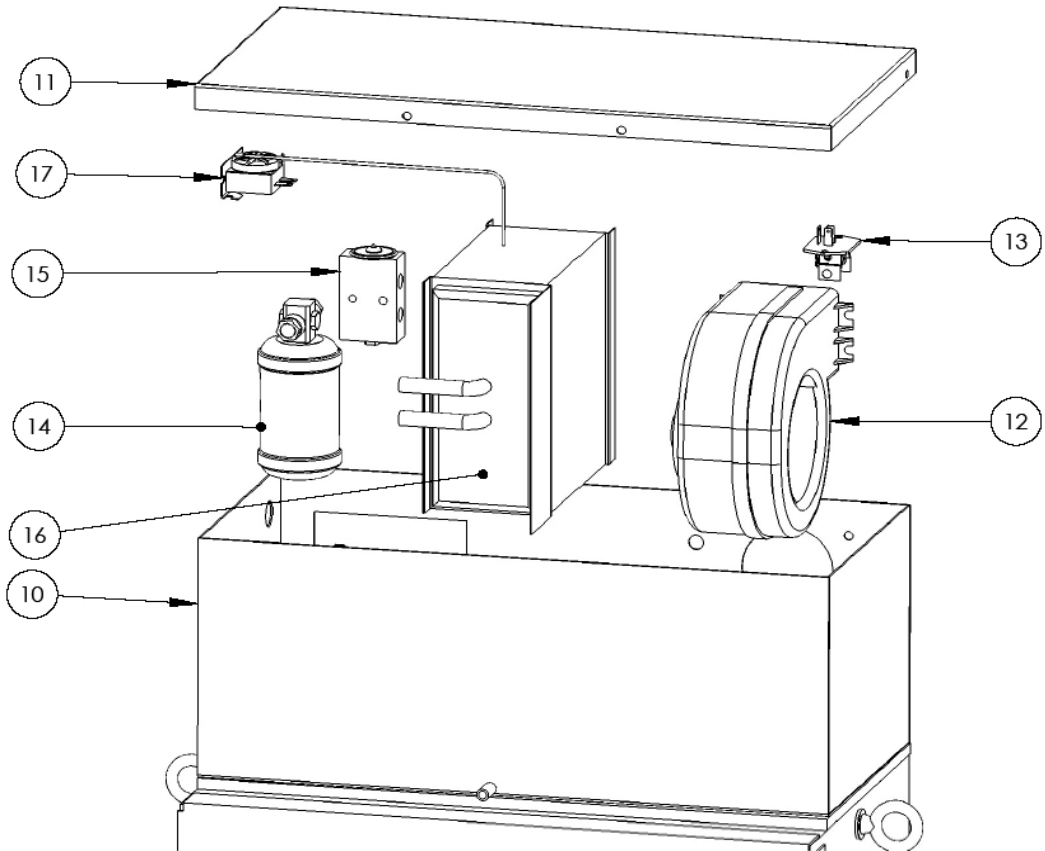


7100
EVAPORATOR SECTION



- | | | |
|-----|-------------|---------------------|
| 10. | 30-4100-001 | EVAPORATOR WELDMENT |
| 11. | 30-4100-002 | EVAPORATOR LID |
| 12. | 14-20-3013 | BLOWER |
| 13. | 12-55-0001 | RESISTOR |
| 14. | 13-10-1000 | DRIER |
| 15. | 12-11-1000 | EXPANSION VALVE |
| 16. | 10-20-4000 | EVAPORATOR COIL |
| 17. | 12-54-1001 | THERMOSTAT |

EVAPORATOR SECTION



507-01-03-01 WIRE HARNESS ASSBY



12-10-3000 PRESSURE SWITCH



12-53-2001 RELAY



12-52-1025 BREAKER



507-01-03-03 DRAIN TUBE



37-0000-104 FAN SPEED SWITCH LABEL



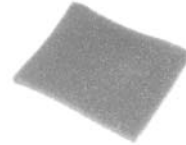
12-50-1002 FAN SPEED SWITCH



35-4000-002 DRIER /TXV TUBE



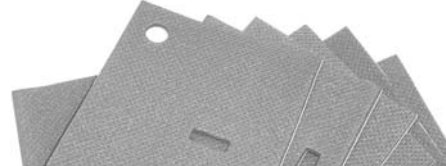
35-4100-002 TXV SUCTION TUBE



15-10-0050 RETURN AIR FILTER



31-7100-001 MOUNTING GASKET



31-4000-001 INSULATION KIT



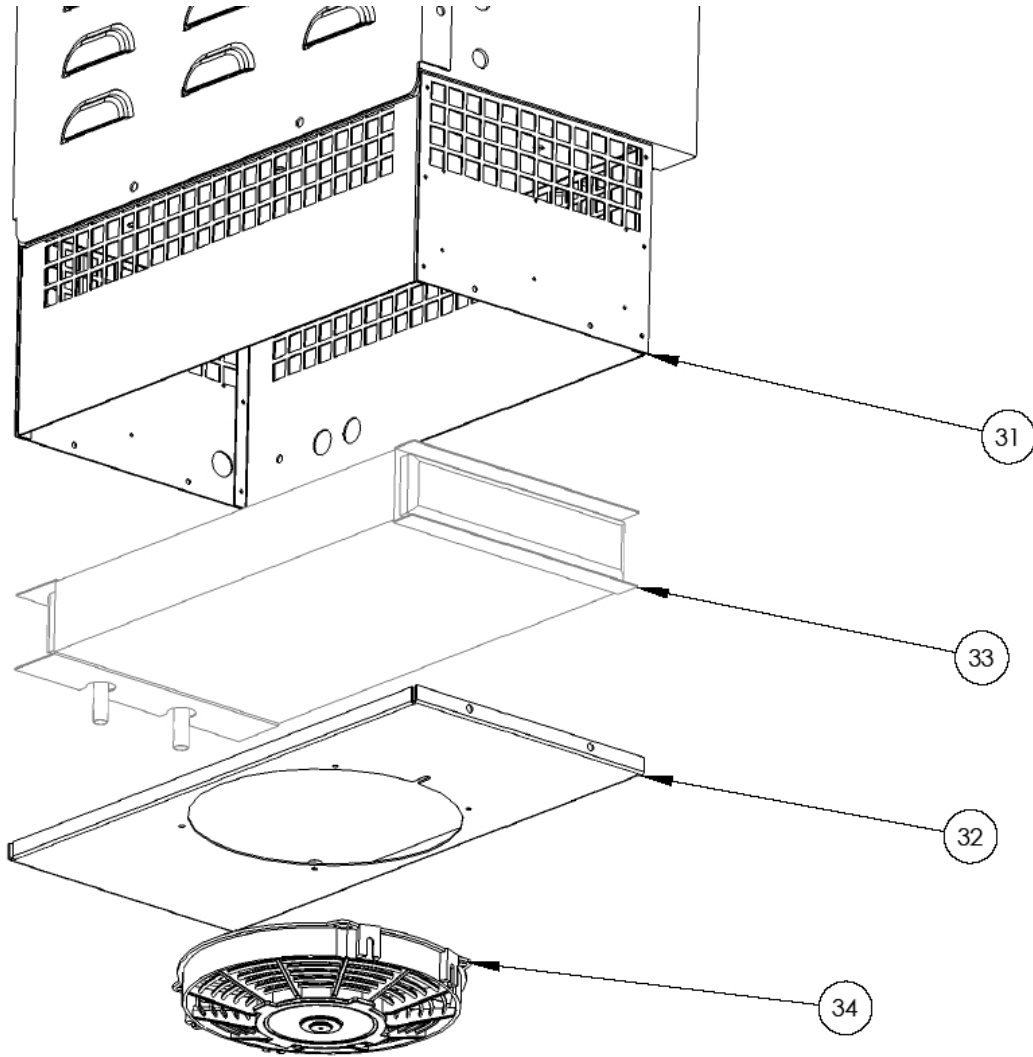
37-0000-105 MODE SWITCH LABEL



12-50-1003 MODE SWITCH

507-01-07A-00 EVAPORATOR HARDWARE KIT

CONDENSER SECTION



- | | | |
|-----|-------------|--------------------|
| 31. | 30-3000-001 | CONDENSER WELDMENT |
| 32. | 30-3000-002 | CONDENSER LID |
| 33. | 10-10-3000 | CONDENSER COIL |
| 34. | 14-10-0911 | CONDENSER FAN |