

**VISIONAIRE, INC.**

TITLE:

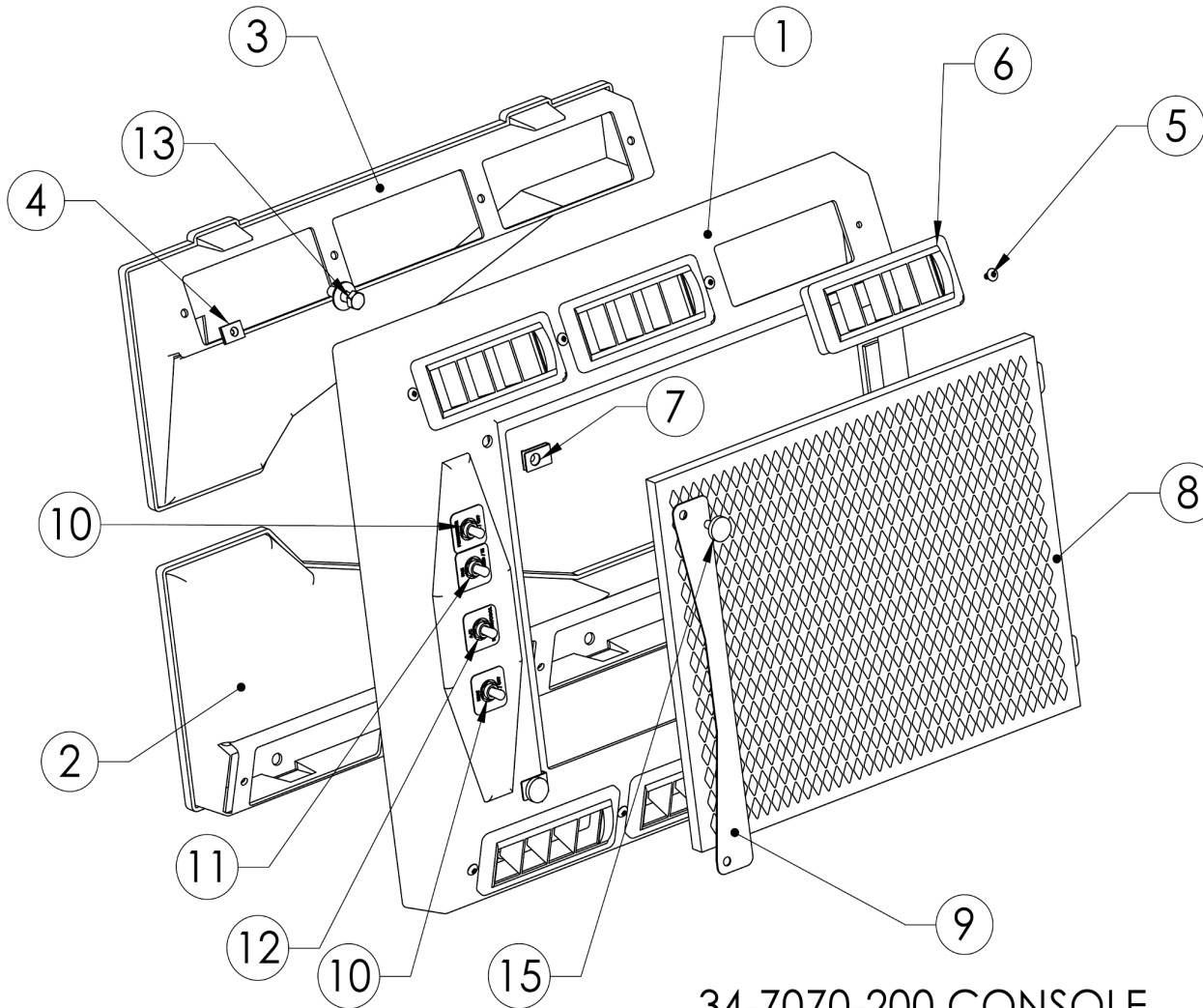
**47-7070-X090**

SIZE <b>B</b>	DWG. NO.	REV <b>1</b>
SCALE: 1:5	WEIGHT:	SHEET 1 OF 1

# 47-7070-1090 (12V)

ITEM	PART #	QTY	DESCRIPTION
1	10-10-7070	1	CONDENSER COIL – 7070
2	10-40-7070	1	EVAPORATOR COIL -7070
3	12-10-1001	1	HIGH PRESSURE SWITCH
4	12-10-2001	1	LOW PRESSURE SWITCH
5	12-11-1000	1	BLOCK EXPANSION VALVE
6	12-52-1015	1	CIRCUIT BREAKER – 15 AMP
7	12-52-1050	1	CIRCUIT BREAKER – 50 AMP
8	12-53-2001	3	RELAY 12 V
9	12-54-1001	1	THERMOSTAT – FIXED 24 IN
10	13-10-3000	1	DRIER – 7070
11	14-10-1420	1	PANCAKE FAN 14” 12V 7070
12	14-20-0020	1	BLOWER ASSEMBLY 12V 7070
13	14-90-1001	1	FAN GUARD – 14.4” 7070
14	30-7070-002	1	BLOWER BRACKET RT – 7070
15	30-7070-003	1	BLOWER BRACKET LF – 7070
16	30-7070-001	1	MAIN WELDMENT – 7070
17	30-7070-007	1	EVAPORATOR COVER – 7070
18	30-7070-008	1	CONDENSER COVER – 7070
19	30-7070-009S	2	COND BRACKET SHORT – 7070
20	30-7070-011	6-7	MOUNTING BRACKETS – 7070
21	30-7070-012	2	RELAY MOUNTING BRACKET
22	12-32-1003	1	ELEC WATER VALVE + COIL 12V
<b>PARTS NOT SHOW IN DRAWINGS</b>			
	31-7070-001	1	EVA GASKET
	31-7070-002	1	INSULATION KIT
	31-7070-003	1	BLOWER GASKET
	31-7070-004	1	GASKET EVAP/COND COVERS
	33-7070-001	1	WIRE HARNESS – 7070
	35-7070-001	1	DISCHARGE LINE W/ PORT
	35-7070-002	1	LIQUID LINE – COND/DRIER
	35-7070-003	1	LIQUID LINE – DRIER/EXP
	30-7070-004	1	SUCTION LINE

### 34-7070-200 CONSOLE



34-7070-200 CONSOLE

ITEM	QTY	PART NO.	DESCRIPTION
1	1	32-7070-101	7070 MAIN CONSOLE
2	1	32-7070-102	7070 CONSOLE LT
3	1	32-7070-103	7070 CONSOLE RT
4	8	36-0000-620	#8 U CLIP
5	8	36-0000-480	#8 X 1/2 BLK SMS
6	6	12-40-2010	Louver 5.25 X 2
7	2	36-0000-640	1/4-20 J CLIP
8	1	15-10-1010	7070 RETURN AIR FILTER
9	1	30-7070-050	FILTER RESTRAINT
10	2	12-50-1001	TOGGLE SWITCH
11	1	12-50-1002	FAN SPEED TOGGLE
12	1	12-50-1003	A/C MODE TOGGLE
13	4	HBOLT 0.3125-18x2.0	
14	4	Regular FW 0.3125	
15	2	V201-0014	THUMB SCREW
16	1	37-0000-105	A/C LABEL
17	1	37-0000-104	FAN SPEED
18	1	37-0000-103	PRESSURIZER LABEL
19	1	37-0000-107	HEAT LABEL