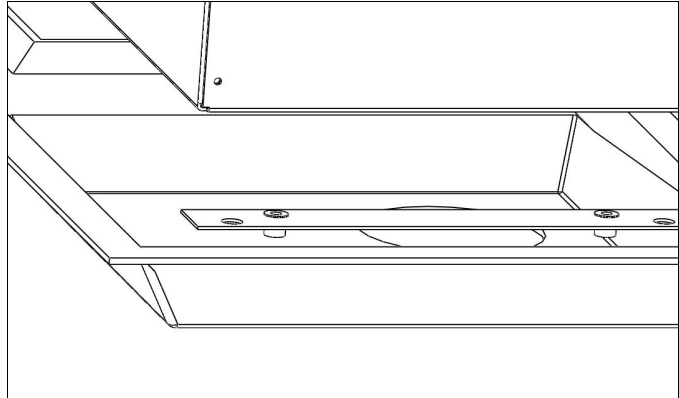


## VISIONAIRE 7000 SERIES INSTALATION KIT

36-7000-002 - BOLT KIT

- 8EA. 5/16" X 1.5" GRADE 5 BOLT
- 8EA. 5/16" FLAT WASHER
- 8EA. 5/16" LOCK WASHER
- 2EA. 1/4" X 3/4" BOLT
- 2EA. 1/4" X 2" BOLT
- 2EA. 1/4" X 1.75" BOLT
- 2EA. 1/4" X 3" BOLT
- 4EA. 1/4" WASHER



---

MARK AND CUT OPENINGS FOR AIR INLET AND OUTLET. CAREFULLY DRILL HOLES FOR 8 5/16" MOUNTING BOLTS. PLACE AIR CONDITIONER AND HAND START ALL BOLTS. USE BLUE LOCKTITE OR SIMILAR THREADLOCK (NOT SUPPLIED). NOTE THAT THE 4 BOLTS SURROUNDING THE AIR INLET AND OUTLET PASS THROUGH THE CONSOLE BRACKETS (IF USED). TIGHTEN ALL BOLTS EVENLY TO COMPRESS THE GASKET FROM 3/8" TO APPROXIMATELY 1/4". OVERCOMPRESSING THE GASKET WILL CAUSE LEAKS.

VARIOUS 1/4" BOLTS ARE PROVIDED TO ALLOW THE CONSOLE TO BE INSTALLED OVER VARIOUS HEADLINER MATERIALS. BE SURE TO MAINTAIN SEPARATION BETWEEN THE AIR INLET AND OUTLET.

CAUTION: IF CONSOLE IS NOT USED ENSURE THAT THE OUTLET FINGER GUARD IS IN PLACE. CALL VISIONAIRE FOR A FREE REPLACEMENT FINGER GUARD IF IT IS MISSING OR DAMAGED.